



Electrolux

Instruction Book

使用說明手冊

사용 설명서

Sách Hướng Dẫn

Buku Petunjuk

คู่มือการใช้งาน

کتاب التعليمات

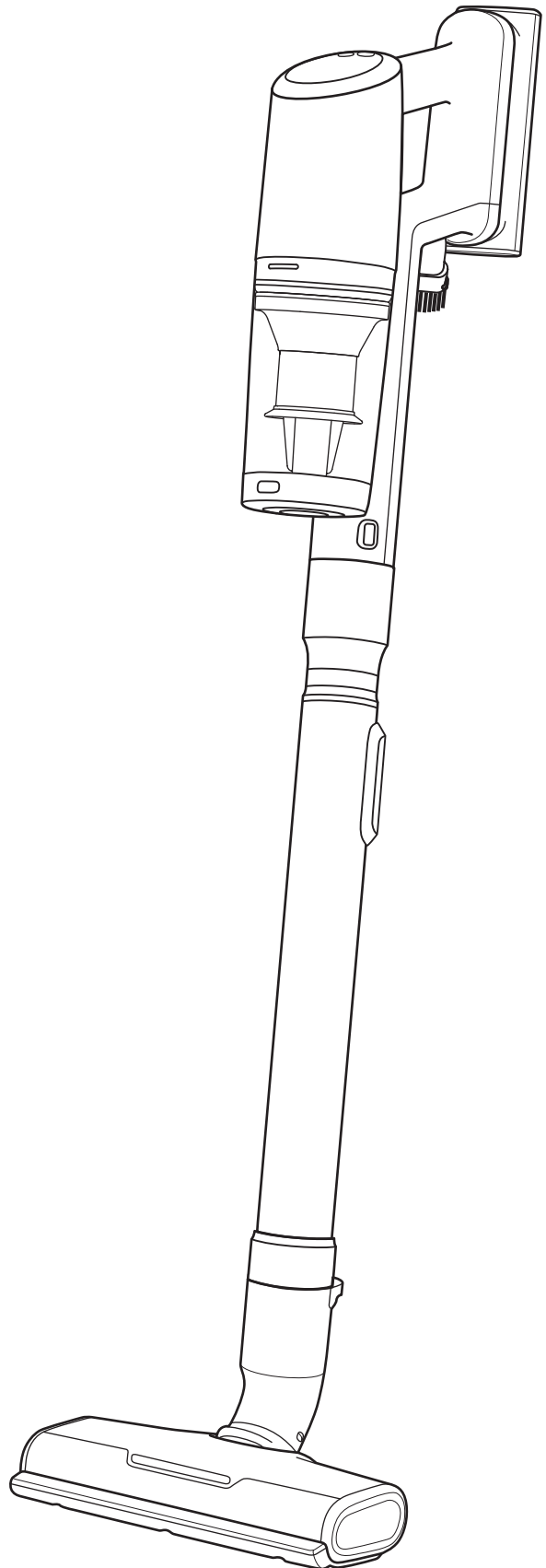
800 CORDLESS CLEANER

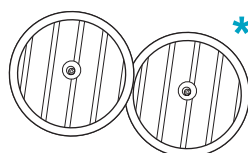
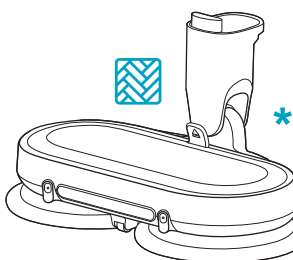
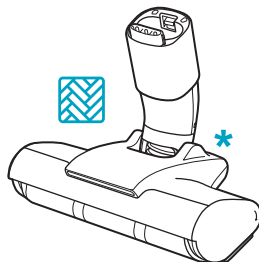
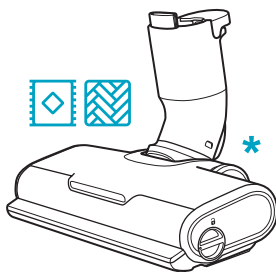
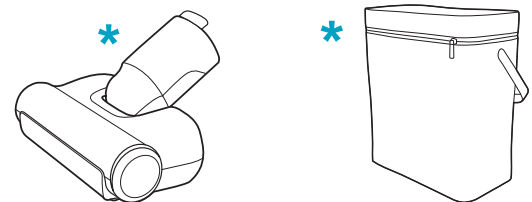
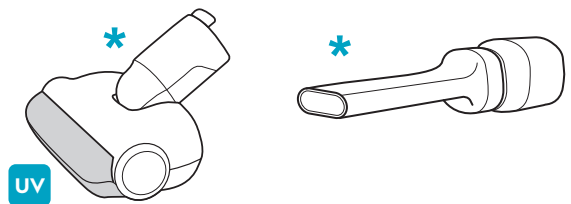
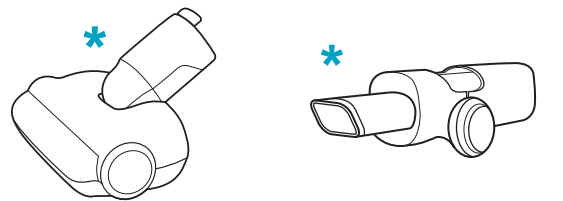
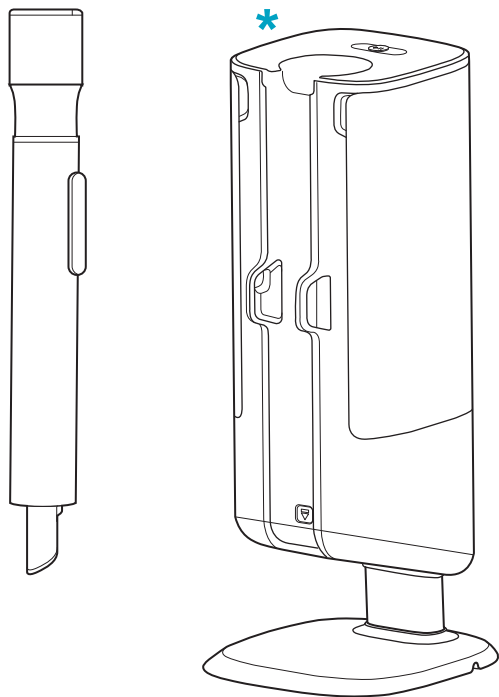
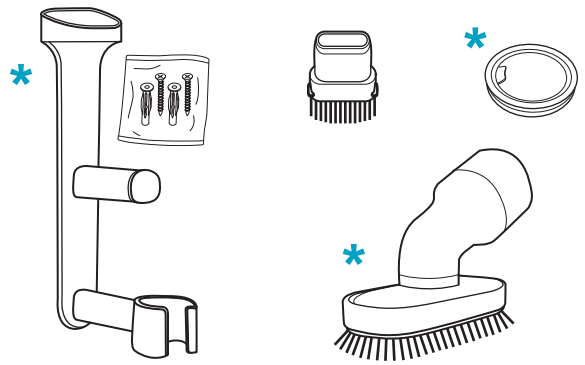
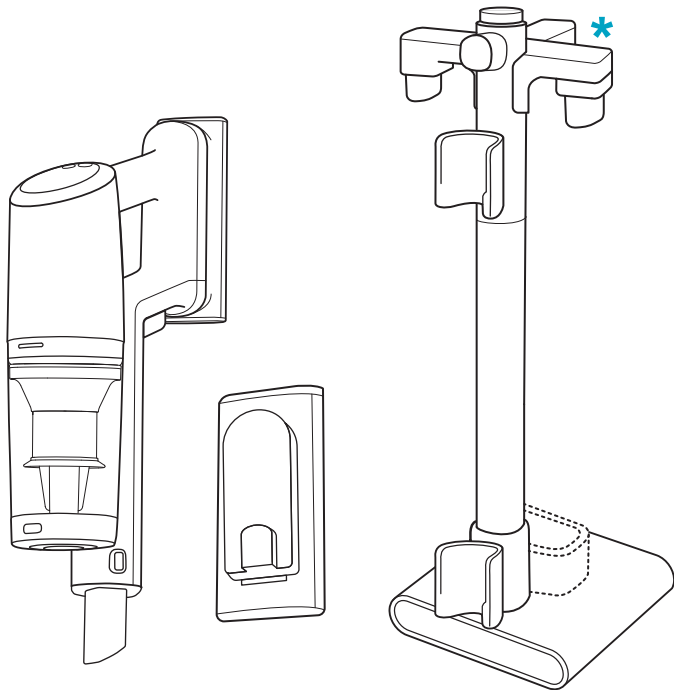
EFP81812W/EFP81813B/EFP81814

EFP81824/EFP81825A/EFP81825/

EFP81812S/EFP81824S/EFP81825SB/

EFP81835S





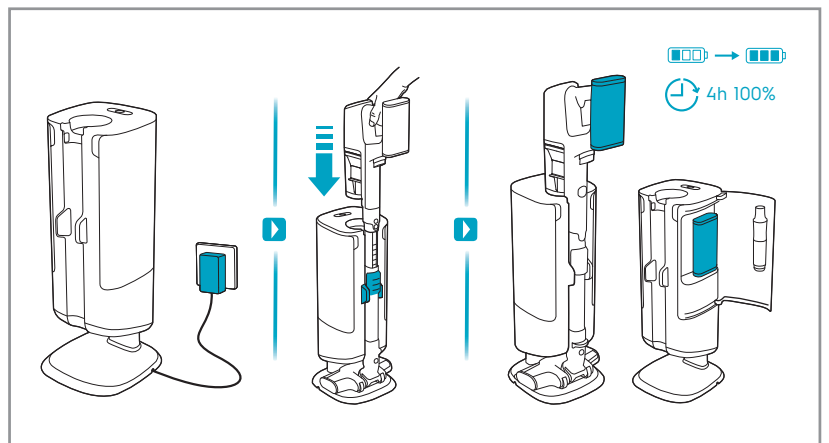
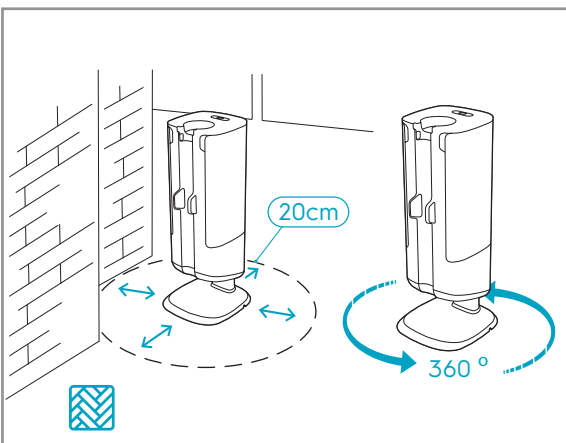
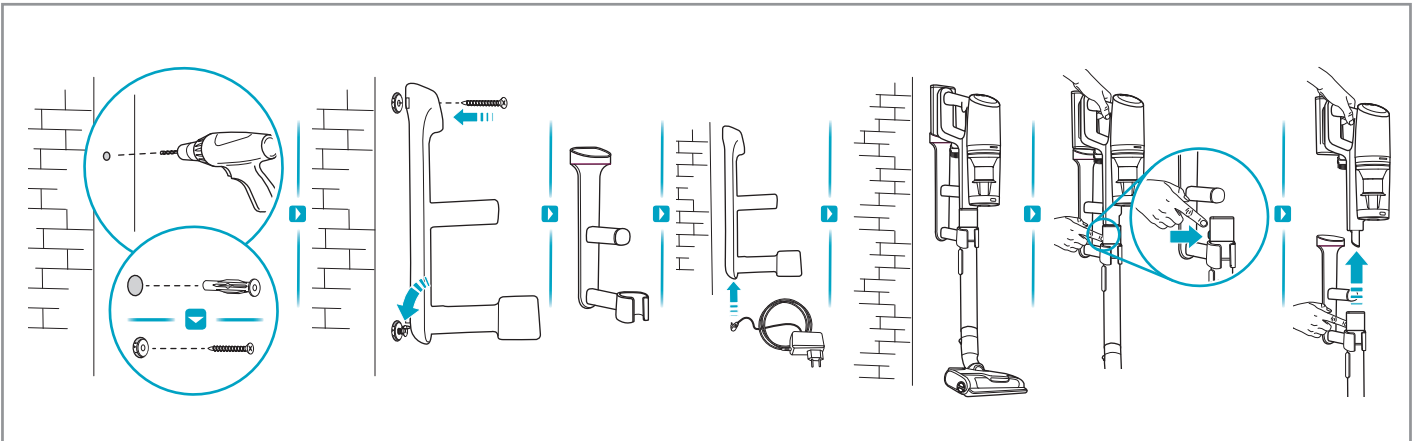
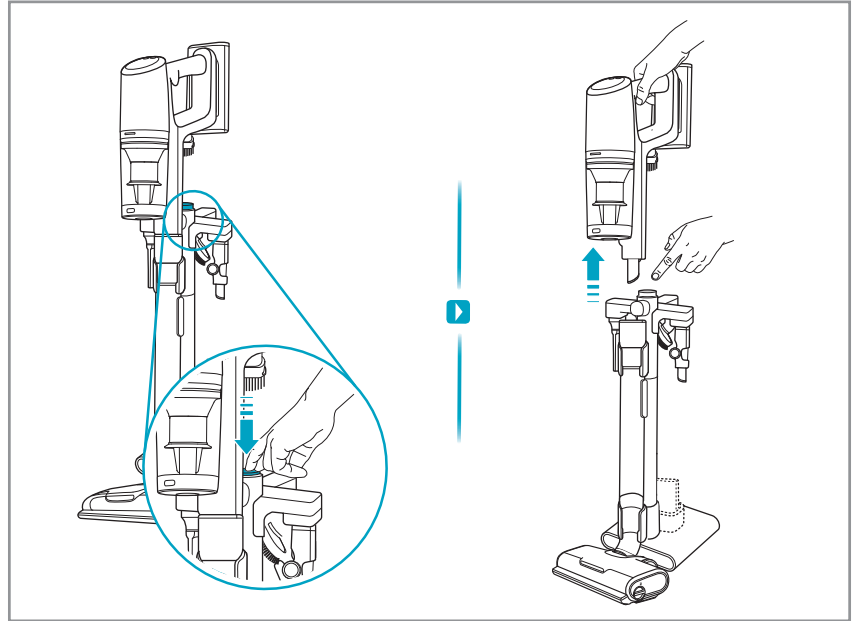
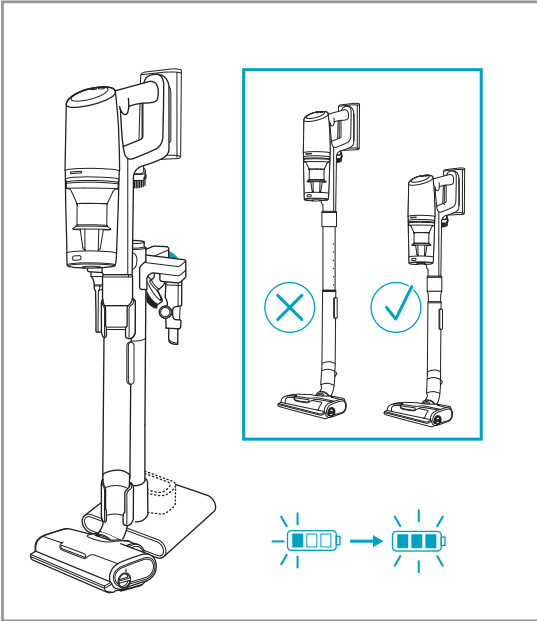
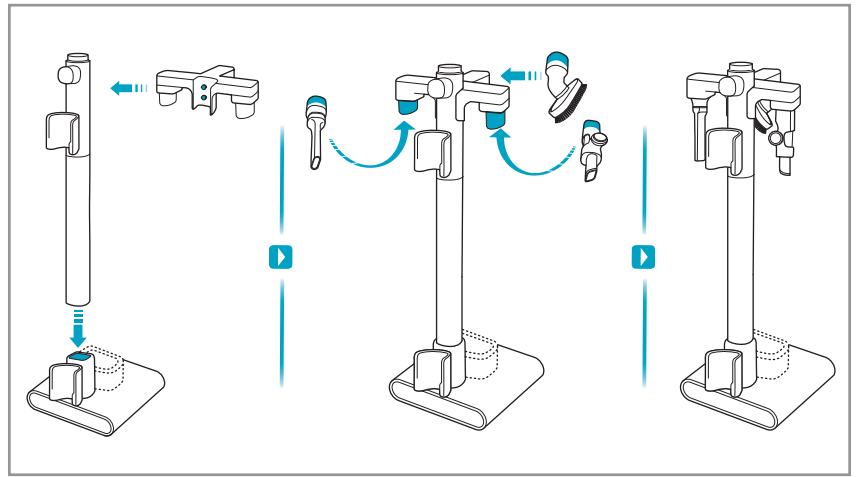
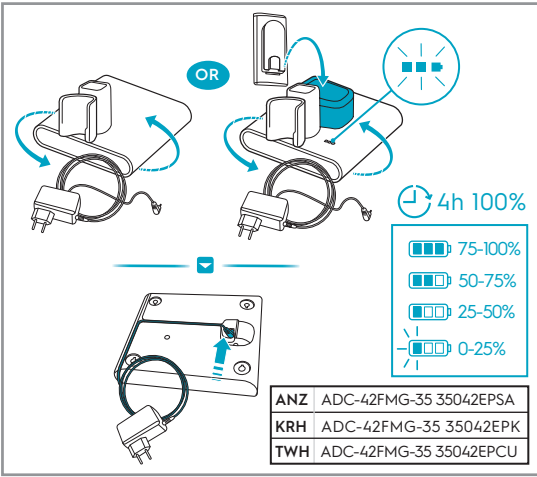
* Available in specific models only.
 只適用於指定型號
 특정 모델에만 해당 됩니다.
 Chỉ có ở một số kiểu máy nhất định.
 Tersedia hanya pada model tertentu.
 มีเฉพาะบางรุ่นเท่านั้น
 متوفر في نماذج محددة فقط

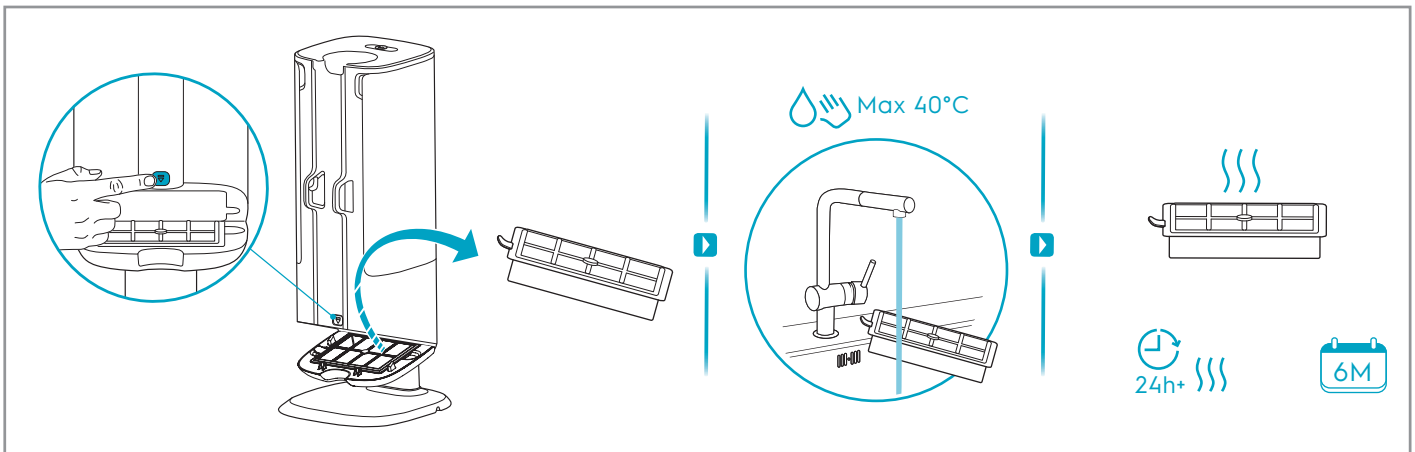
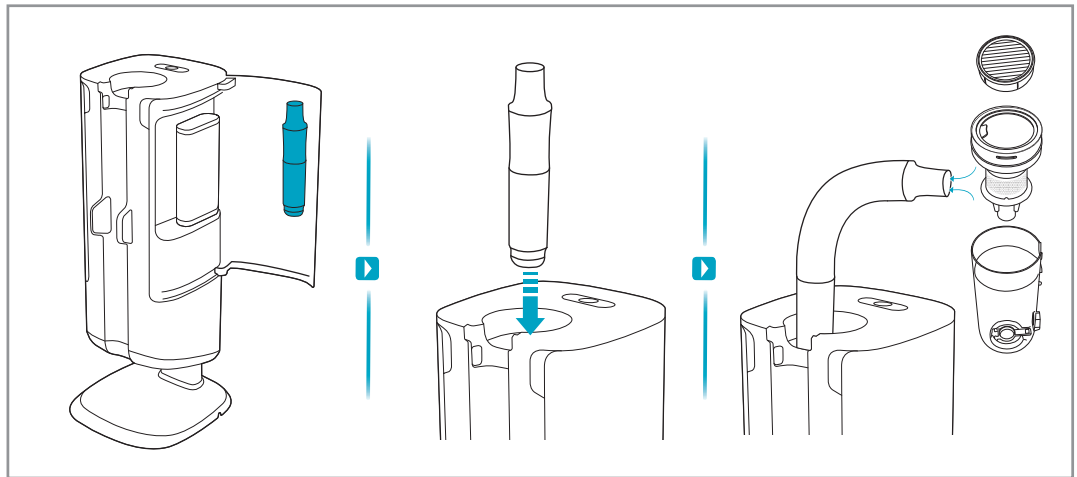
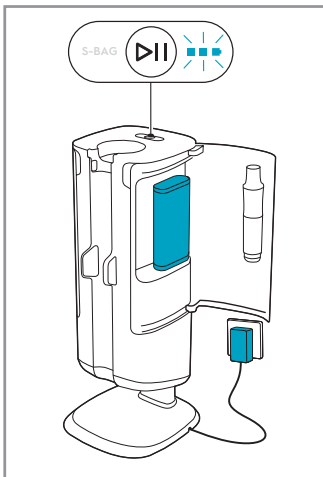
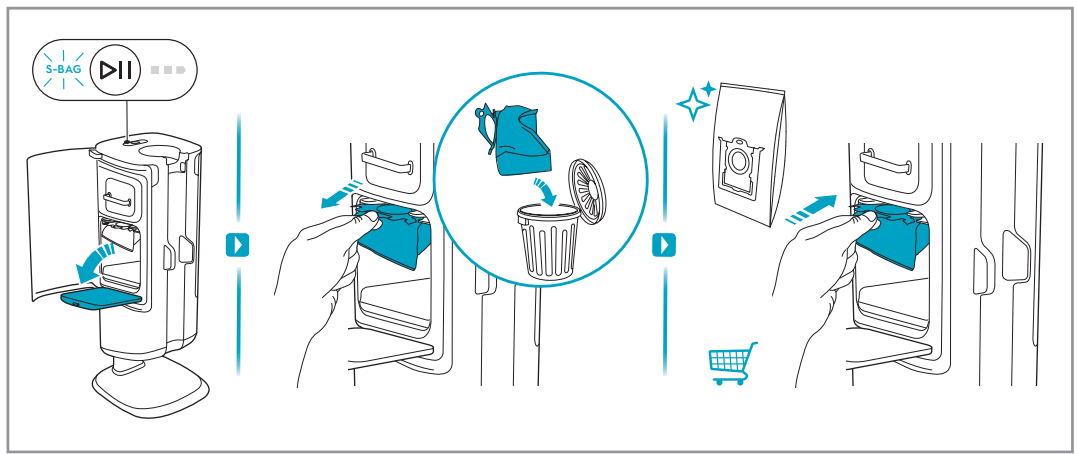
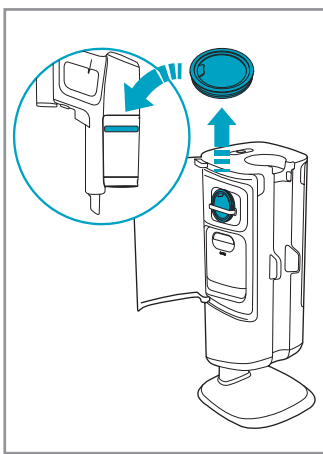
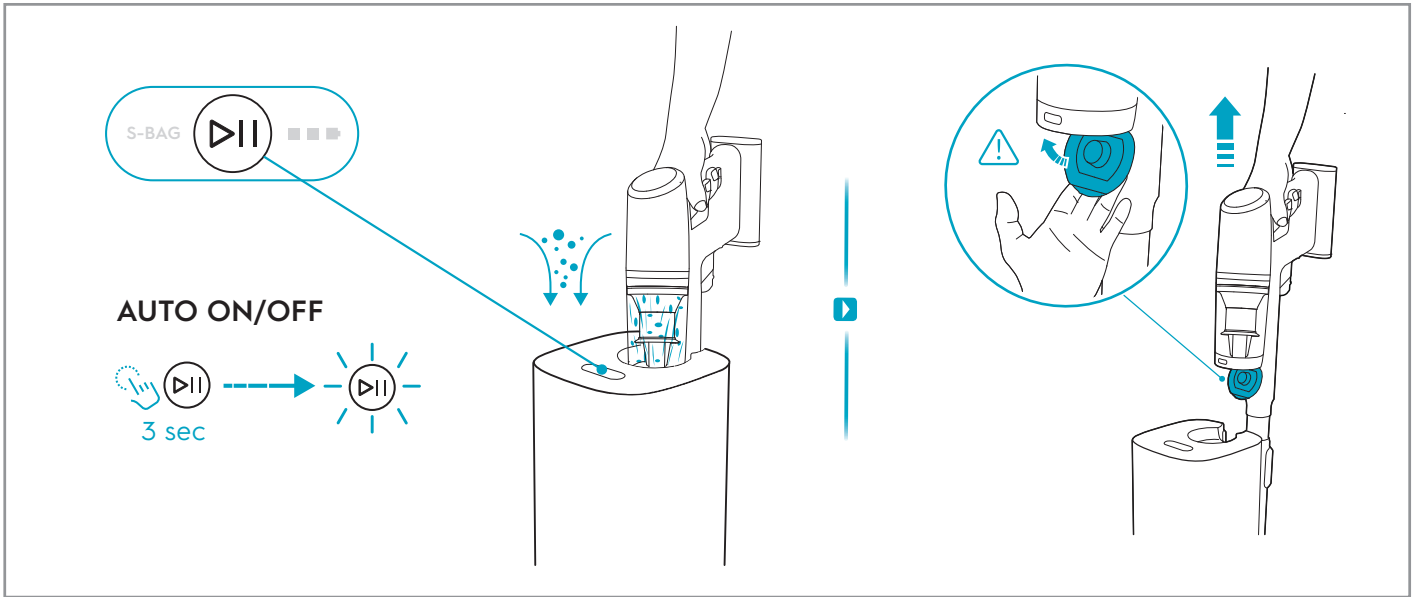


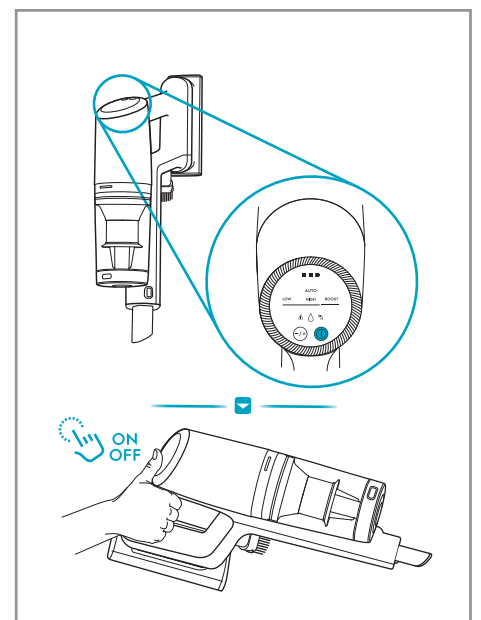
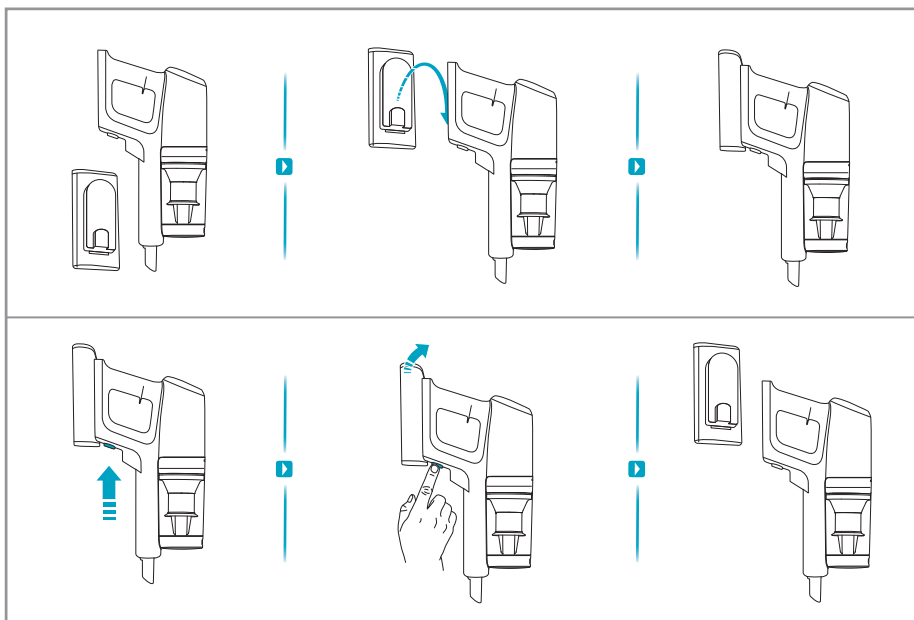
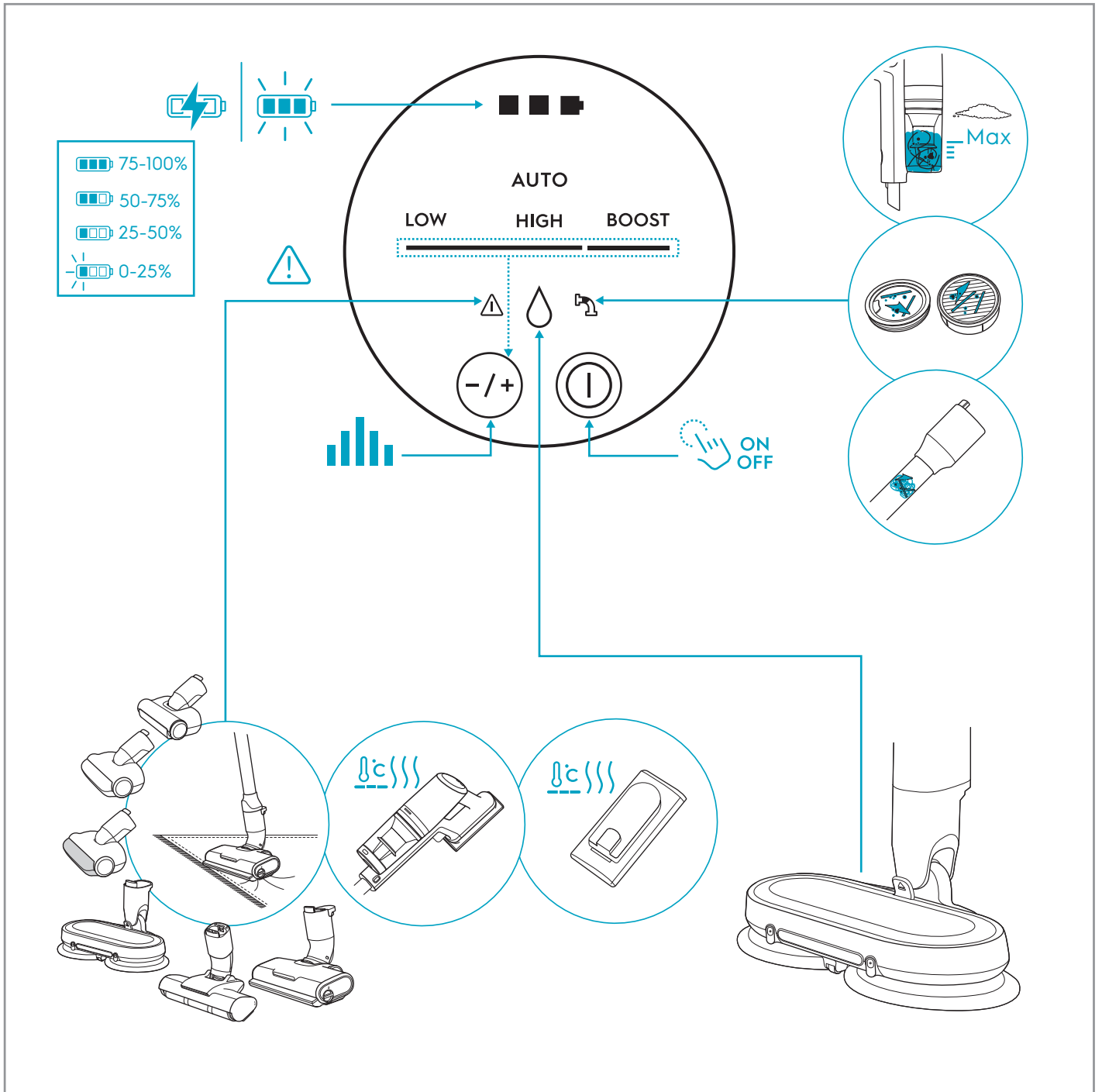
Carpet

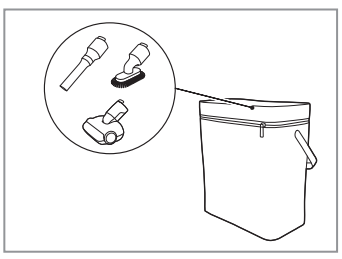
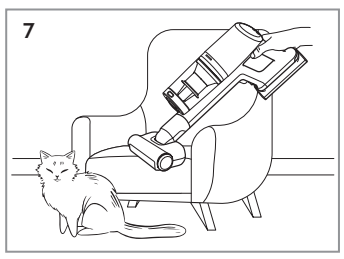
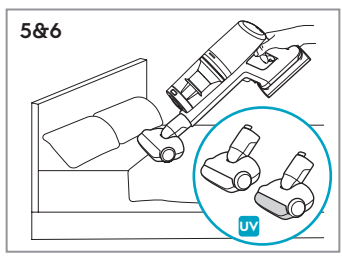
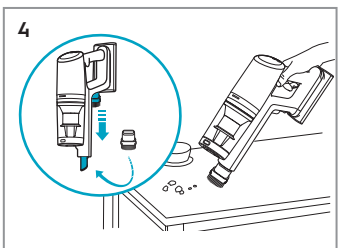
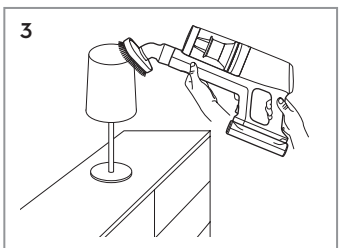
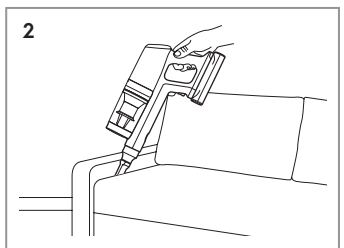
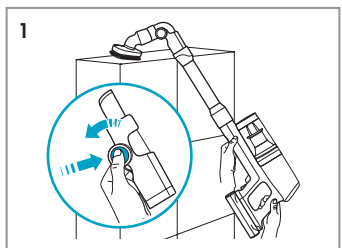
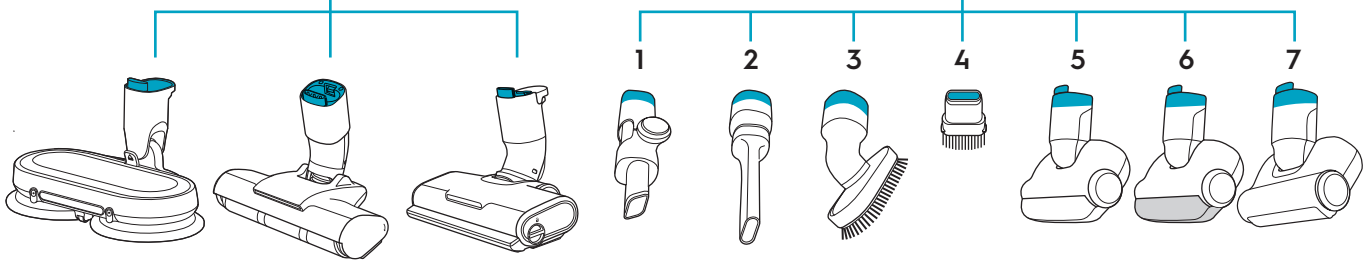
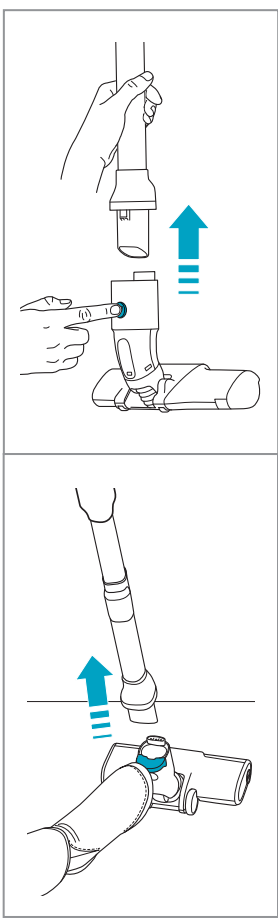
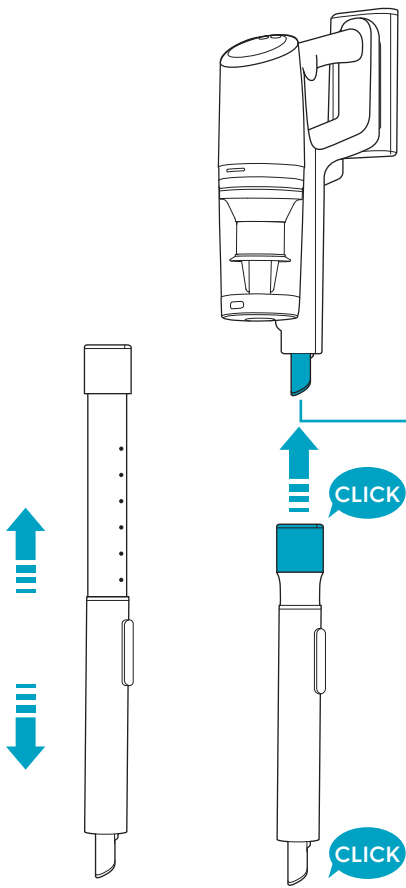


Hard Floor

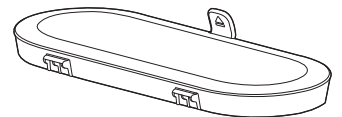
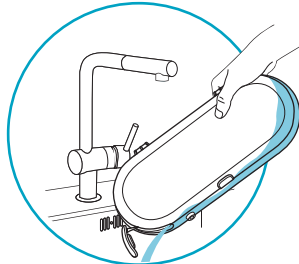
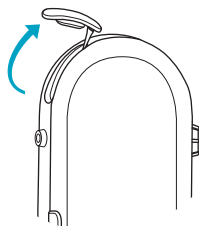
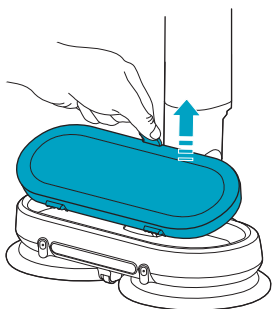
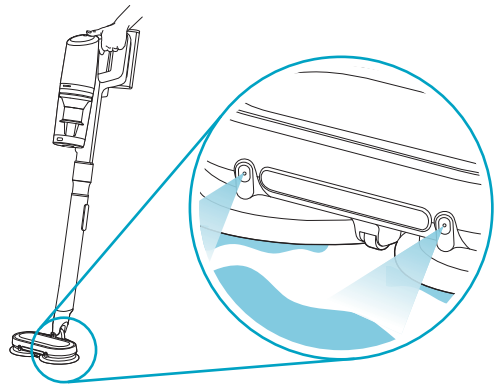
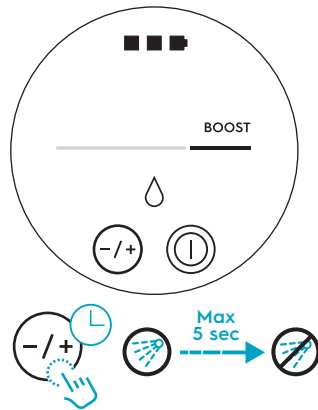
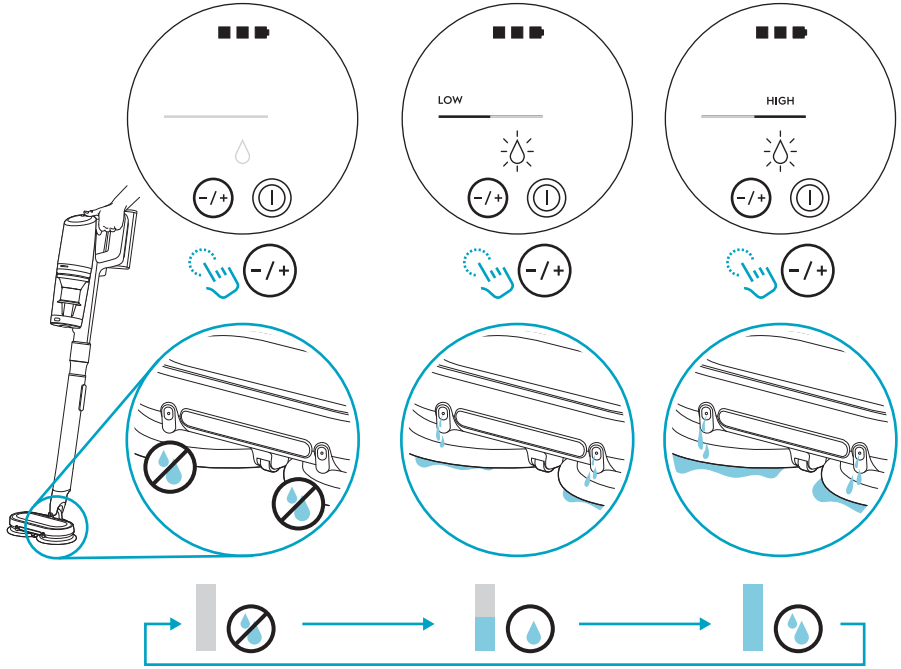
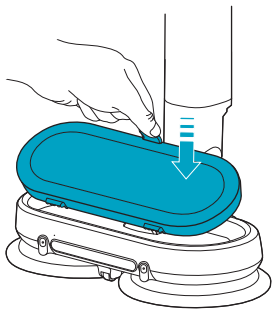
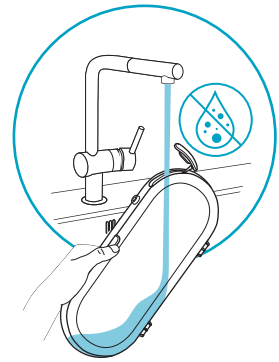
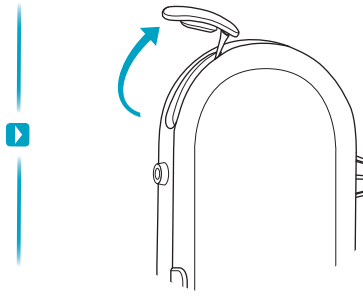
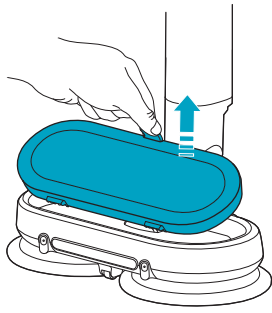




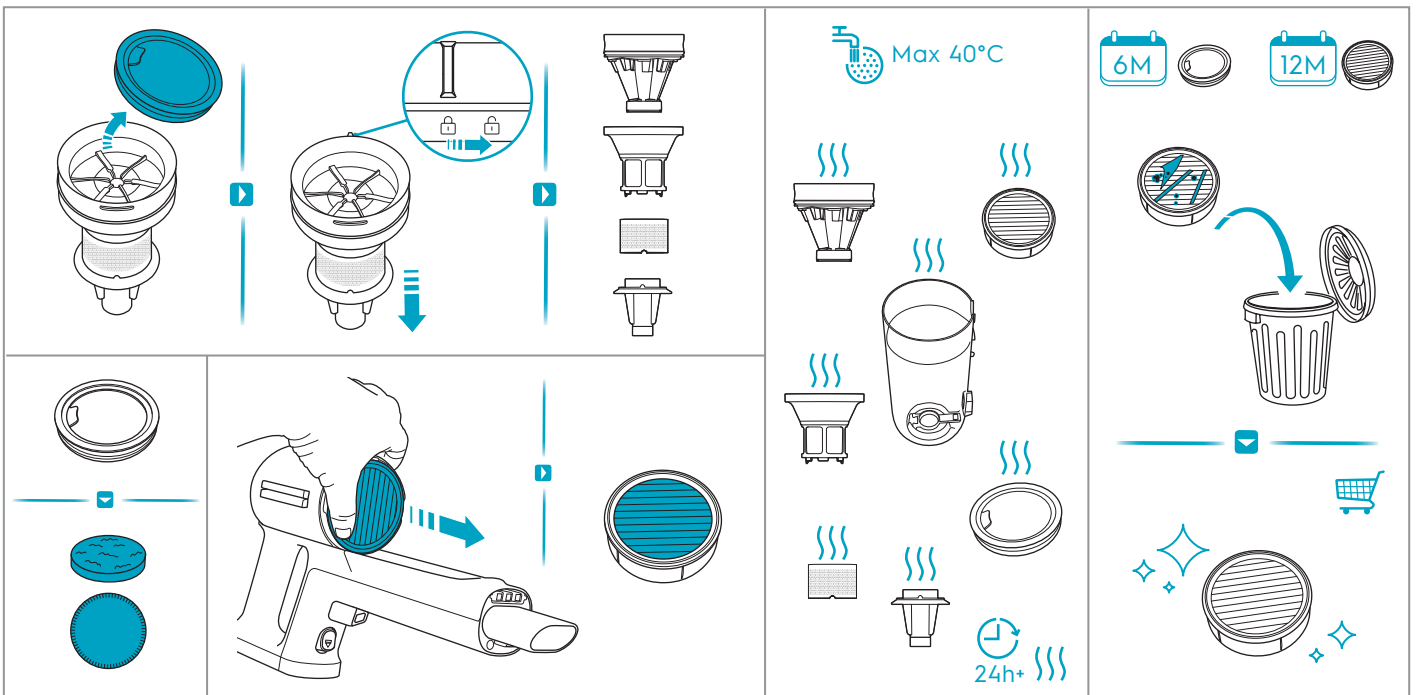
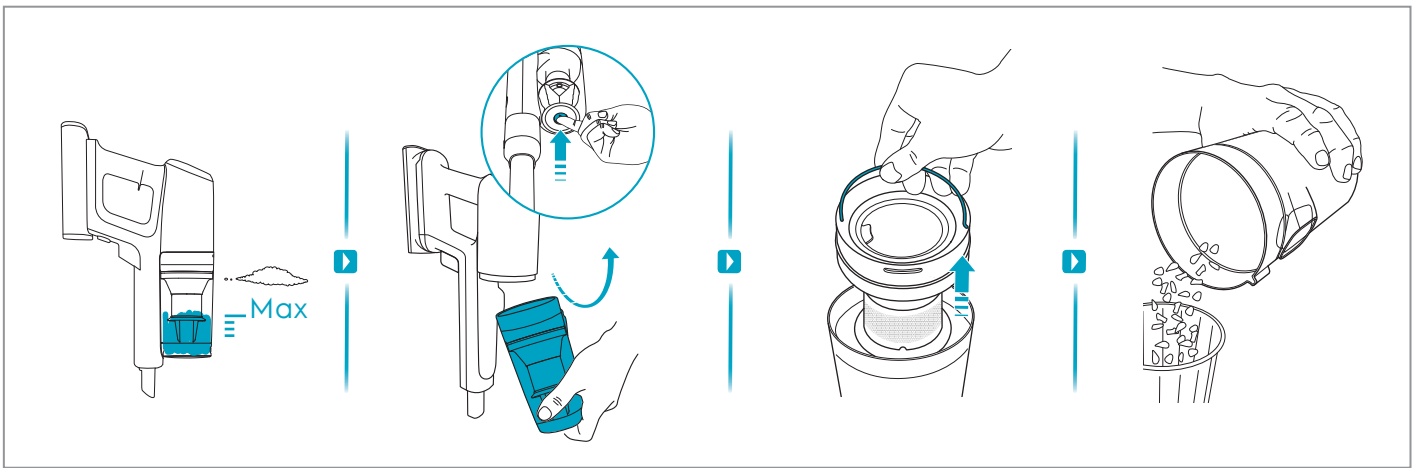
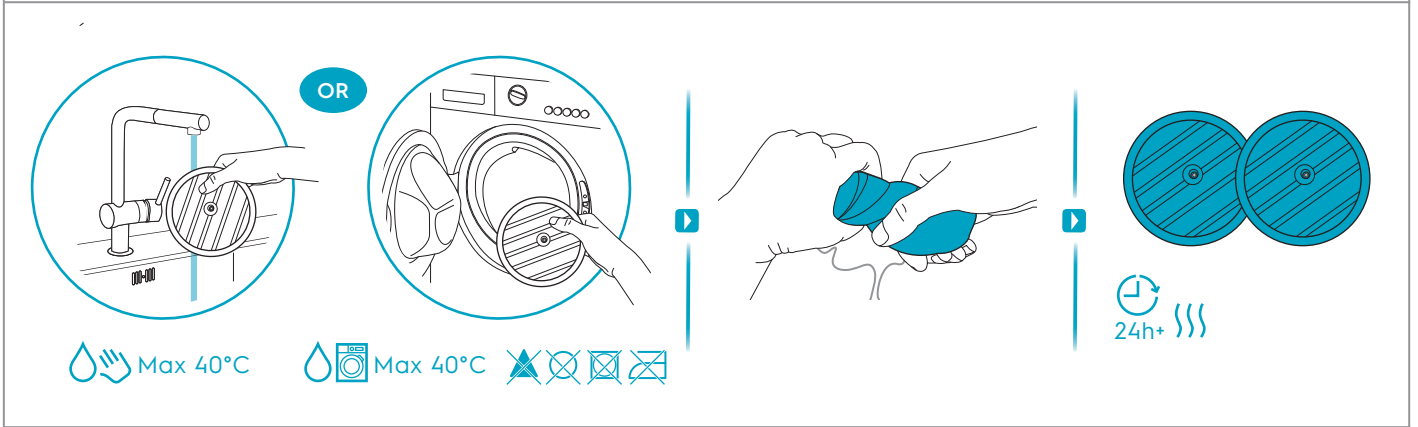
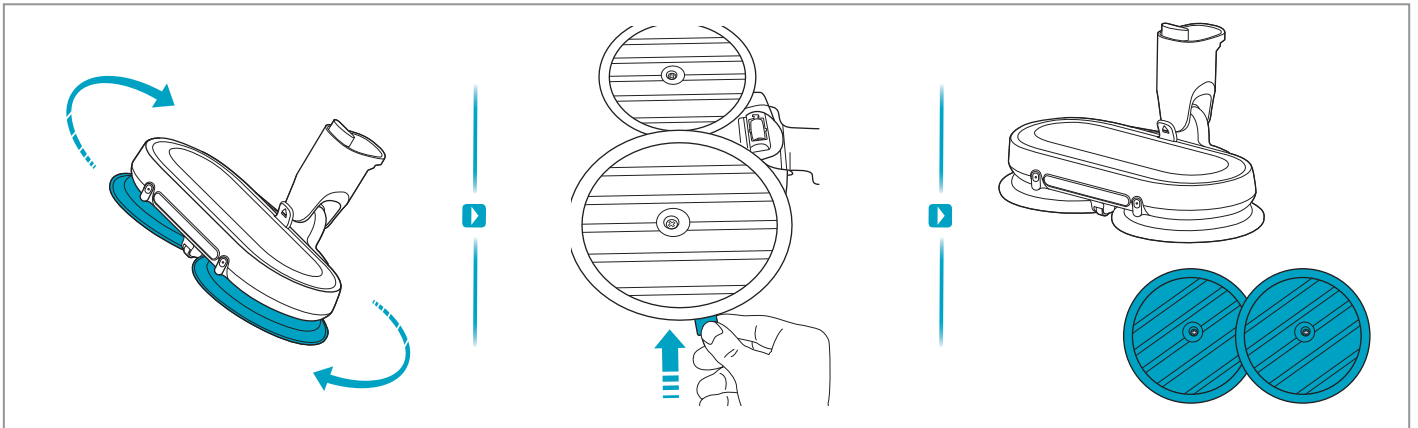


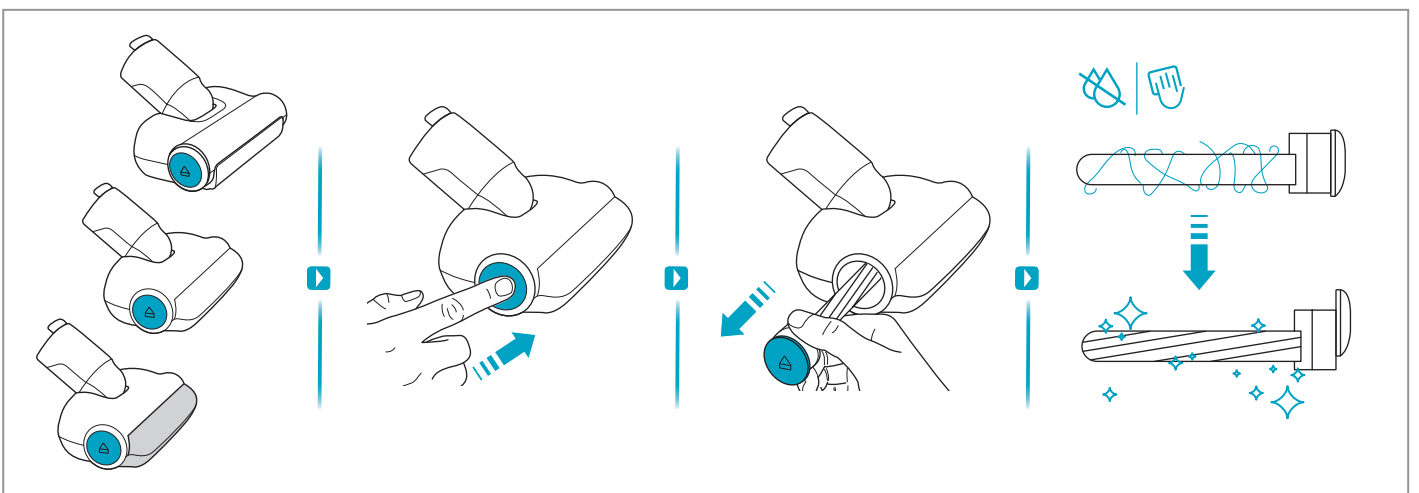
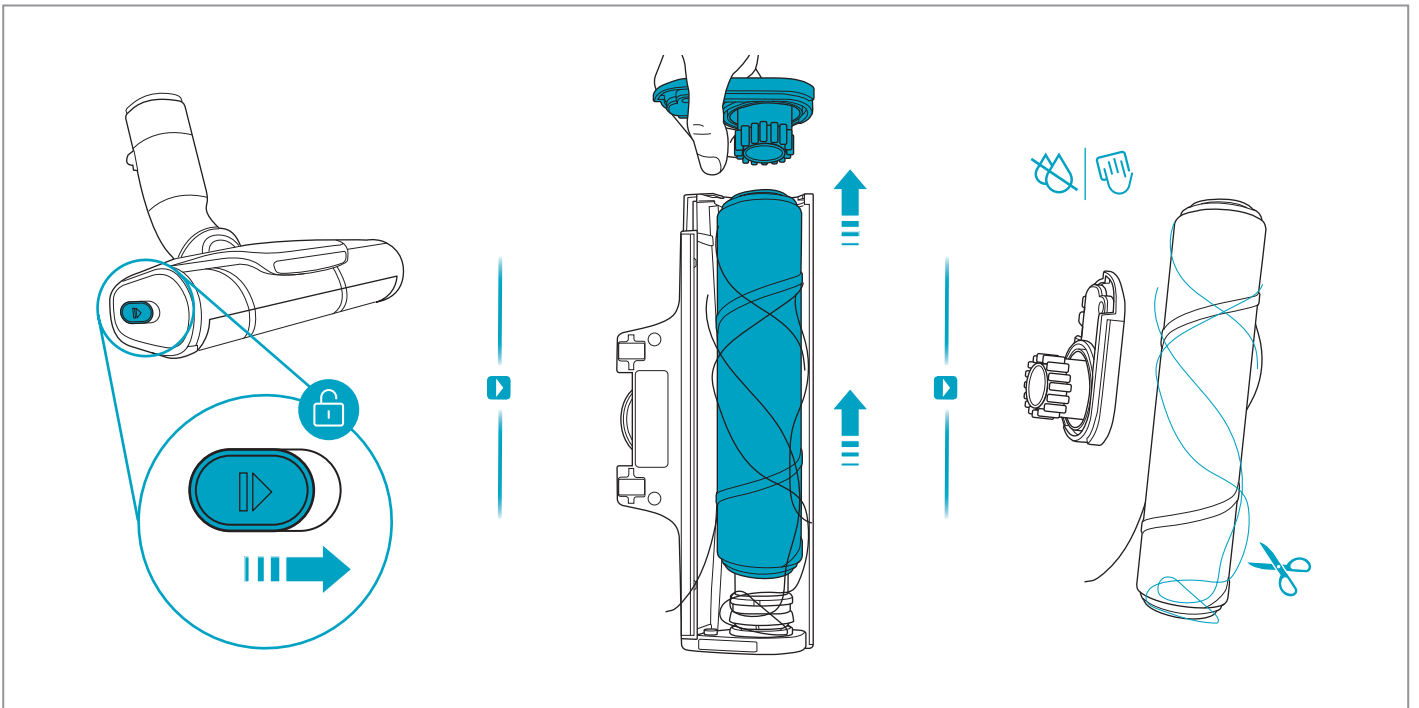
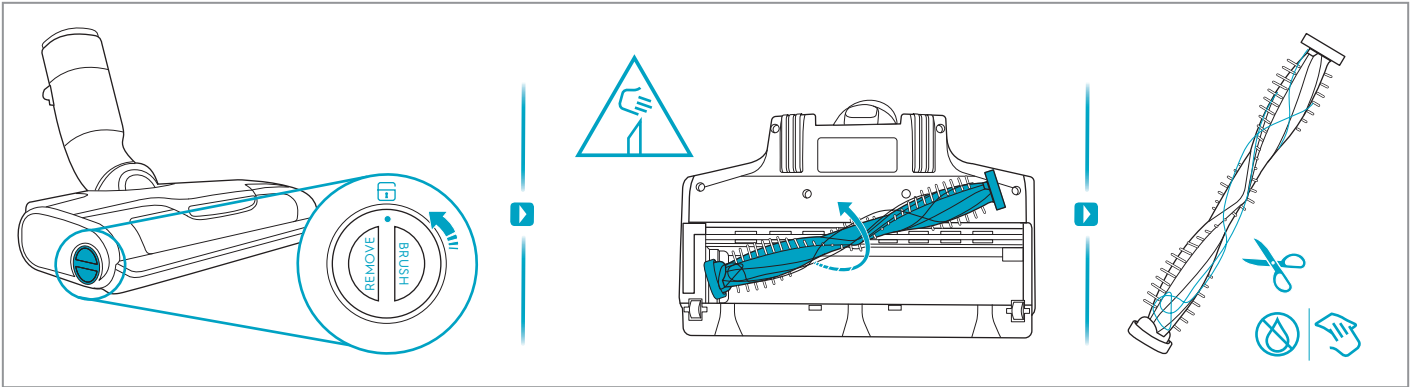
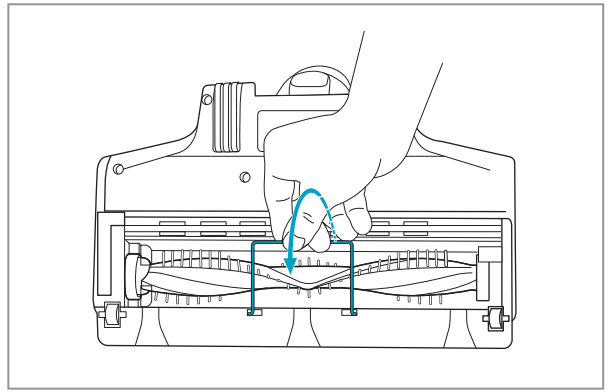
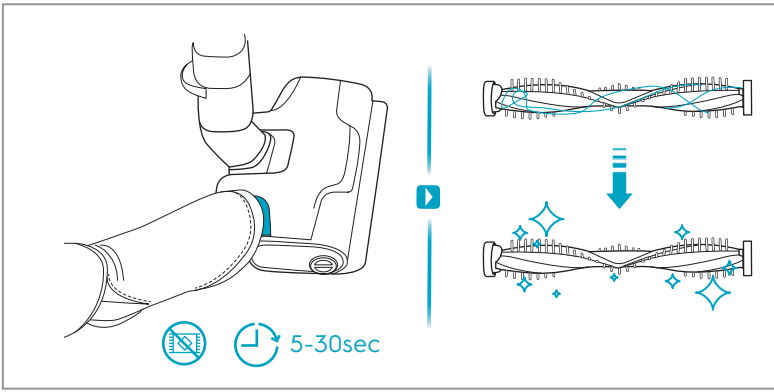


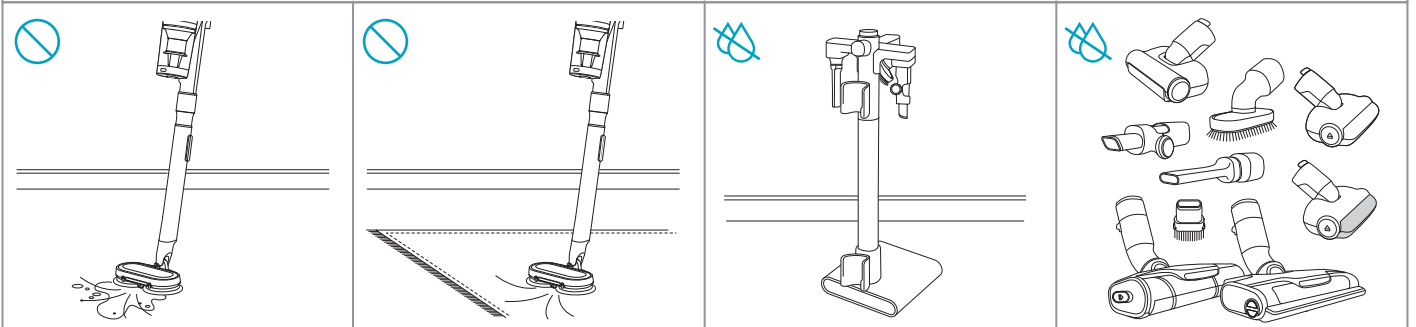
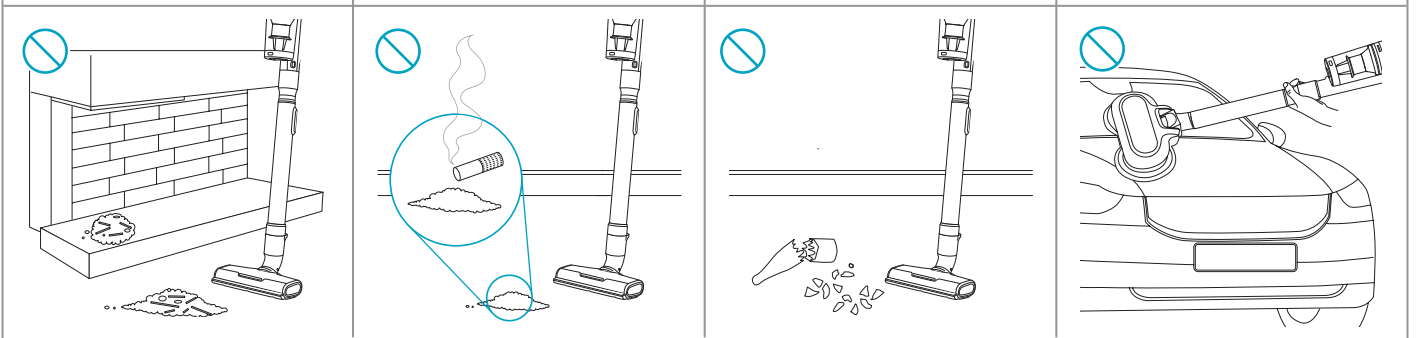
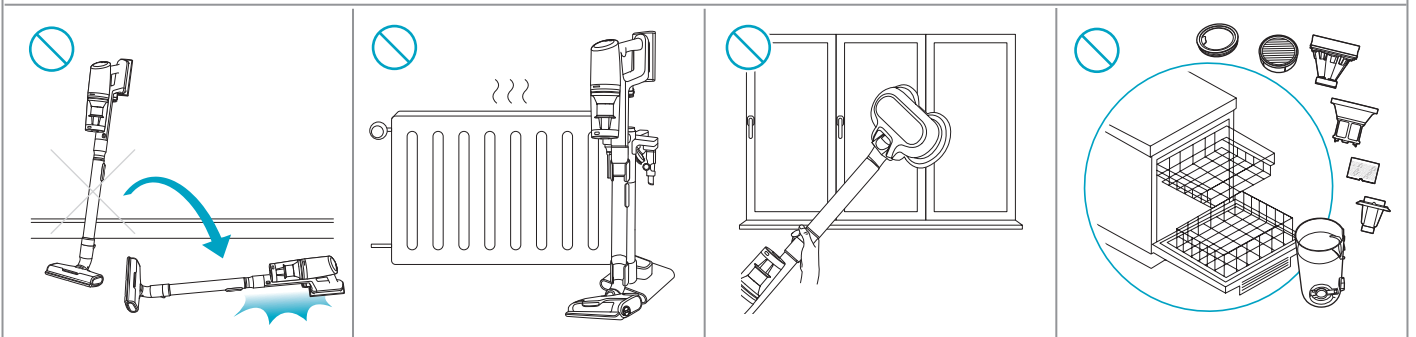
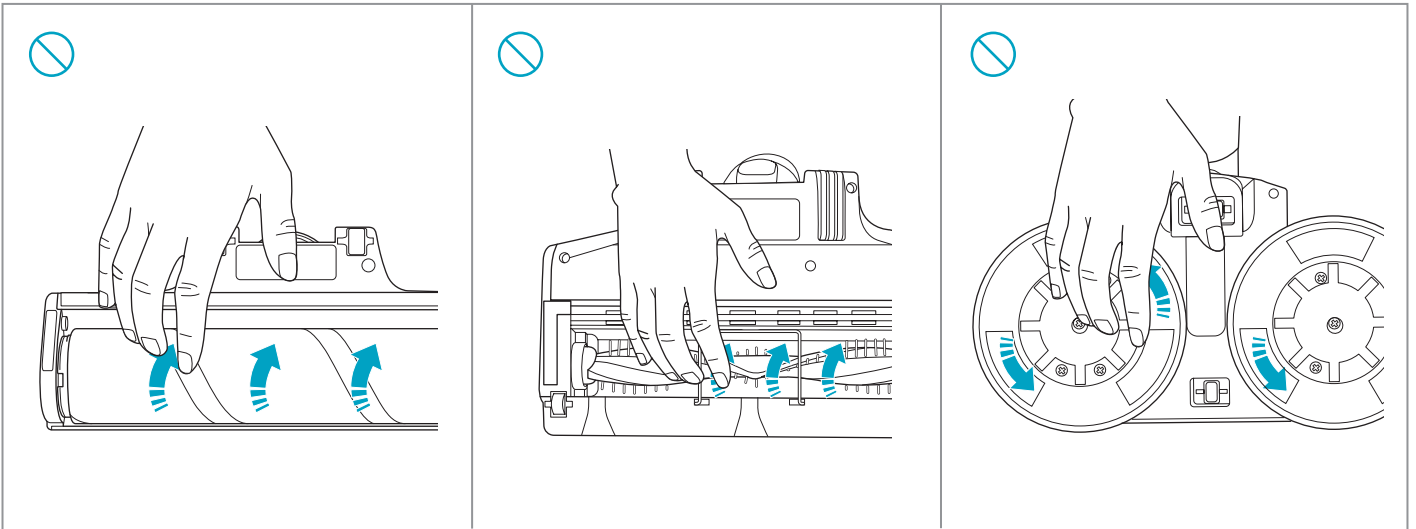
Max 40°C



24h+









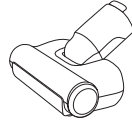
www.shop.electrolux.com



ESKW6

900 923 742

**Yearly
Performance Kit**



ZE155

900 923 379

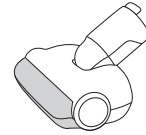
PetPro+



ZE149

900 923 380

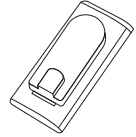
BedProPower+



ZE149A

900 923 381

BedProPowerUV+



ZE190

900 923 812

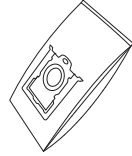
**Extra Battery
4.0Ah/100Wh**



EPPCS2

900 923 550

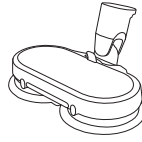
**PowerPro
Cleaning Station**



E201S

900 168 458

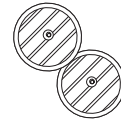
**S-bag for
Emptying Station**



ZE177

900 923 744

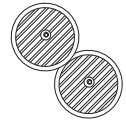
**PowerPro
Mop+ Nozzle**



ZE158

900 923 440

Standard Pads



ZE159

900 923 442

Delicate Pads

*Accessories are subject to country availability.

