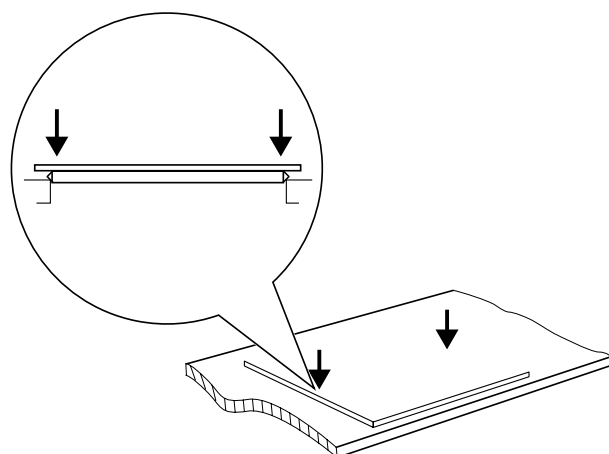
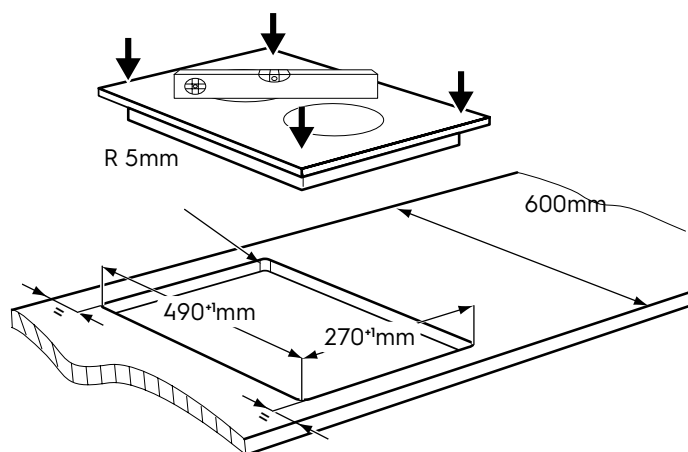


Dimension Guide

Induction cooktop

Model:
EHI321BFA

Dimensions			
	width	height	depth
Cut-out (mm)	270	51	490
Product (mm)	300	51	520



IMPORTANT

It is recommended to centre the bench cutout with equal distance front and back as shown but the product has also been certified to be installed with no clearance between the rear edge of the cooktop glass and rear wall if required. In doing so, installers still need to leave sufficient clearance to take into account that the glass dimensions are larger than the cut out.

Please note! Dimensions to be used as a guide only. All customers MUST refer to the user manual supplied with the product for detailed installation instructions.

© 2024 Electrolux S.E.A PTE. LTD. ELX_DIM_EHI321BFA_Jan24



Electrolux