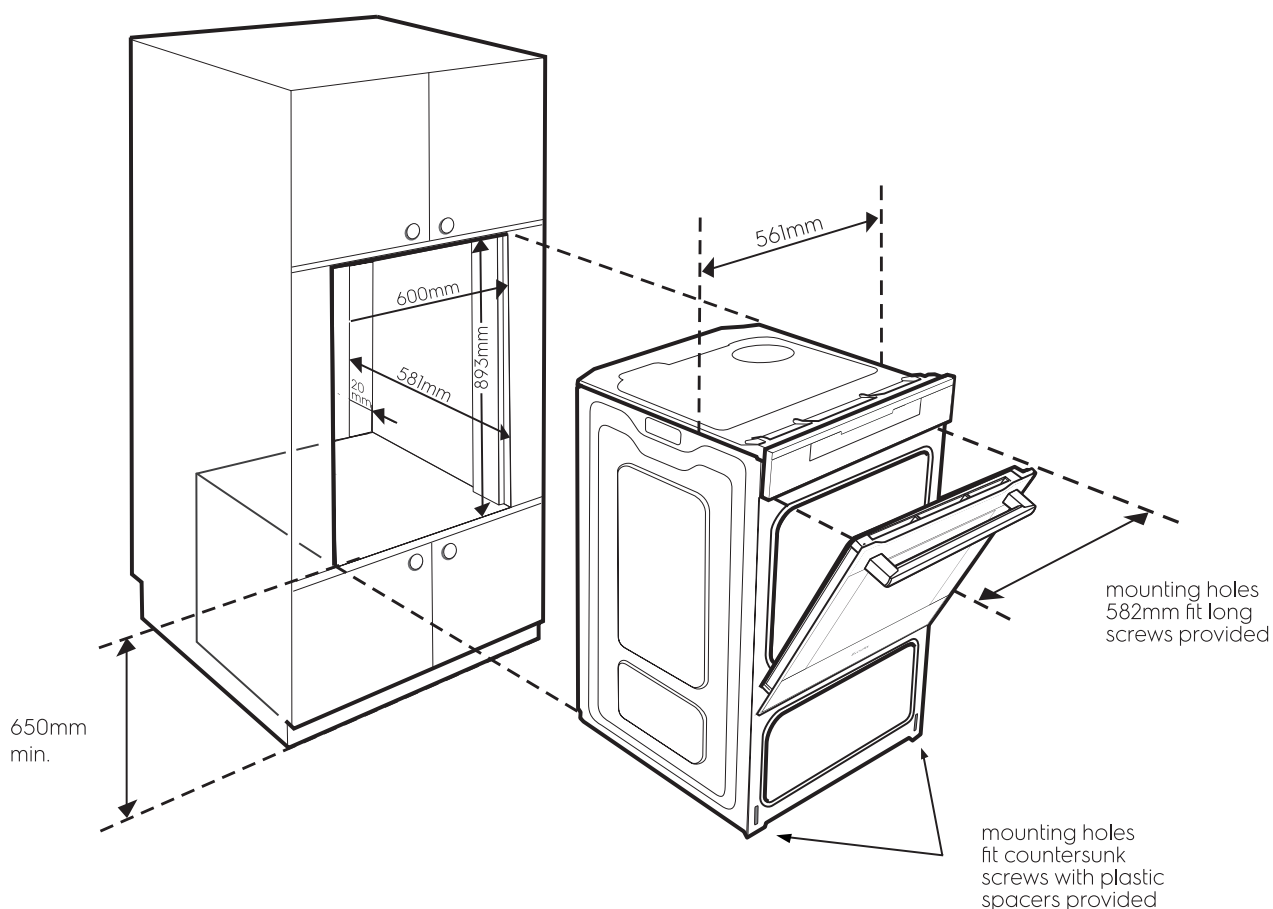


Dimension Guide

Built-in Double Oven

Model:
EVEP626DSE

Dimensions			
	width	height	depth
Cut-out (mm)	600	893	581
Product (mm)	596	890	572



***D - Dimension** For proper ventilation there must be a gap at the bottom rear of the cabinet. This can be a slot 20mm deep or an equivalent, full width opening (e.g. a series of holes) with a min area of 120cm². The opening must be clear of the product when fully installed. This is a requirement of any EVExxxxx and Duo models. If the supply cord is damaged it must be replaced by the manufacturer, its service agent or similarly qualified persons in order to avoid a hazard.

Please note! Dimensions to be used as a guide only. All customers MUST refer to the user manual supplied with the product for detailed installation instructions.

© 2021 Electrolux S.E.A PTE. LTD. E_DIM_EVEP626DSE_Sep21