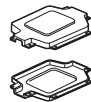
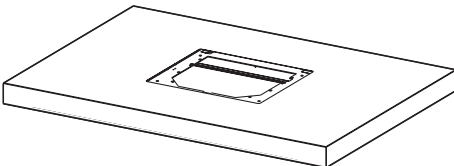
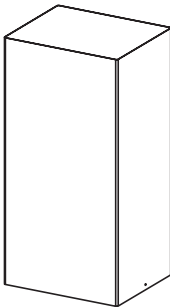
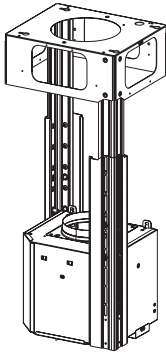
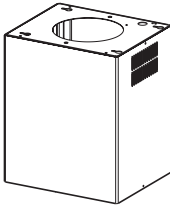
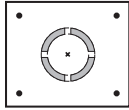







**EN** Warning! Before proceeding with installation, read the Recommendations and Suggestions in the User Manual.



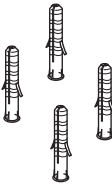
  
23 = **4x** M6

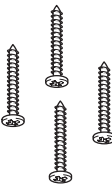
  
22 = **8x** Ø6

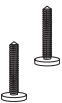
  
12c = **2x** 2,9x6,5

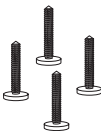
  
12q = **4x** 3,5 x 9,5

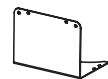
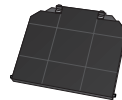
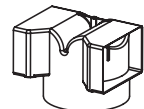
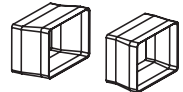
  
12e = **6x** 2,9x12,7

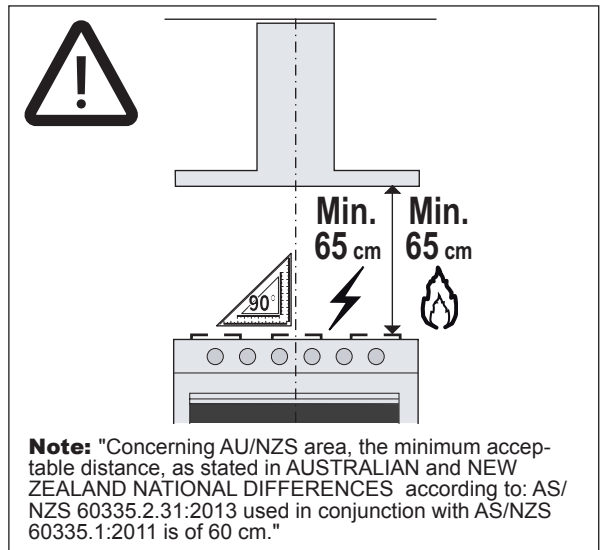
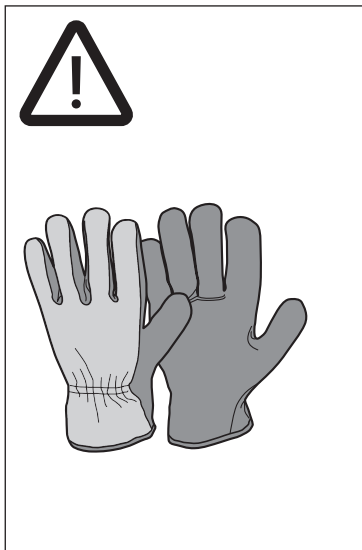
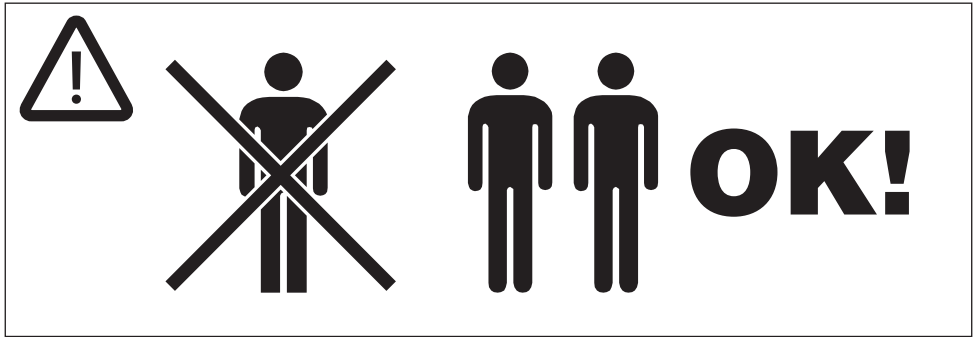
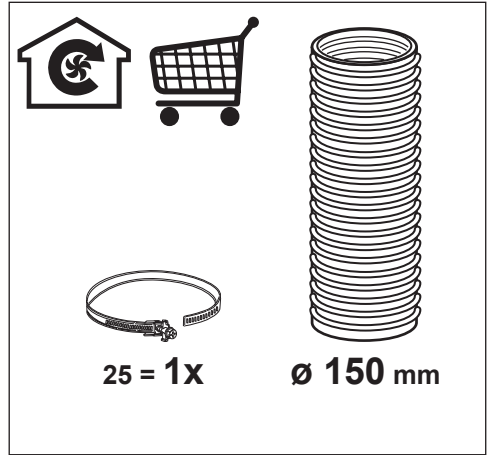
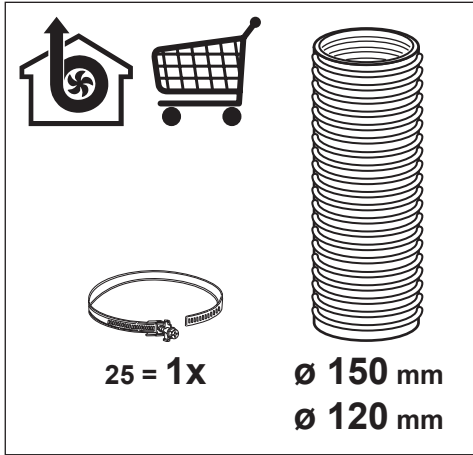
  
11 = **4x** Ø10

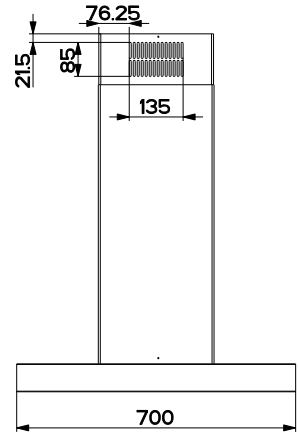
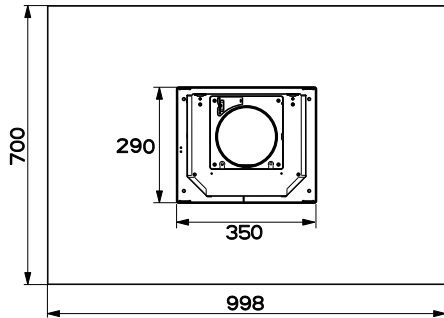
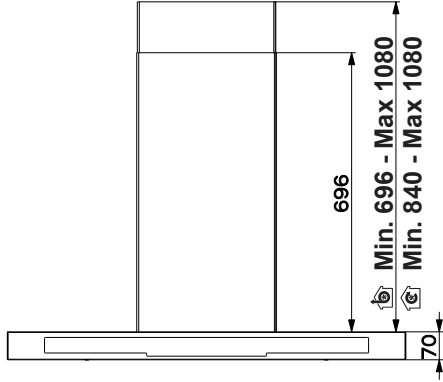
  
12h = **4x** 6x70

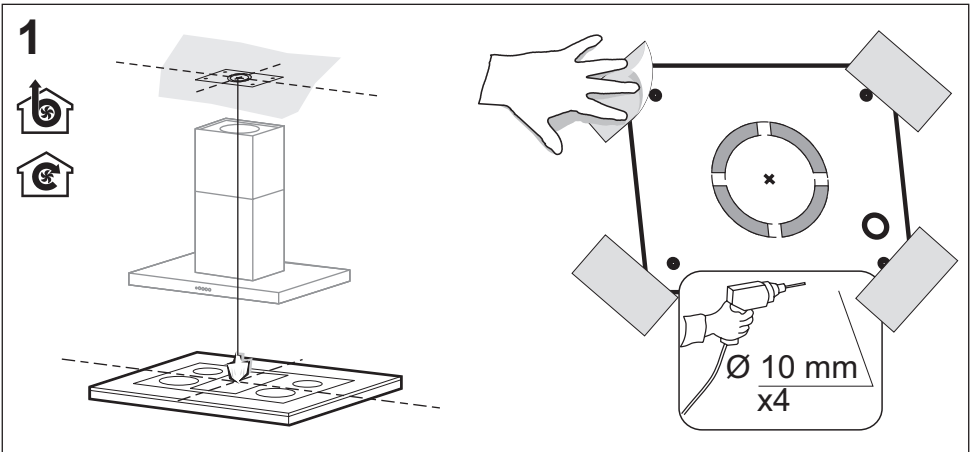
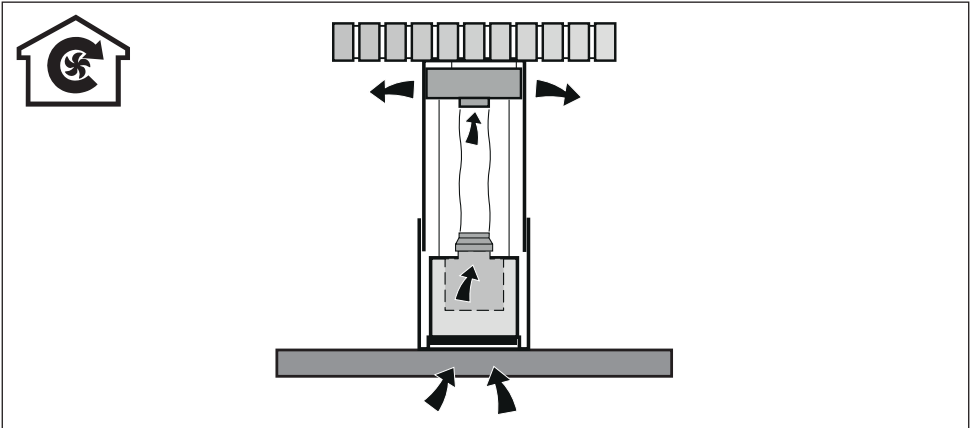
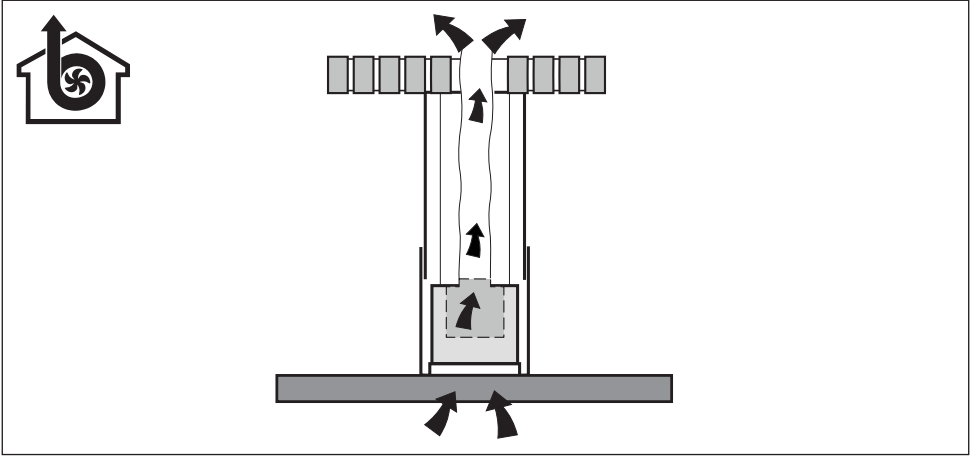
  
12f = **2x** M4x15

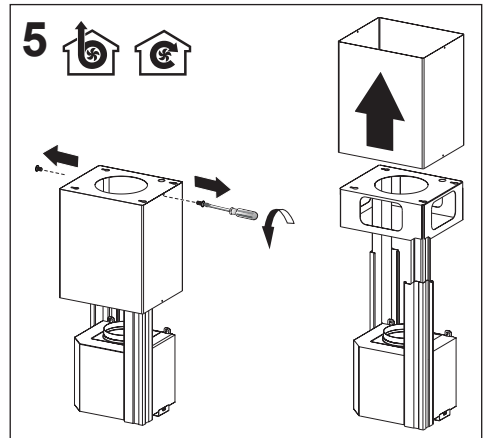
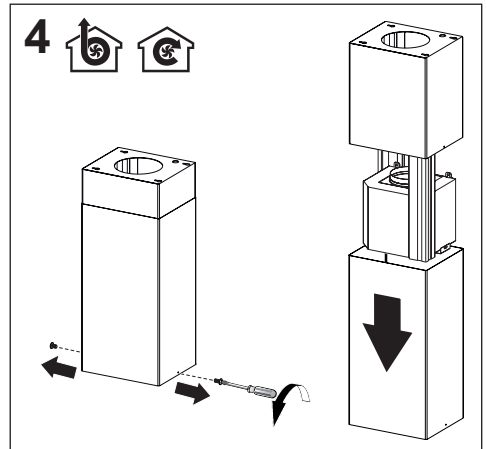
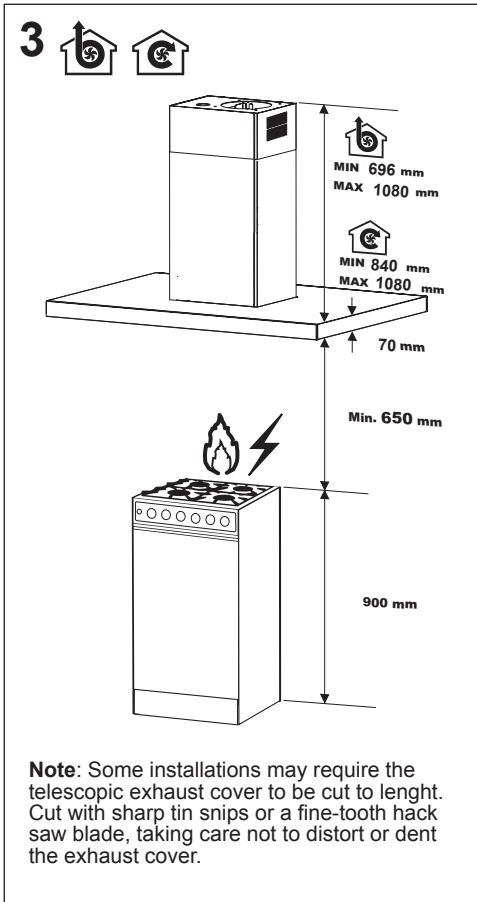
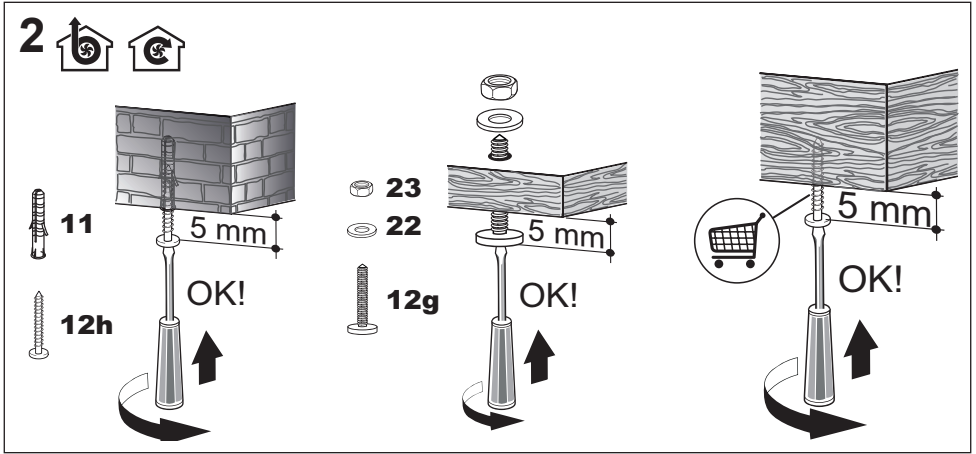
  
12g = **4x** M6 x80

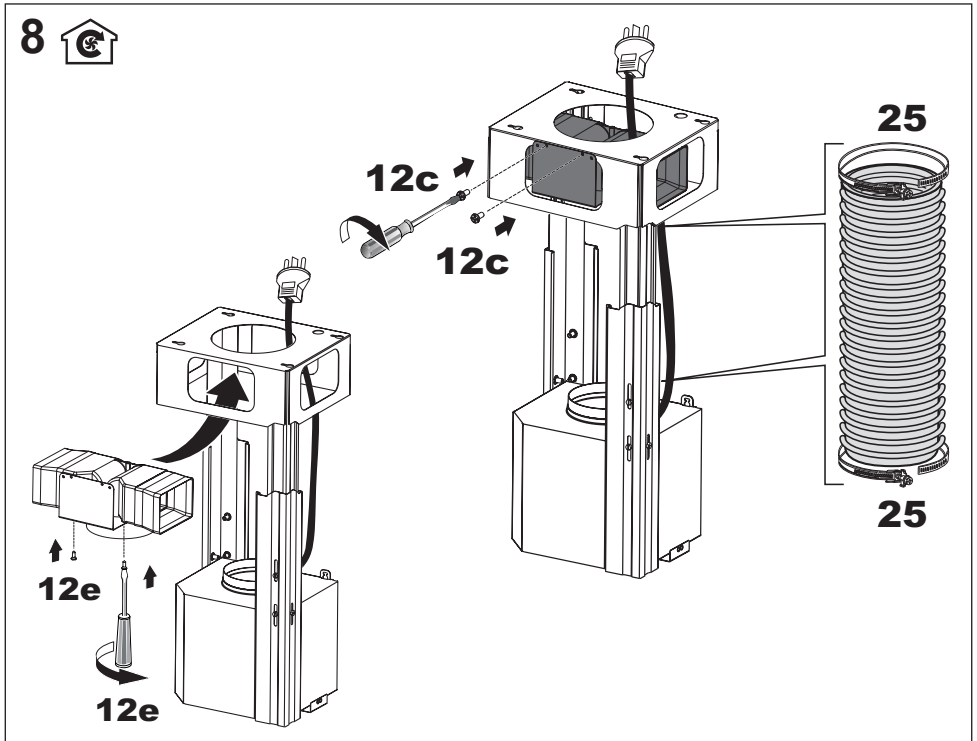
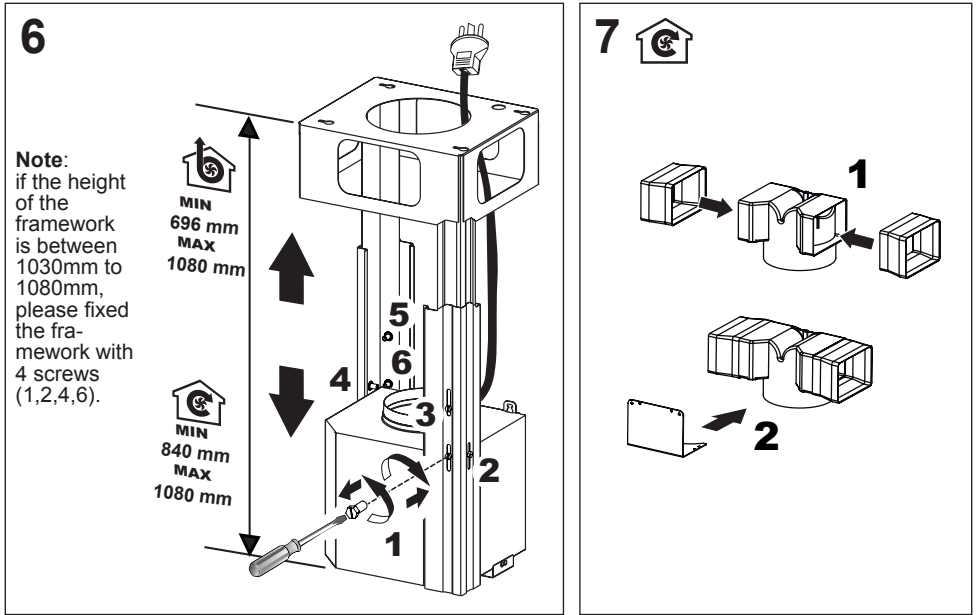




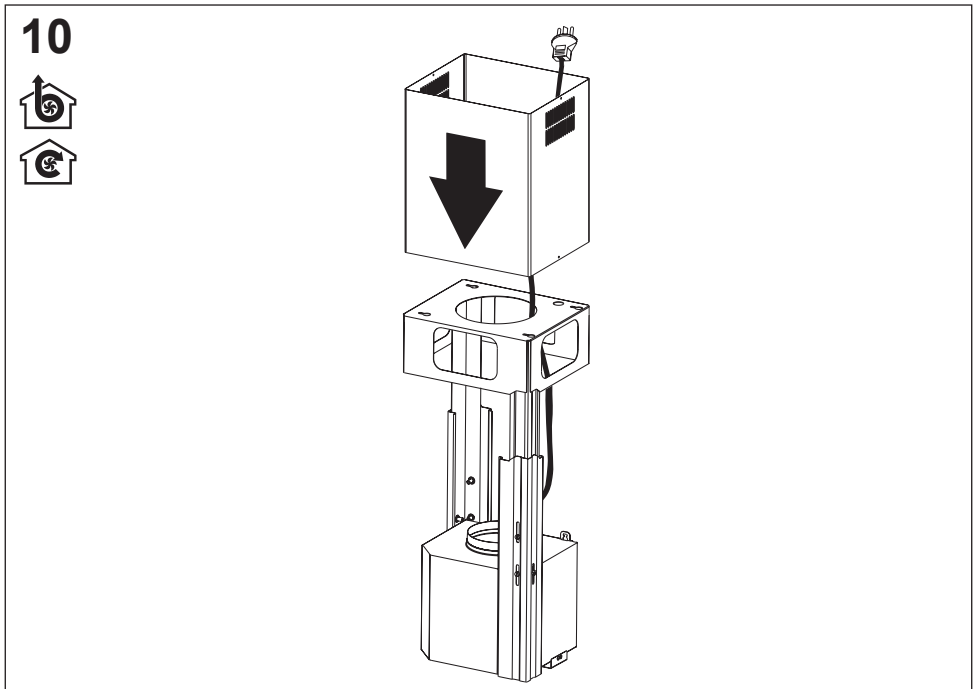
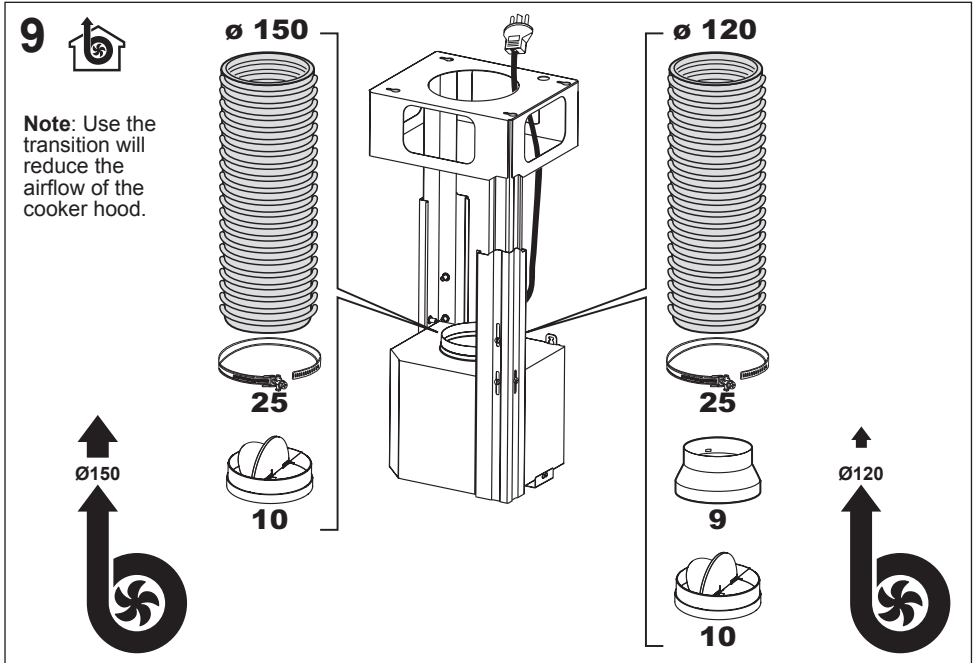


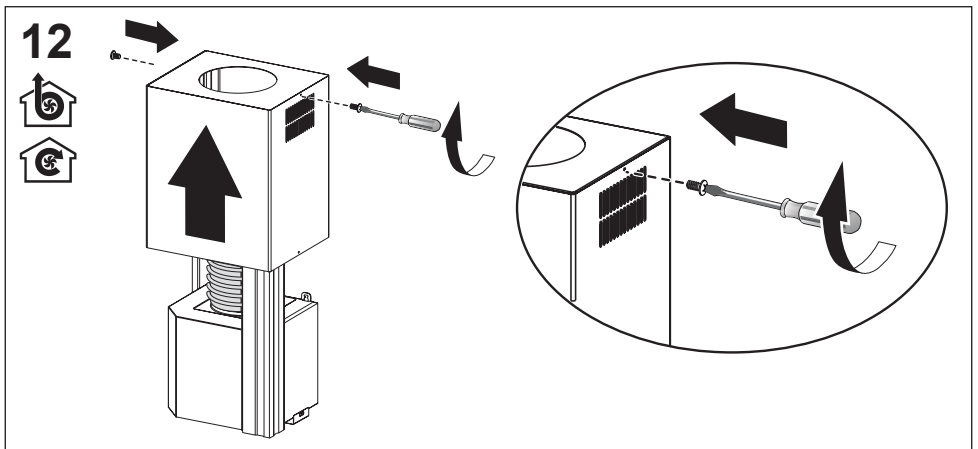
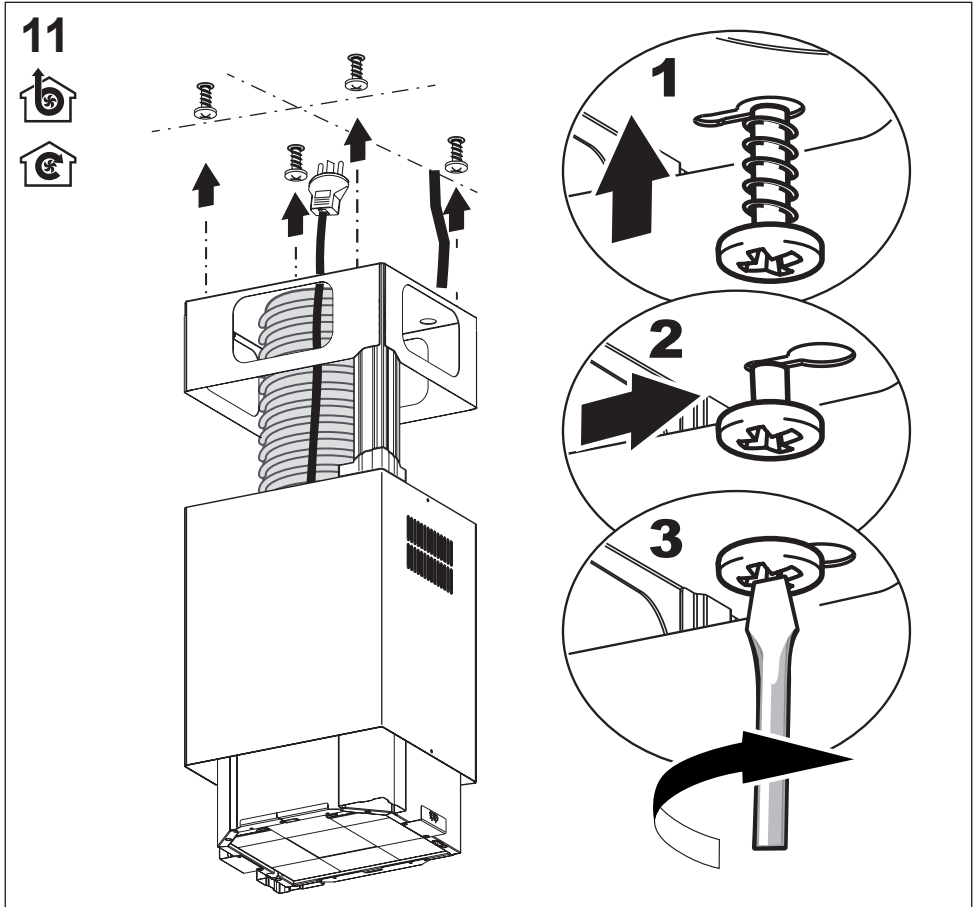


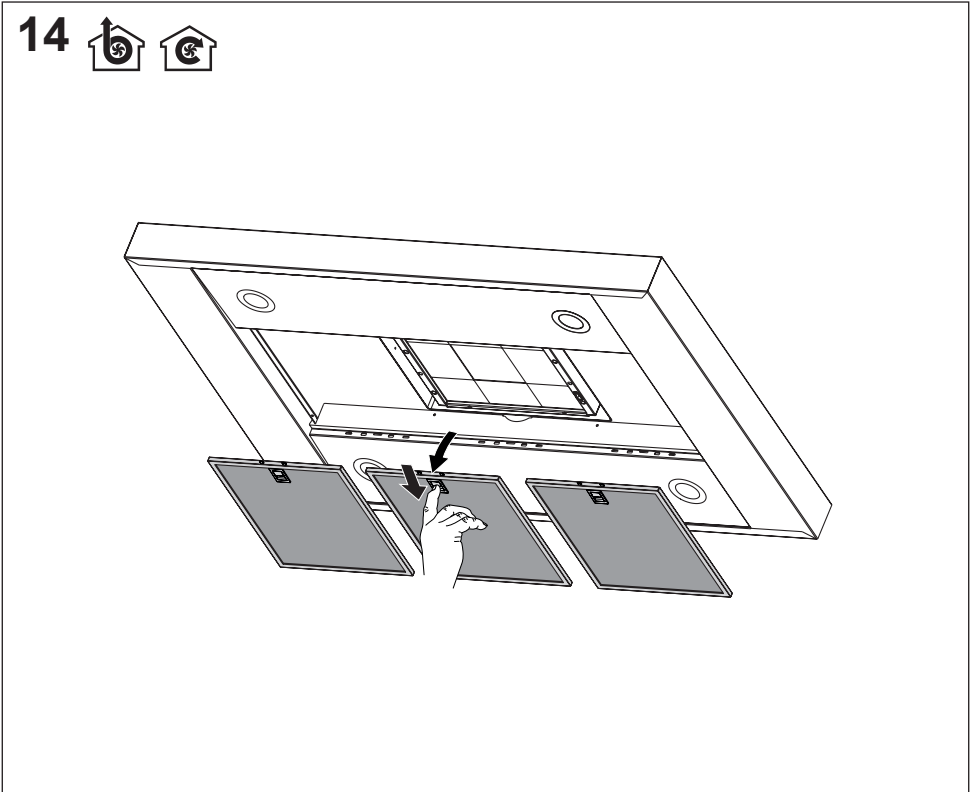
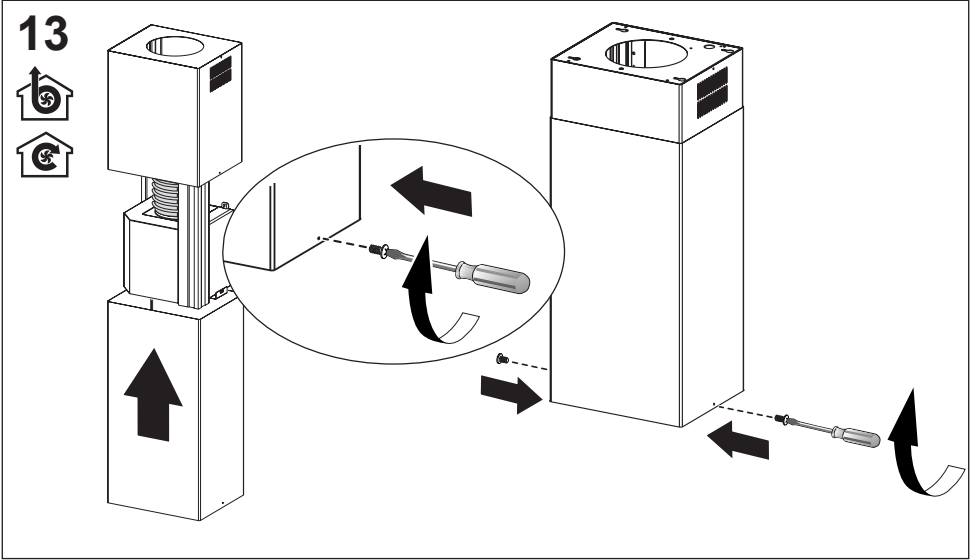




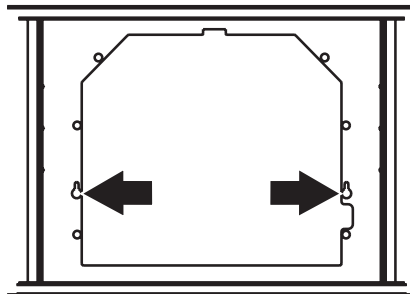
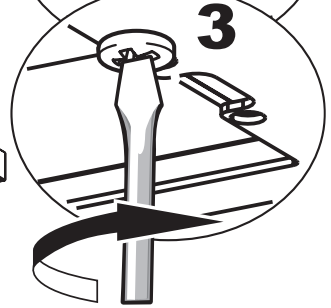
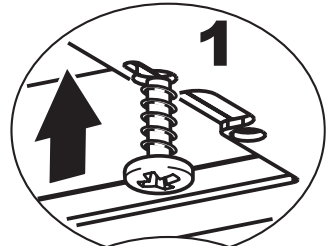
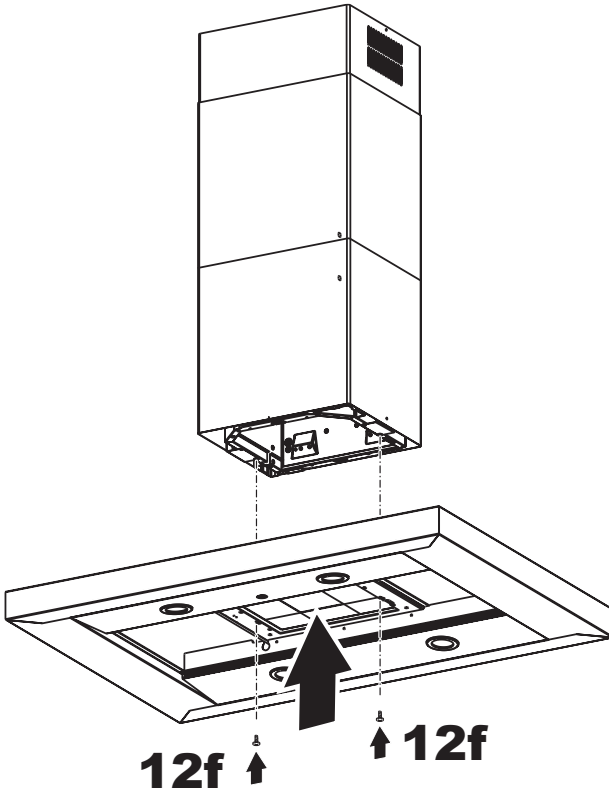




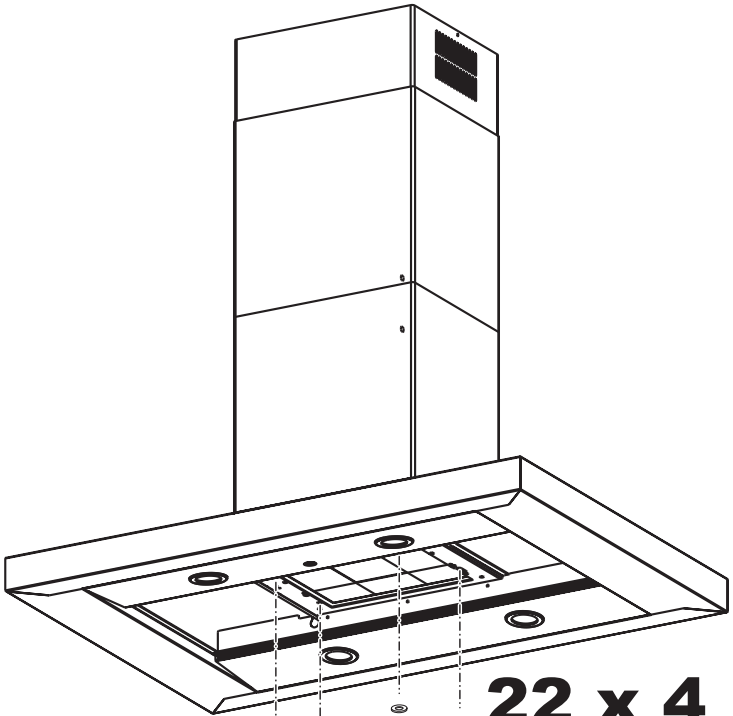
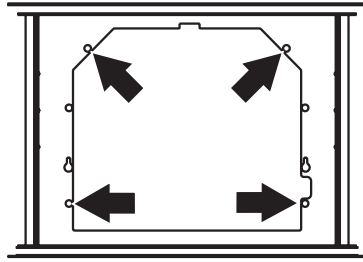




15  



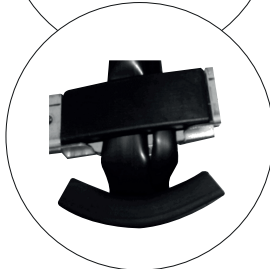
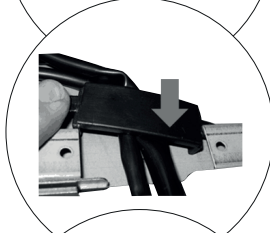
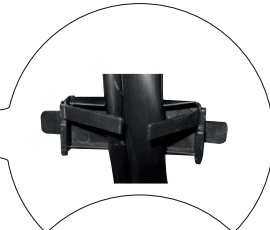
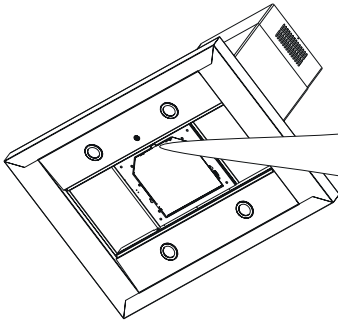
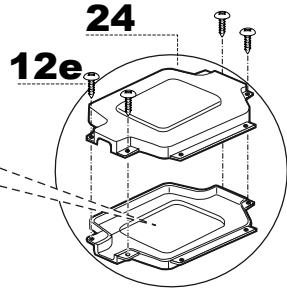
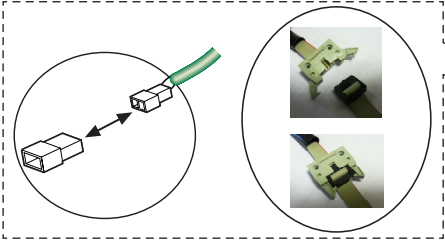
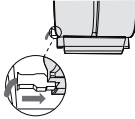
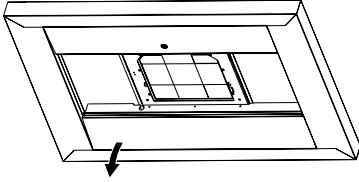
16



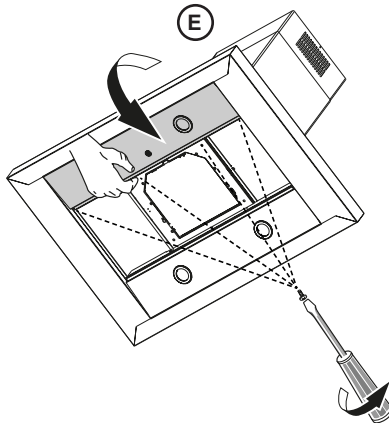
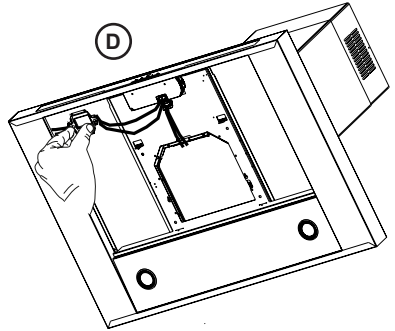
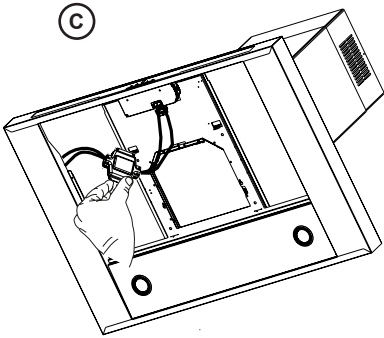
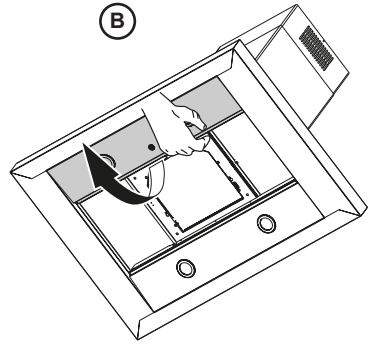
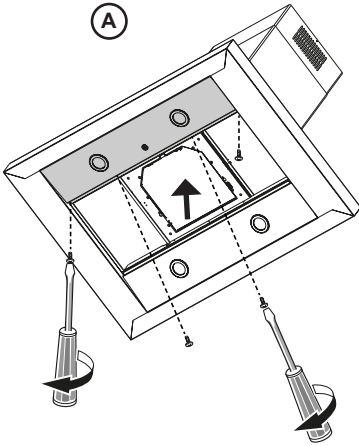
**22 x 4**

**12q x 4**

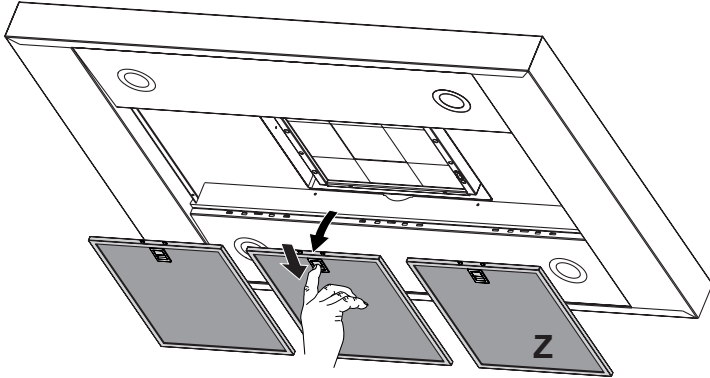
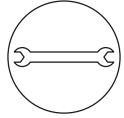
17



18



19



20



**NOTE:** Use the carbon filter will reduce the airflow of the cooker hood.

