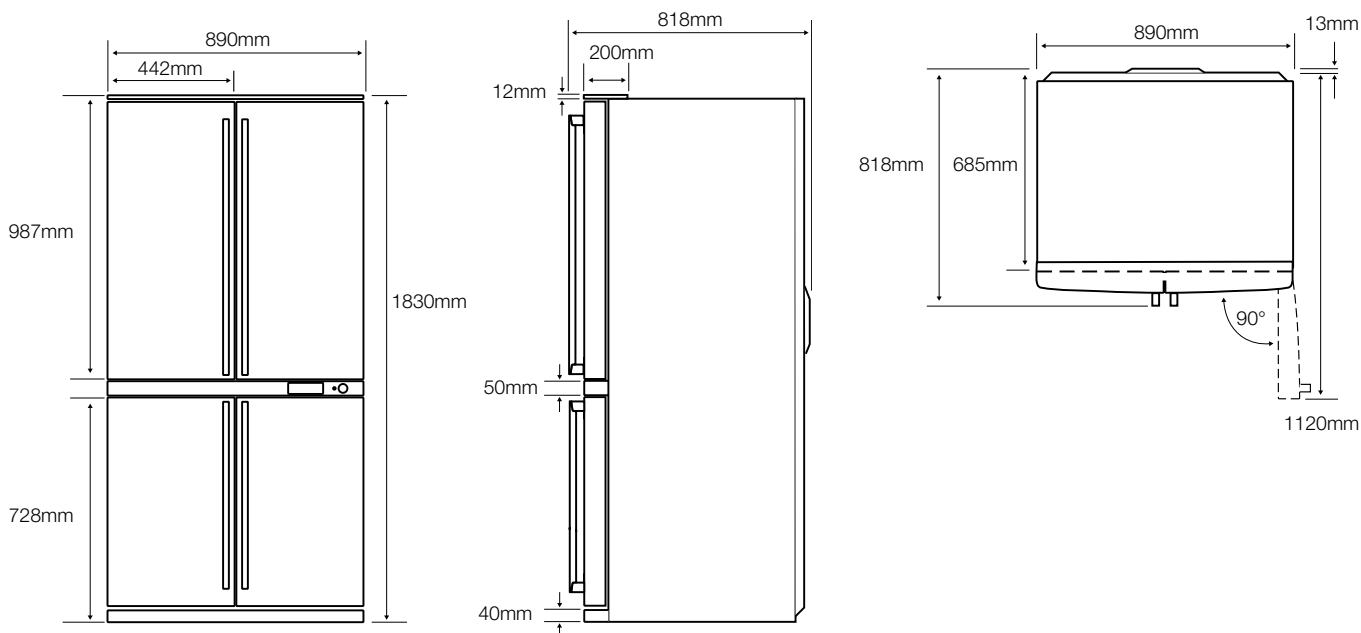


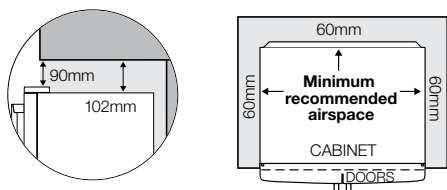
dimensions and installation guide

electrolux french-door fridge

model EQE6807SD

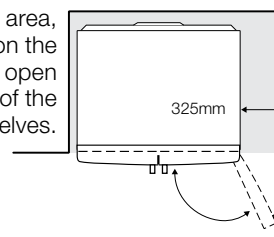


Minimum Recommended Airspaces



NOTE: Doors are designed to sit proud of cabinetry (not flush).

When positioned in a corner area, spacing of at least 325mm on the sides will allow the doors to open enough to enable removal of the crisper bins and shelves.



IMPORTANT

This is a guide of product dimensions only. For complete installation instructions, refer to the manual provided with product.

All measurements in millimetres.
 Current as at December 2013.
 © 2013 Electrolux Home Products Pty Ltd. EDIM_EFRI_EQE6807SD_Dec13



Thinking of you
Electrolux