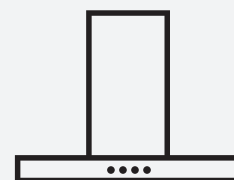




Thinking of you
Electrolux



.....
User manual

.....
Cooker hood

.....
ERC928GA



WE'RE THINKING OF YOU

Thank you for purchasing an Electrolux appliance. You've chosen a product that brings with it decades of professional experience and innovation. Ingenious and stylish, it has been designed with you in mind. So whenever you use it, you can be safe in the knowledge that you'll get great results every time. Welcome to Electrolux.

BEFORE USING YOUR APPLIANCE

Before you use the cooker hood, we recommend that you read through the whole user manual which provides the description of the cooker hood and its functions. To avoid the risks that are always present when you use an electrical appliance, it is important that the cooker hood is installed correctly and that you read the safety instructions carefully to avoid misuse and hazards.

For future reference, please store this booklet in a safe place.

CONDITIONS OF USE

This appliance is intended to be used in household and similar applications such as:

- Staff kitchen areas in shops, offices and other working environments
- Farm houses
- By clients in hotels, motels and other residential type environments
- Bed and breakfast type environments

BEFORE YOU CALL

Please ensure you read the instruction manual fully before you call for service, or a full service fee could be applicable.

RECORD MODEL AND SERIAL NUMBER HERE:

Model: _____

Serial No: _____

CONTENTS

| | |
|----|-------------------------------------|
| 3 | Safety information |
| 4 | Product description |
| 5 | Dimensions |
| 6 | Cooker hood installation |
| 10 | Using the cooker hood |
| 11 | Maintenance and cleaning |
| 11 | Changing the lamps |
| 12 | Troubleshooting |
| 13 | Optional ducting accessories |
| 15 | Warranty |

LEGEND



WARNING!

This symbol indicates information concerning your personal safety.



CAUTION!

This symbol indicates information on how to avoid damaging the cooker hood.



IMPORTANT!

This symbol indicates tips and information about use of the cooker hood.



ENVIRONMENT!

This symbol indicates tips and information about economical and ecological use of the cooker hood.

SAFETY INFORMATION

This manual explains the proper use of your new Electrolux cooker hood. Please read this manual carefully before using the product. This manual should be kept in a safe place for handy reference.

This cooker hood is a domestic appliance which has been manufactured and tested to comply with Australian and New Zealand Standard AS/NZS 60335.2.31.














Read the following carefully to avoid damage or injury.

 **This symbol indicates never to do this**

 **This symbol indicates always do this**

WARNING!

Follow these instructions carefully to avoid an electric shock or fire.

| | |
|---|---|
|  | Young children should be supervised to ensure they do not play with the cooker hood. |
|  | This appliance is not intended for use by persons (including children) with reduced physical, sensory or mental capabilities, or lack of experience and knowledge, unless they have been given supervision or instruction concerning the use of the appliance by a person responsible for their safety. |
|  | Ensure the cooker hood is switched off before carrying out maintenance, to avoid any possibility of electric shock. |
|  | Never carry out flambé cooking under the cooker hood. |
|  | This cooker hood is not recommended for barbecues. |
|  | This cooker hood cannot be installed for external use. |
|  | Grease filters must be removed every four weeks (maximum) for cleaning to reduce the risk of fire. |
|  | The exhaust from the cooker hood must not be discharged into any heating flue, which may carry combustion products from other sources. (Fig. 1) |
|  | Exhaust air must not be discharged into a wall cavity, unless the cavity is designed for the purpose. |
|  | There must be adequate ventilation of the room when the cooker hood is used at the same time as appliances burning gas or other fuels. |
|  | Always cover lit gas burners with pots or pans when the cooker hood is in use. |
|  | Always switch off gas burners before you remove pots or pans. |
|  | Do not leave lit gas burners exposed due to the risk of fire. (Fig. 2) |

Electrical connection

Check that the mains voltage matches with the voltage on the data plate inside the cooker hood. Check that the installation complies with standards of local building, gas and electrical authorities. Before connecting to the mains supply ensure that the mains voltage corresponds to the voltage on the rating plate inside the cooker hood.

If the supply cord is damaged, it must be replaced by the manufacturer or its service agent or similarly qualified person in order to avoid a hazard.

Safety warnings – For the installer

When installing the cooker hood, make sure you adhere to the minimum and maximum distances from the cooker hood base to the cook top surface (as per table on page 6).

Exhaust flue installation: The following rules must be strictly followed to obtain optimal air extraction.

- Keep exhaust flue short and straight.
- Do not reduce the size or restrict exhaust flue.
- Keep bends in the exhaust flue to a minimum.
- When using flexible flue always install duct with helix pulled taut to minimise pressure loss.
- Failure to observe these basic instructions will drastically reduce the performance and increase the noise levels of the cooker hood.

Exhaust air must not be discharged into a wall cavity, unless the cavity is designed for that purpose. The exhaust from the cooker hood must not be discharged into any heating flue, which may carry combustion products from other sources.

NOTE: Some installations may require the telescopic exhaust cover to be cut to length. Cut with sharp tin snips or a fine-tooth hack saw blade, taking care not to distort or dent the exhaust cover.

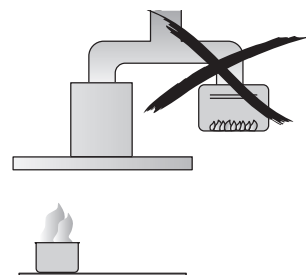


Fig. 1

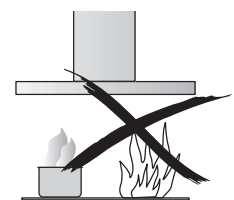
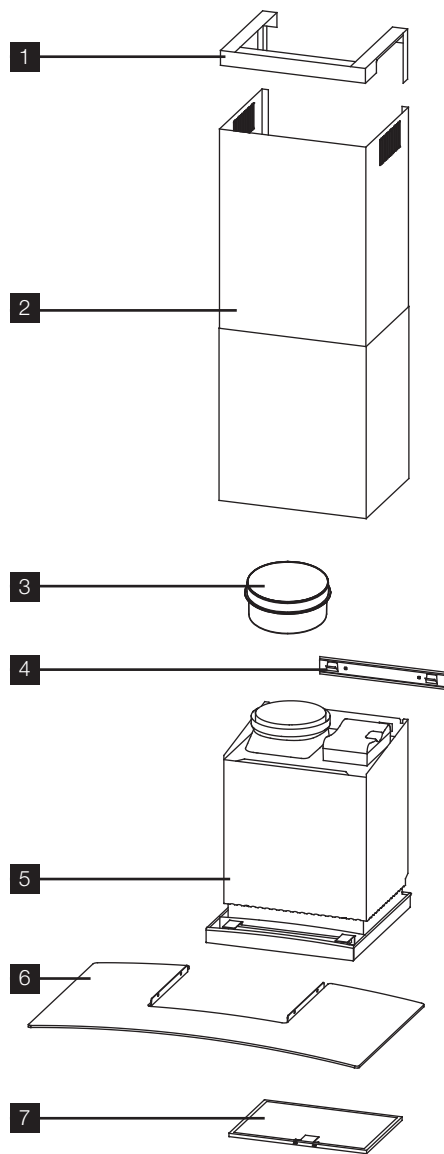


Fig. 2

PRODUCT DESCRIPTION



- 1 Ceiling mount bracket
- 2 Telescopic flue cover set
- 3 Flue transition duct
- 4 Wall bracket
- 5 Main body and fan housing assembly
- 6 Glass and securing screws (4)
- 7 Grease filters

Additional items required for installation

- Fixings required to attach rangehood body and anti tilt points.
- Fixings required to attach ceiling mounting bracket and hood bracket to the wall.
- Duct tape or cable ties.
- Duct and accessories for external; exhausting.

Technical Specification

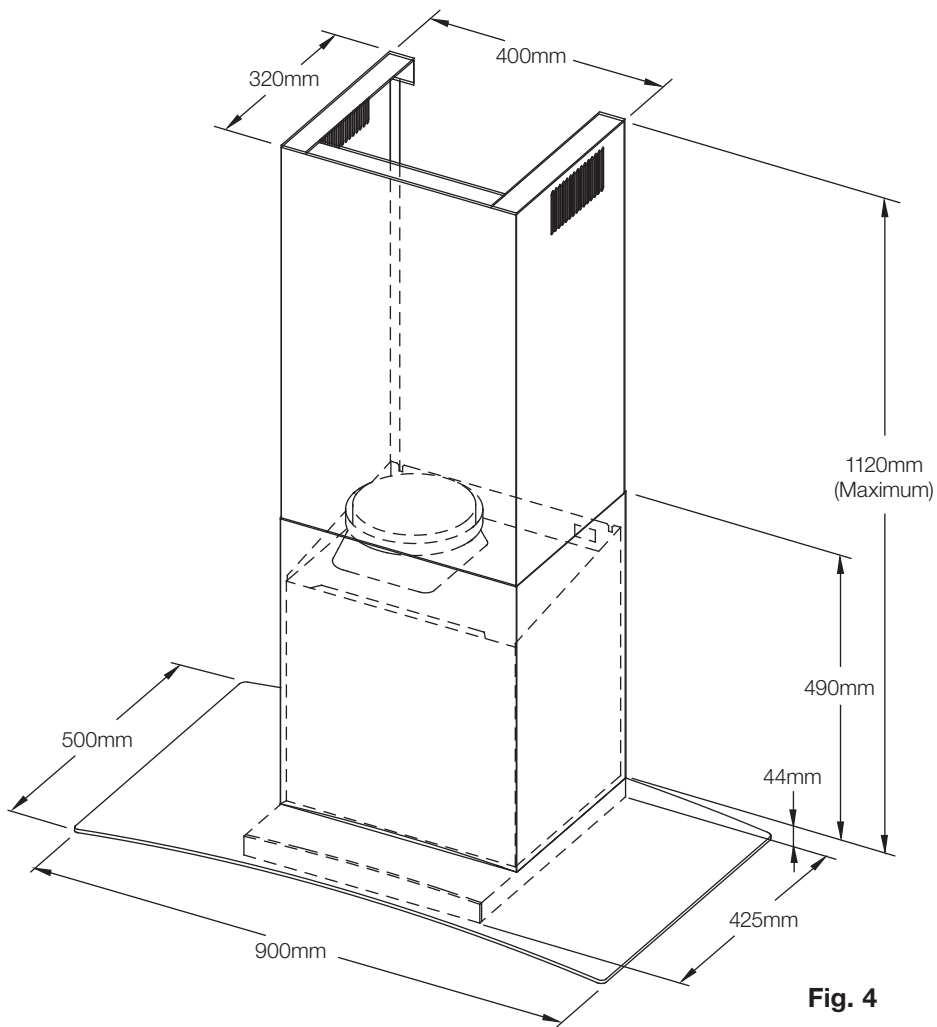
Power supply: 220-240 Volts 50Hz.

Connects to 7.5A powerpoint.

Lights: LED 1 x 4 watt, 12 Volt LED

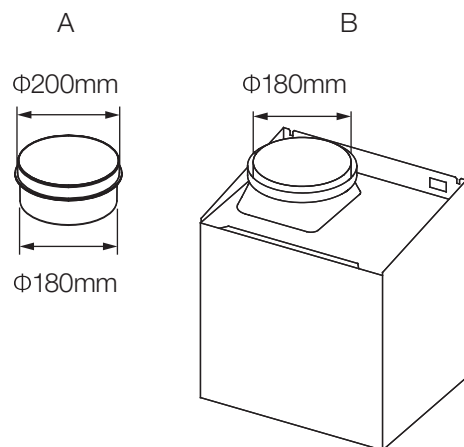
Fig. 3

DIMENSIONS



NOTE:

- 1) The fan housing flue transition duct is 180mm in diameter.
 - 2) Flue transition duct 180mm to 200mm (A shown below) is for external venting.
- (See page 13 for optional ducting accessories).



COOKER HOOD INSTALLATION

! WARNING!

Refer to "Safety information" chapter.

i BEFORE INSTALLATION

Before the installation of the appliance, record the information below from the rating plate. The rating plate is on the bottom of the appliance casing.

Model: _____

PNC: _____

Serial number: _____

- Using a spirit level mark a vertical centre line on the wall where the cooker hood is to be positioned, and a horizontal line at the cooker hood base position (refer to diagram below).

NOTE: The height of the underside of the hood body must be a minimum of 600mm to a maximum height of 800mm.*

* If the instructions of the cooktop specify a greater distance than the minimum above, then that shall be the minimum height for installation.

- Mark the location for flue cover wall mounting brackets and cooker hood mounting points and anti-tilt fixing points above the hood base using the hood base as the reference point (Fig. 6).

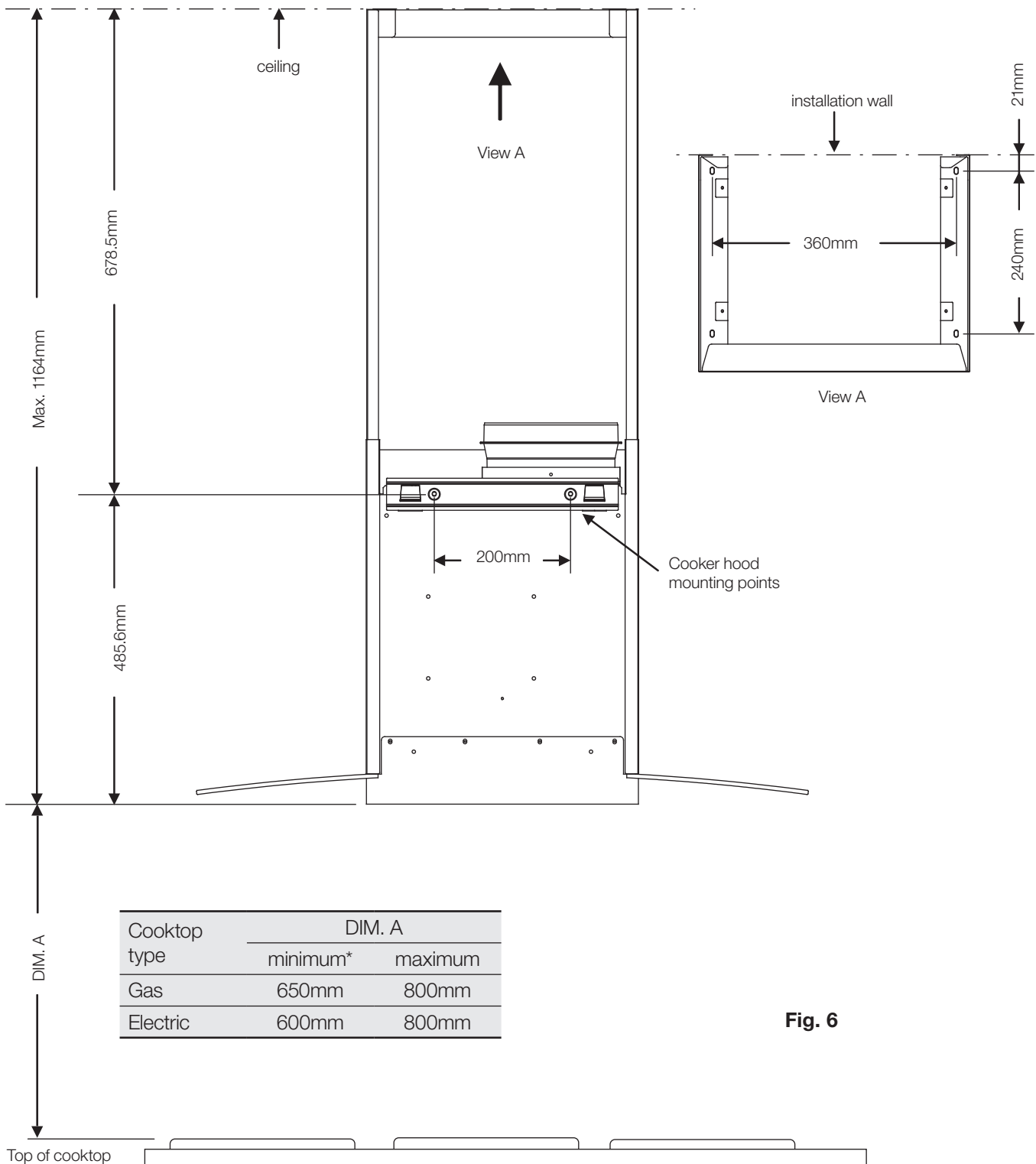


Fig. 6

COOKER HOOD INSTALLATION (CONTINUED)

3. Install flue cover wall mounting brackets with suitable fixings. Install suitable screws for cooker hood mounting points (to support a total weight of 30kg) to the wall as marked (Fig. 6).

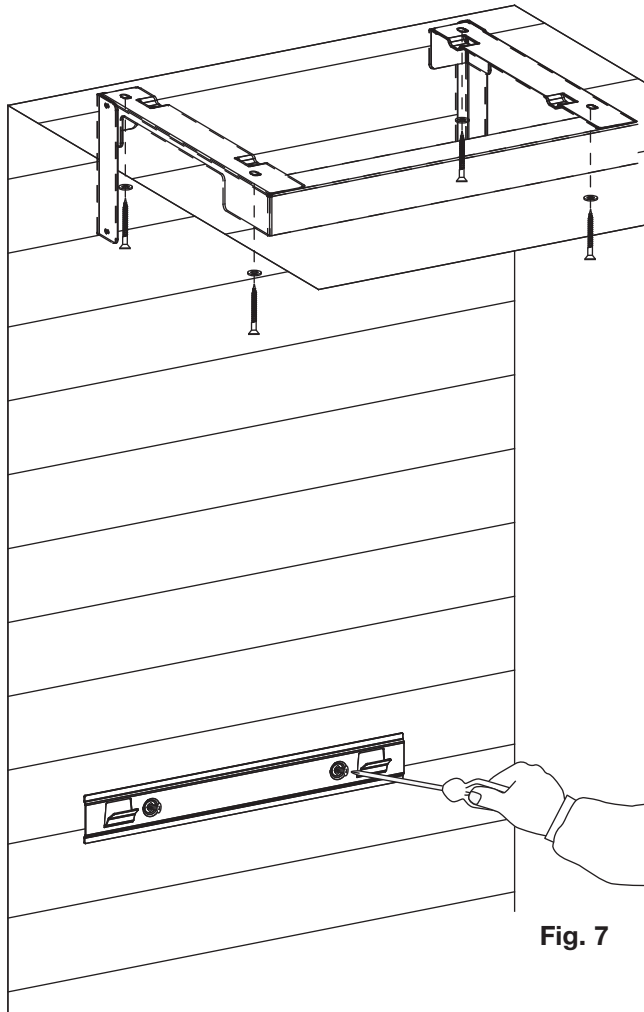


Fig. 7

4. Remove protective plastic film, if present, from the hood body and hang on the wall bracket.

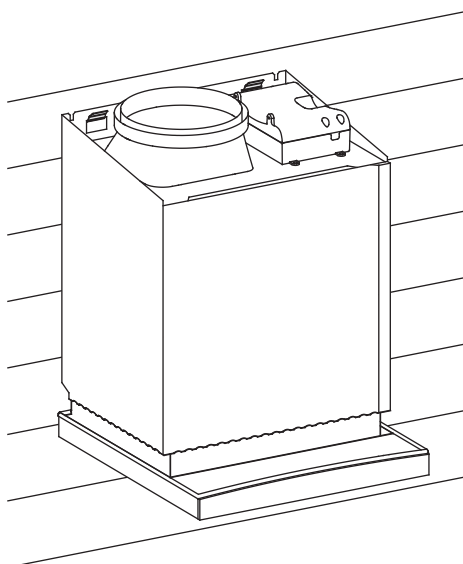


Fig. 8

Depending on the preferred installation/ducting mode, follow step 5a or 5b below.

5a. Recirculating mode (Fig. 9) (optional kit AR928RK required)

Using the centre line, secure the recirculating T-piece to the wall with suitable screws/fixings. Install flexible pipe between T-piece and the exhaust transition duct. Use cable ties or suitable duct tape to secure flexible pipe to T-piece and transition duct (Fig. 11).

NOTE: When installed in recirculating mode, it is recommended to use a carbon filter (included in recirculation kit AR928RK) to prevent odours being emitted back into the room.

5b. Ducted mode (Fig 10.)

The cooker hood has been supplied with a duct transition piece. Fit 200mm diameter non combustible flue pipe to the fan transition duct (Fig. 10). Use cable ties or suitable duct tape to secure flexible pipe to the transition duct.

NOTE: For ducted mode, we recommend extending flue pipe through the roof to external "roof cowl" to vent exhaust externally. We do not recommend venting into ceiling cavity.

NOTE: The 200mm diameter flue is required to achieve optimum airflow performance and minimise noise.

NOTE: To ensure optimum performance of the cooker hood, the use of rigid ducting is recommended. The use of bends should be avoided. Rigid flexible ducting is suitable, although loose flexible ducting is unacceptable. All ducting must be fire retardant.

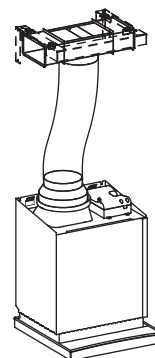


Fig. 9

Φ200mm

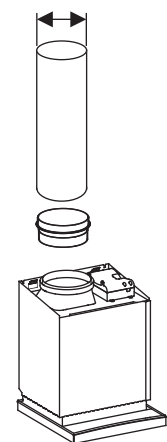


Fig 10

COOKER HOOD INSTALLATION (CONTINUED)

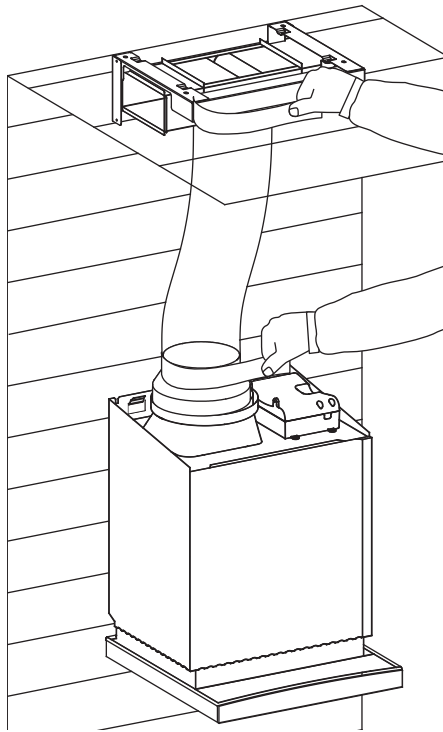


Fig. 11

6. Electrical connection

Check that the installation complies with the standards of local building, gas and electrical authorities. Before connecting to the mains supply ensure that the mains voltage corresponds to the voltage on the rating plate inside the cooker hood.

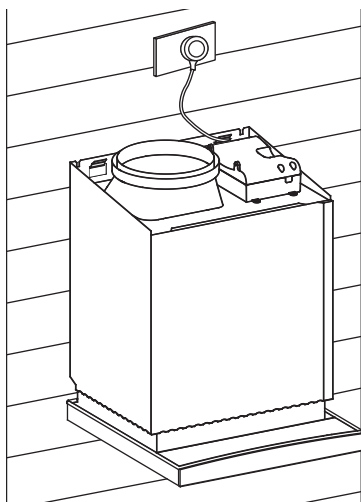


Fig. 12

7. Install the rubber strip

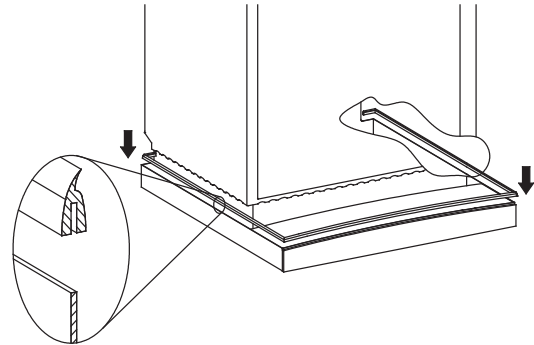


Fig. 13

! CAUTION!

Care must be taken when installing the rubber strip around the four corners. Ensure the rubber strip is positioned on both sides of the exposed metal panel.

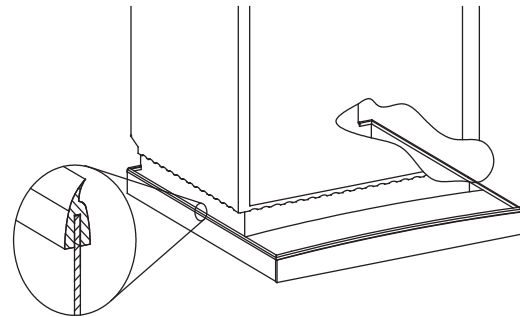


Fig. 14

8. Install the glass

Insert the glass into the slot on the main body as show in Fig.15, then fix the glass by the 4 screws supplied in the accessories bag (Fig.16).

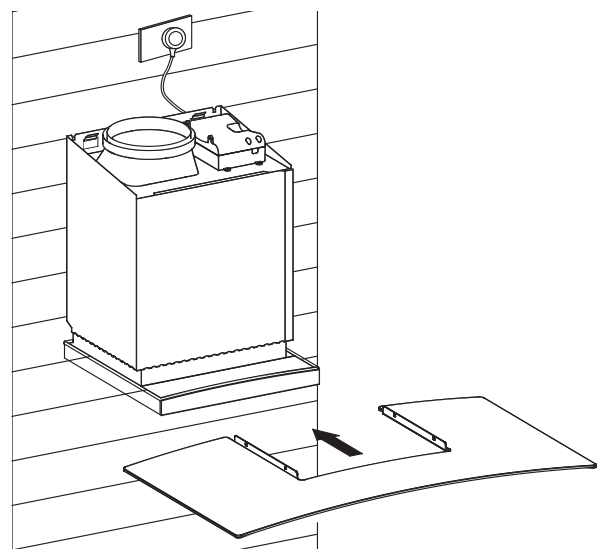


Fig. 15

! CAUTION!

Ensure the rubber strip is not pushed out of position when positioning the glass.

COOKER HOOD INSTALLATION (CONTINUED)

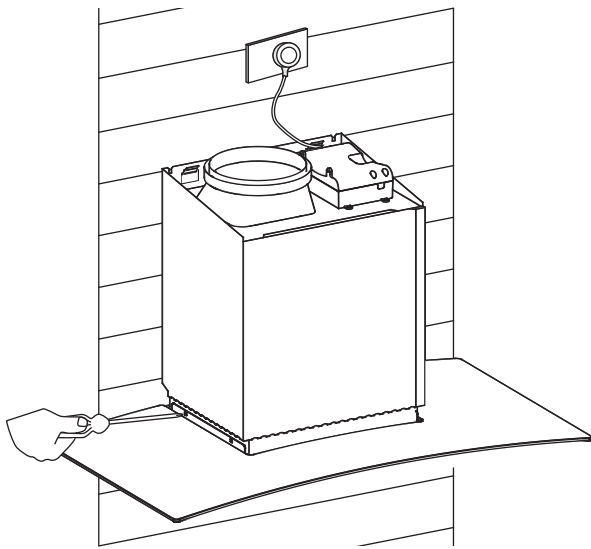


Fig. 16

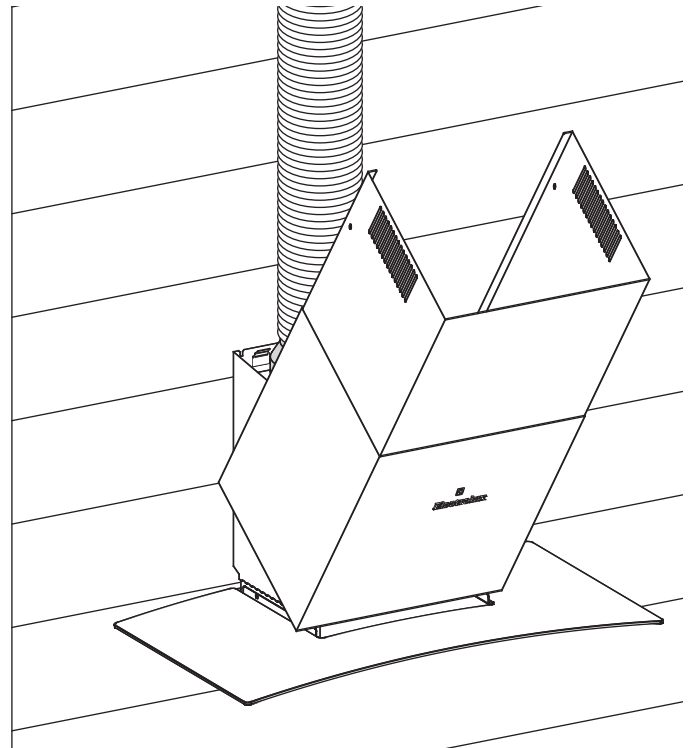


Fig. 17

9. Installation of telescopic flue covers

Separate the inner and outer flue covers. Carefully reassemble the upper and lower flue covers by sliding the inner into the outer flue cover. Carefully lower the assembled upper and lower flue covers onto the top of the cooker hood body, and insert the flue cover into the cooker hood body approximately 5mm. Fix upper flue cover to the wall mounting bracket with screws supplied. Ensure that the upper section is extended.

NOTE: Carefully remove the plastic protective coating, if present, from the flue covers. Pay particular attention when removing protective plastic coating from decals.

! IMPORTANT!

Care must be taken to ensure the screws (supplied in accessories bag) are not cross threaded when attaching the upper flue cover. If installed in recirculating mode, insert the optional carbon filter (included in recirculation kit AR928RK). To complete the cooker hood installation, insert the three filters to the underside of the hood body. Place back edge of filter into position and push up front edge so that the filter clips into place.

Your Electrolux cooker hood is now ready to use.

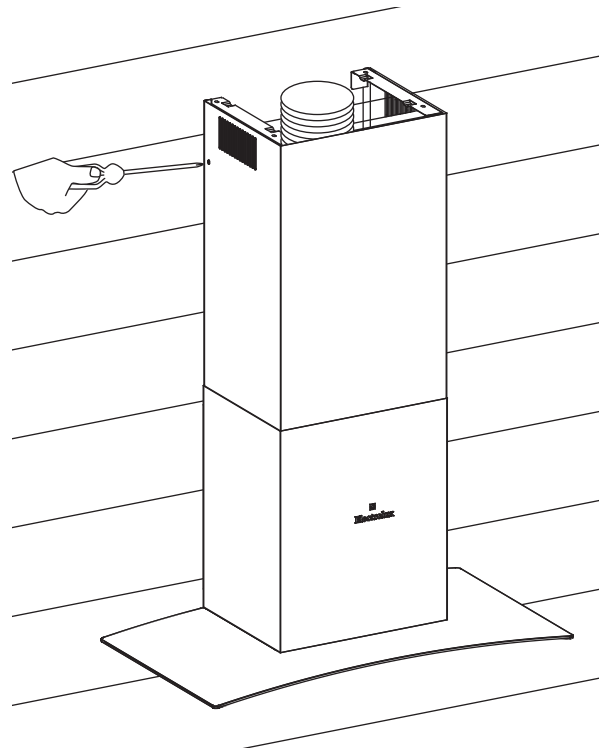
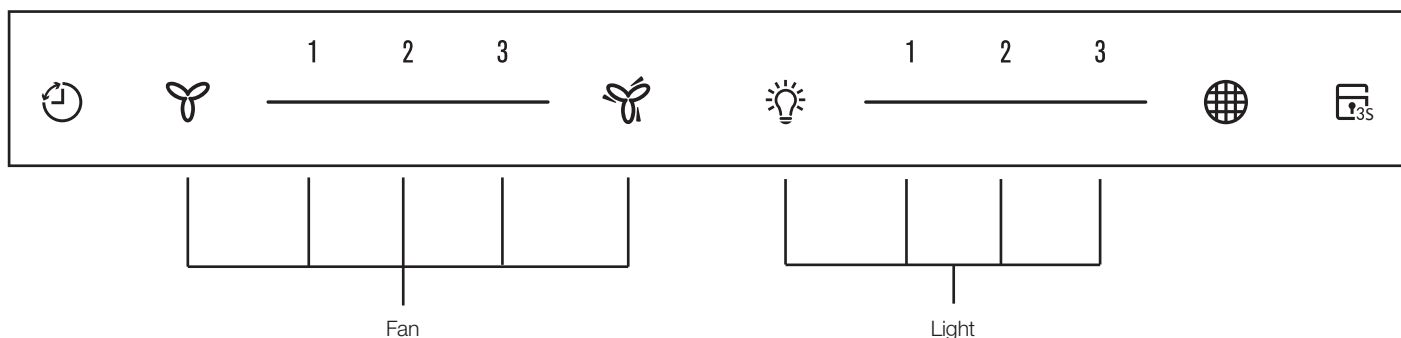


Fig. 18

USING THE COOKER HOOD



Standby mode

When connecting the cooker hood to the power supply for the first time or after power is returned after power outage, all symbols on the control panel will light up from left to right and a “beep” will sound once. Following this, the control panel goes to standby mode and the cooker hood will be ready for use.

Turning on hood

When the cooker hood is in standby mode, user can either press the fan or lightbulb button to turn on the fan or light individually. The default factory level is 2, following that, the cooker hood remembers the last used setting and will start at that level when the user presses the fan or light button. Pressing directly on the slider strip will also allow the user to jump straight into the level pressed.

Fan – select speed to suit cooking conditions

- fan icon – motor on/off
- 1 – light frying/boiling
- 2 – frying/wok cooking/heavy boiling
- 3 – grilling, intensive frying and wok cooking
- fan icon – stir frying

NOTE: Touch the symbol to turn the fan boost ON, the fan boost starts running at the highest fan speed for 1 minute before reducing to speed 3 automatically.

Light – select light level

- lightbulb icon – Light on/off
- 1 – low-light level
- 2 – mid-light level
- 3 – high-light level

Using the Timer

At the end of cooking, if the timer is switched on, the cooker hood will continue to run for an additional 5 minutes, depending on the selected fan speed. This should ensure the removal of any odours that remain after cooking.

Filter

This is the indicator/switch globe icon to show when the filter needs to be cleaned. Once the filters are cleaned the “Filter” alert can be deactivated with a single touch.

Control Lock

Press and hold 3 seconds the lock button will lock the control panel at any time. The same action will unlock the control panel.

When control is locked, pressing any other button will make lock button blink and a beep will sound.

- When the cooker hood is working (light on and fan on) and lock button is touched then the cooker hood will stop fan but keep lighting on while lock menu.
- When the cooker hood is working (lights off and fan on) and the lock button is touched then the cooker hood will stop fan and keep lighting off while lock menu.
- When lock button is activated when the cooker hood is working it will just change the status of fan motor and not change the status of lighting.
- When lock button is touched while the cooker hood stops then it will just lock the menu

MAINTENANCE AND CLEANING

CAUTION!

- **Before maintenance or cleaning is carried out, the cooker hood should be disconnected from the main power supply. Ensure that the cooker hood is switched off at the wall socket and the plug removed.**
- **External surfaces are susceptible to scratches and abrasions, so please follow the cleaning instructions to ensure the best possible result is achieved without damage.**
- **These instructions must be followed to avoid a fire risk.**

Stainless steel surface

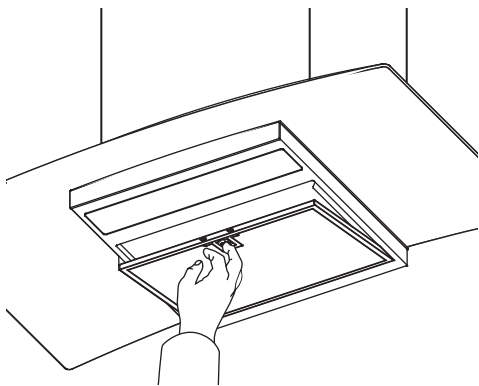
Clean stainless steel surfaces using non-abrasive cleaning products that are specifically for use on stainless steel. To ensure best results also use an even pressure and follow the grain of the stainless steel. Use of a soft cloth reduces the risk of scratching. If the cloth is wet ensure that a dry soft cloth is used to wipe down the surface again reducing the risk of any surface rust appearing.

Control panel surface

The control panel can be cleaned using warm soapy water. Ensure the cloth is well wrung before cleaning. Use a dry soft cloth to remove any excess moisture left after cleaning.

Removing the metal grease filters

Push the grease filter towards the left side of the unit and then pull it down.



Hand washing

The mesh filters can be cleaned by hand in warm soapy water. Soak in warm water and some washing up liquid. For stubborn grease stains use a soft nylon brush to help remove these stains. After cleaning ensure that the filters are completely dry before refitting.

Dishwasher

Place grease filters in the dishwasher. Select the most powerful washing program and highest temperature, at least 65°C. Repeat the process. Refit the grease filters when they are dry. When washing the metal grease filter in the dishwasher a slight discolouration of the filter can occur, this does not have any impact on its performance.

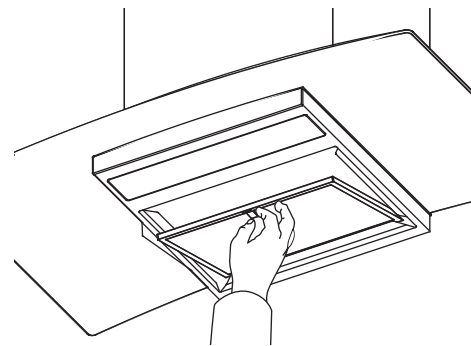
Changing the lamps

Lamps are long life LED lamps and should not require service. If there is an issue with lamps please contact the Service Centre. Service contact details shown on page 15.

Charcoal filter

- The charcoal filter should only be used if you want to use the cooker hood in the recirculation function.
- This filter cannot be cleaned or re-used and as a general rule, the activated charcoal filter should be changed once every four months.

Open or fit the charcoal filter as shown in the image below.



- Always specify the cooker hood model code number and serial number when ordering replacement filters. This information is shown on the registration plate located on the inside of this unit.
- Replacement charcoal filters can be ordered from your local Spare Parts centre, contact details are shown on page 15.

TROUBLESHOOTING

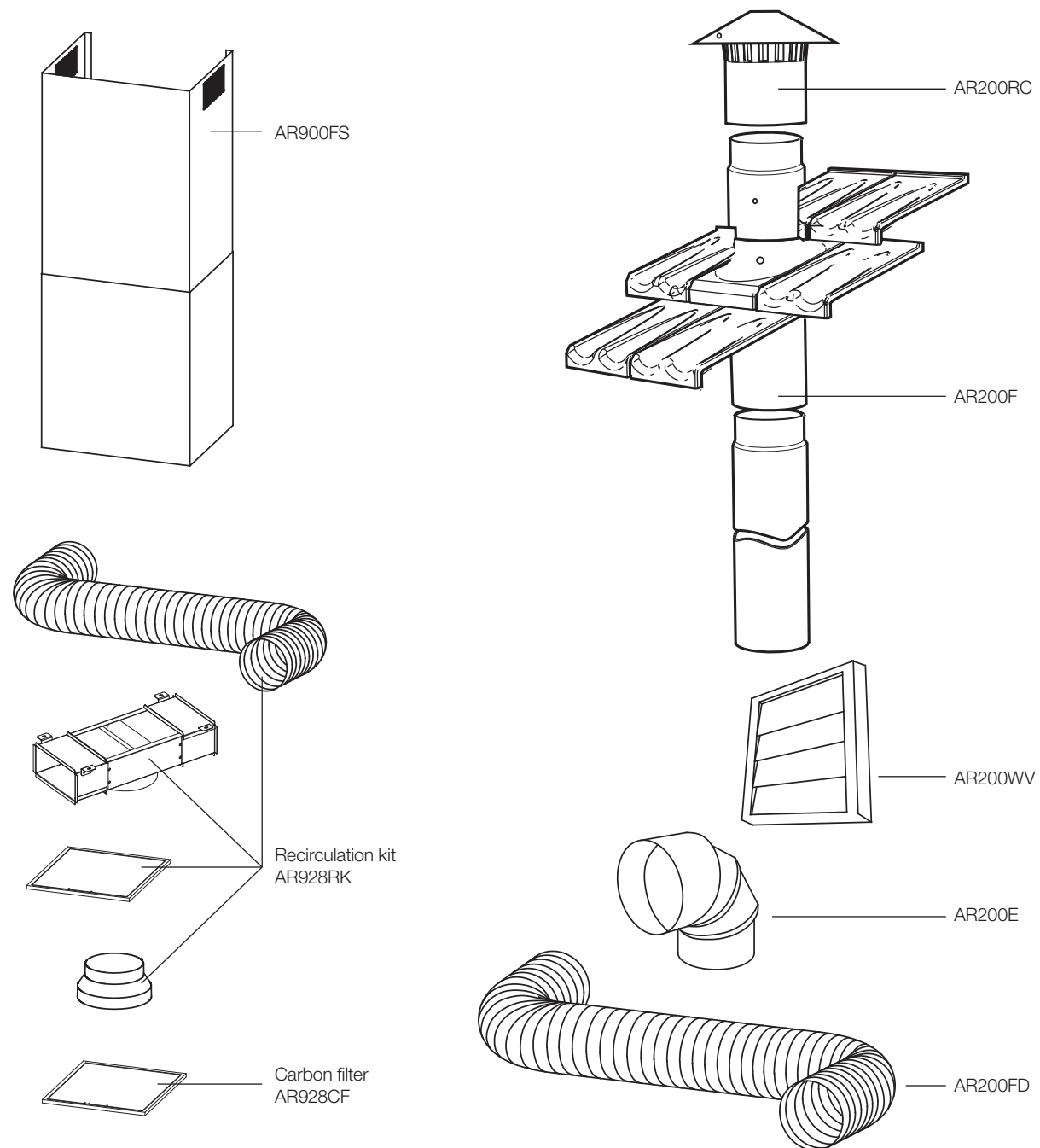
| Problem | Remedy |
|---|---|
| The cooker hood will not start | Check that the cooker hood is connected to an electrical supply Check that a fan speed has been selected |
| The cooker hood is not working | Check that the fan speed is set high enough for the task The grease filters are clean The kitchen is adequately vented to allow the entry of fresh air If set up for recirculation, check that the charcoal filter is still effective If set up for extraction, check that the ducting and outlets are not blocked Do not operate cooktop without pots/pans Do not flambé under cooker hood |
| The cooker hood has switched off during operation | The safety cut-out device has been tripped – turn off the cooktop and wait for the device to reset. Check that the filters are not blocked, clean if necessary. If the cooker hood has been installed below the heights indicated in the installation instructions the motor will cut out frequently which will damage the cooker hood |

If you have completed all of the above checks and are still experiencing difficulty, please contact your local Electrolux Service Centre.

NOTE: This product is fitted with a safety cut-out device.

- If the cooker hood is installed too close to the cooktop, flambé cooking, operating the cooktop without cooking utensils and blocked filters may activate the safety cut-out device. If the cooker hood stops during operation, correct the faults and allow time for the safety cut-out device to reset, the cooker hood will then function correctly.
- Do not operate cooktop without pots/pans.
- Do not flambé under cooker hood.

OPTIONAL DUCTING ACCESSORIES



| Part numbers | Description |
|--------------|--|
| AR900FS | Stainless steel exhaust cover |
| AR928RK | Recirculating Kit (180-150mm reducer, T-piece, carbon filters and 150mm semi rigid exhaust flue) |
| AR928CF | Carbon filter |
| AR200RC | 200mm G/Bond Roof Cowl |
| AR200F | 200mm G/Bond Flue 1200mm |
| AR200WV | 200mm Wall Vent |
| AR200E | 200mm Elbow duct |
| AR200FD | 200mm Semi rigid flexible exhaust flue (0.7-3m) |



FOR SALES IN AUSTRALIA AND NEW ZEALAND
APPLIANCE: RANGEHOOD

This document sets out the terms and conditions of the product warranties for Electrolux Appliances. It is an important document. Please keep it with your proof of purchase documents in a safe place for future reference should you require service for your Appliance.


1. In this warranty:
 - (a) 'acceptable quality' as referred to in clause 10 of this warranty has the same meaning referred to in the ACL;
 - (b) 'ACL' means Schedule 2 to the Competition and Consumer Act 2010;
 - (c) 'Appliance' means any Electrolux product purchased by you and accompanied by this document;
 - (d) 'ASC' means Electrolux authorised service centres;
 - (e) 'Electrolux' means Electrolux Home Products Pty Ltd of 163 O'Riordan Street, Mascot NSW 2020, ABN 51 004 762 341 in respect of Appliances purchased in Australia and Electrolux (NZ) Limited (collectively 'Electrolux') of 3-5 Niall Burgess Road, Mount Wellington, in respect of Appliances purchased in New Zealand;
 - (f) 'major failure' as referred to in clause 10 of this warranty has the same meaning referred to in the ACL and includes a situation when an Appliance cannot be repaired or it is uneconomic for Electrolux, at its discretion, to repair an Appliance during the Warranty Period;
 - (g) 'Warranty Period' means the Appliance is warranted against manufacturing defects in Australia for 24 months and in New Zealand for 24 months, following the date of original purchase of the Appliance;
 - (h) 'you' means the purchaser of the Appliance not having purchased the Appliance for re-sale, and 'your' has a corresponding meaning.
2. This warranty only applies to Appliances purchased and used in Australia or New Zealand and used in normal domestic applications and is in addition to (and does not exclude, restrict, or modify in any way) any non-excludable statutory warranties in Australia or New Zealand.
3. During the Warranty Period Electrolux or its ASC will, at no extra charge if your Appliance is readily accessible for service, without special equipment and subject to these terms and conditions, repair or replace any parts which it considers to be defective. Electrolux or its ASC may use remanufactured parts to repair your Appliance. You agree that any replaced Appliances or parts become the property of Electrolux. This warranty does not apply to light globes, batteries, filters or similar perishable parts.
4. Parts and Appliances not supplied by Electrolux are not covered by this warranty.
5. To the extent permitted by law, you will bear the cost of transportation, travel and delivery of the Appliance to and from Electrolux or its ASC. If you reside outside of the service area, you will bear the cost of:
 - (a) travel of an authorised representative;
 - (b) transportation and delivery of the Appliance to and from Electrolux or its ASC.

In all instances, unless the Appliance is transported by Electrolux or an Electrolux authorised representative, the Appliance is transported at the owner's cost and risk while in transit to and from Electrolux or its ASC.
6. Proof of purchase is required before you can make a claim under this warranty.

7. You may not make a claim under this warranty unless the defect claimed is due to faulty or defective parts or workmanship. Electrolux is not liable in the following situations (which are not exhaustive):
 - (a) the Appliance is damaged by:
 - (i) accident
 - (ii) misuse or abuse, including failure to properly maintain or service
 - (iii) normal wear and tear
 - (iv) power surges, electrical storm damage or incorrect power supply
 - (v) incomplete or improper installation
 - (vi) incorrect, improper or inappropriate operation
 - (vii) insect or vermin infestation
 - (viii) failure to comply with any additional instructions supplied with the Appliance;
 - (b) the Appliance is modified without authority from Electrolux in writing;
 - (c) the Appliance's serial number or warranty seal has been removed or defaced;
 - (d) the Appliance was serviced or repaired by anyone other than Electrolux, an authorised repairer or ASC.
8. This warranty, the contract to which it relates and the relationship between you and Electrolux are governed by the law applicable where the Appliance was purchased. Where the Appliance was purchased in New Zealand for commercial purposes the Consumer Guarantee Act does not apply.
9. To the extent permitted by law and subject to your non-excludable statutory rights and warranties, Electrolux excludes all warranties and liabilities (other than as contained in this document) including liability for any loss or damage whether direct or indirect arising from your purchase, use or non use of the Appliance.
10. For Appliances and services provided by Electrolux in Australia, the Appliances come with a guarantee by Electrolux that cannot be excluded under the ACL. You are entitled to a replacement or refund for a major failure and for compensation for any other reasonably foreseeable loss or damage. You are also entitled to have the Appliance repaired or replaced if the Appliance fails to be of acceptable quality and the failure does not amount to a major failure. The benefits to you given by this warranty are in addition to your other rights and remedies under a law in relation to the Appliances or services to which the warranty relates.
11. At all times during the Warranty Period, Electrolux shall, at its discretion, determine whether repair, replacement or refund will apply if an Appliance has a valid warranty claim applicable to it.
12. For Appliances and services provided by Electrolux in New Zealand, the Appliances come with a guarantee by Electrolux pursuant to the provisions of the Consumer Guarantees Act, the Sale of Goods Act and the Fair Trading Act.
13. To enquire about claiming under this warranty, please follow these steps:
 - (a) carefully check the operating instructions, user manual and the terms of this warranty;
 - (b) have the model and serial number of the Appliance available;
 - (c) have the proof of purchase (e.g. an invoice) available;
 - (d) telephone the numbers shown below.
14. You accept that if you make a warranty claim, Electrolux and its ASC may exchange information in relation to you to enable Electrolux to meet its obligations under this warranty.

Important Notice

Before calling for service, please ensure that the steps listed in clause 13 above have been followed.

| | | |
|--|--|--|
| <p>FOR SERVICE or to find the address of your nearest state service centre in Australia PLEASE CALL 13 13 49 For the cost of a local call (Australia only)</p> | <p>SERVICE AUSTRALIA  Electrolux ELECTROLUX HOME PRODUCTS www.electrolux.com.au</p> | <p>FOR SPARE PARTS or to find the address of your nearest state spare parts centre in Australia PLEASE CALL 13 13 50 For the cost of a local call (Australia only)</p> |
| <p>FOR SERVICE or to find the address of your nearest authorised service centre in New Zealand FREE CALL 0800 10 66 10 (New Zealand only)</p> | <p>SERVICE NEW ZEALAND  Electrolux ELECTROLUX (NZ) Limited www.electrolux.co.nz</p> | <p>FOR SPARE PARTS or to find the address of your nearest state spare parts centre in New Zealand FREE CALL 0800 10 66 20 (New Zealand only)</p> |

Electrolux Home Products Australia

telephone: 1300 363 640
fax: 1800 350 067
email: customercare@electrolux.com.au
web: www.electrolux.com.au

Electrolux Home Products New Zealand

telephone: 0800 234 234
fax: 0800 363 600
email: customercare@electrolux.co.nz
web: www.electrolux.co.nz

The Thoughtful Design Innovator.

Do you remember the last time you opened a gift that made you say "Oh! How did you know? That's exactly what I wanted!" That's the kind of feeling that the designers at Electrolux seek to evoke in everyone who chooses or uses one of our products. We devote time, knowledge, and a great deal of thought to anticipating and creating the kind of appliances that our customers really need and want.

This kind of thoughtful care means innovating with insight. Not design for design's sake, but design for the user's sake. For us, thoughtful design means making appliances easier to use and tasks more enjoyable to perform, freeing our customers to experience that ultimate 21st century luxury, ease of mind. Our aim is to make this ease of mind more available to more people in more parts of their everyday lives, all over the world. So when we say we're thinking of you, you know we mean just that.

The "Thinking of you" promise from Electrolux goes beyond meeting the needs of today's consumers. It also means we're committed to making appliances safe for the environment—now and for future generations.

Electrolux. Thinking of you.

Share more of our thinking at www.electrolux.com.au or www.electrolux.co.nz

P/No. 0342-001-613 Issue A

© 2013 Electrolux Home Products Pty Ltd.
ABN 51 004 762 341

EMAN_RH_ERC928GA_Sep13