

*Thinking of you*

 **Electrolux**

 **Electrolux**

ON/OFF

Low

Med

Hi

Light

Tim



installation  
and user manual  
**ERCE90AS**  
e:line rangehood





## Congratulations

Congratulations and thank you for choosing our E:Line canopy rangehood. We are sure you will find your new rangehood a pleasure to use. Before you use your rangehood, we recommend that you read through the whole user manual, which provides the description of the rangehood and its functions.

To avoid the risks that are always present when you use an electrical appliance it is important that the rangehood is installed correctly and that you read the safety instructions carefully to avoid misuse and hazards. We recommend that you keep this instruction booklet for future reference and pass it on to any future owners. After unpacking the rangehood please check it is not damaged. If in doubt, do not use the appliance but contact your local Electrolux Service Centre.

## Contents

• <b>Product description</b>	<b>1</b>
• <b>Important safety instructions</b>	<b>2</b>
• <b>Dimensions</b>	<b>2</b>
• <b>Installation</b>	<b>3</b>
• <b>Using the rangehood</b>	<b>4</b>
• <b>Maintenance and cleaning</b>	<b>5</b>
• <b>Changing the halogen lamps</b>	<b>5</b>
• <b>Optional ducting accessories</b>	<b>6</b>
• <b>Warranty</b>	<b>7</b>

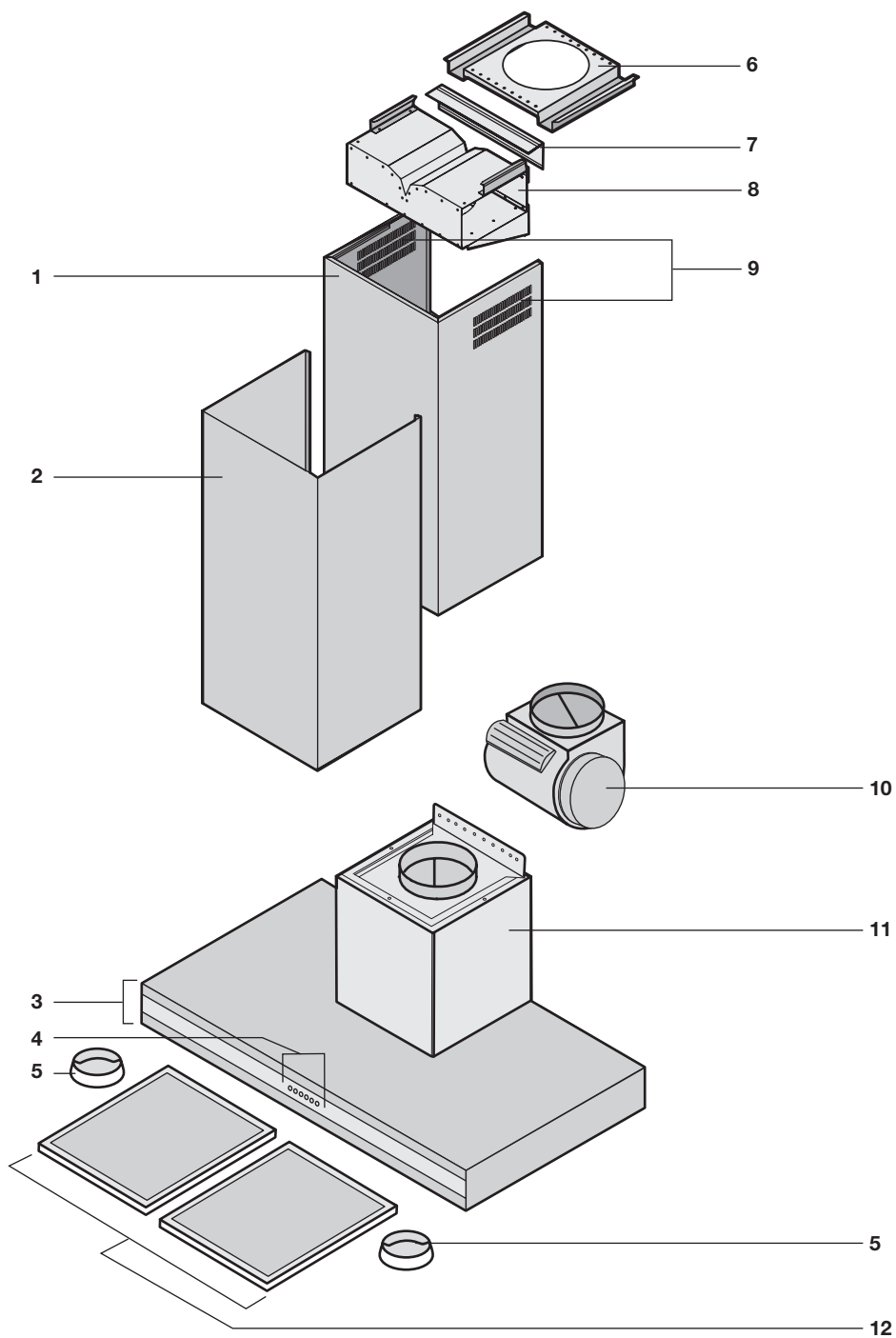


### environmental tip

## Information on disposal for users

- Most of the packing materials are recyclable. Please dispose of those materials through your local recycling depot or by placing them in appropriate collection containers.
- If you wish to discard this product, please contact your local authorities and ask for the correct method of disposal.

## Product description



- 1 Inner flue cover section
- 2 Outer flue cover section
- 3 Canopy main body
- 4 Electronic push button controls
- 5 Halogen downlight (2)
- 6 Flue cover mounting panel
- 7 Top flue fixing bracket
- 8 Re-circulating T-piece
- 9 Re-circulating vent holes
- 10 Centrifugal motor (located in motor housing)
- 11 Motor housing
- 12 2 multi-layered aluminium filters

## Important safety instructions

This manual explains the proper use of your new E:Line canopy rangehood. Please read this manual carefully before using the product. This manual should be kept in a safe place for handy reference.

This canopy rangehood is a domestic appliance which has been manufactured and tested to comply with Australian and New Zealand Standard AS/NZS 60335.2.31.



**caution**

**This symbol indicates the possibility of injury or damage to property**

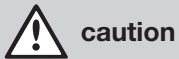
Meanings of symbols used in this manual are shown below:



**This symbol indicates never to do this**



**This symbol indicates always do this**



**caution**

**Read the following carefully to avoid an electric shock or fire.**

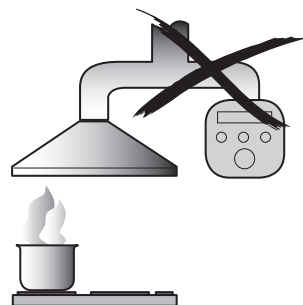
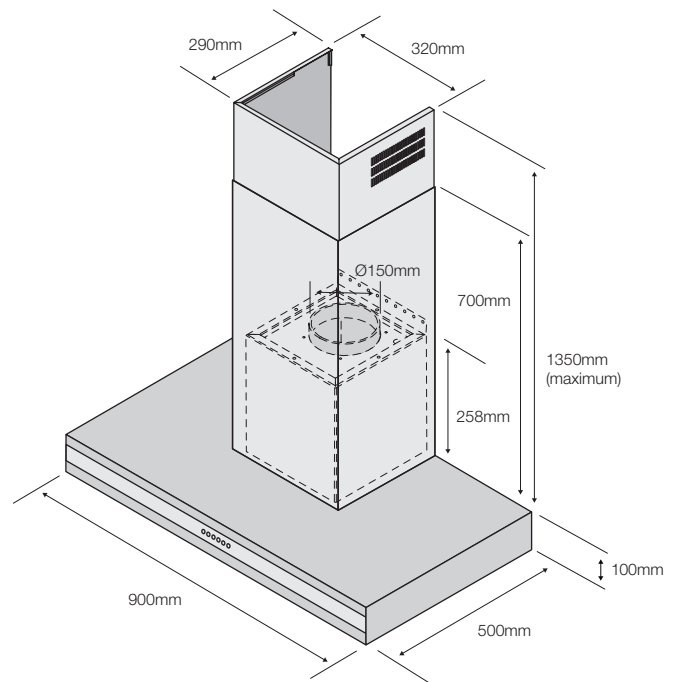
- ✓ Young children should be supervised to ensure they do not play with the canopy rangehood.
- ⊘ The canopy rangehood is not intended for use by young children or infirm persons without supervision.
- ✓ Ensure the canopy rangehood is switched off before carrying out maintenance, to avoid any possibility of electric shock.
- ⊘ Never carry out flambé cooking under the canopy rangehood.
- ⊘ This canopy rangehood is not recommended for barbecues.
- ⊘ This canopy rangehood cannot be installed for external use.
- ✓ Grease filters must be removed every four weeks (maximum) for cleaning to reduce the risk of fire.
- ⊘ The exhaust from the canopy rangehood must not be discharged into any heating flue, which may carry combustion products from other sources. (Fig. 1)
- ⊘ Exhaust air must not be discharged into a wall cavity, unless the cavity is designed for the purpose.
- ✓ There must be adequate ventilation of the room when the canopy rangehood is used at the same time as appliances burning gas or other fuels.
- ✓ Always cover lit gas burners with pots or pans when canopy rangehood is in use.
- ✓ Always switch off gas burners before you remove pots or pans.
- ⊘ Do not leave lit gas burners exposed due to the risk of fire. (Fig. 2)

### Electrical Connection

- Check that the mains voltage matches with the voltage on the data plate inside the canopy rangehood.
- Check that the installation complies with standards of local gas and electricity authorities.
- If the supply cord is damaged, it must be replaced by the manufacturer or its service agent or similarly qualified person in order to avoid a hazard.

## Dimensions

### Canopy dimensions



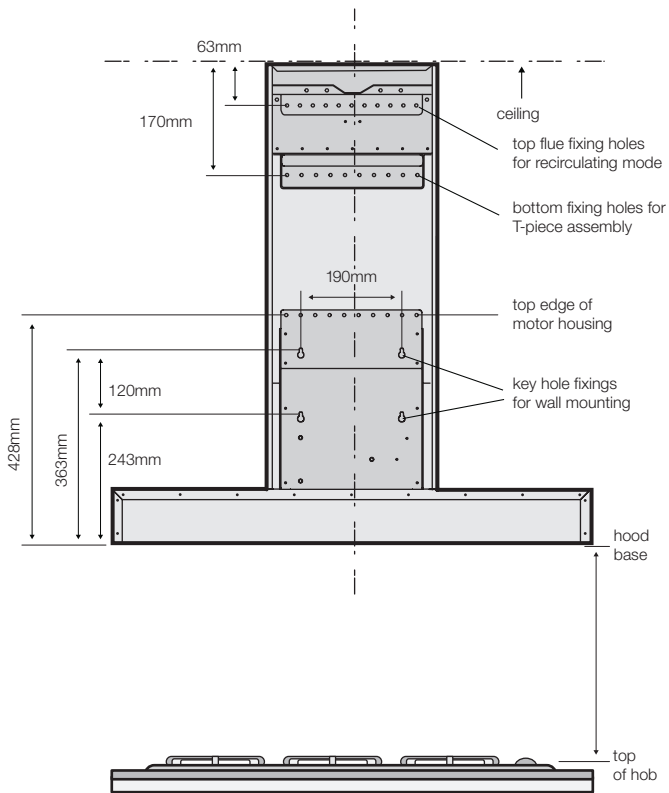
**Fig. 1**



**Fig. 2**

# Installation

## Mounting the hood body



- Using a spirit level mark a vertical centre line on the wall where the hood is to be positioned, and a horizontal line at the hood base position (refer Mounting the hood body).  
*NOTE: The height of the underside of the hood body must be a minimum of 600mm above an electric cooktop & 650mm above a gas cook top and a maximum height of 800mm (refer to table below).*

Distance from hood base to top of hob		
hob type	minimum*	maximum
gas	650mm	800mm
electric	600mm	800mm

\* If the instructions of the hob specify a greater distance than the minimum above, this shall be the minimum height for installation

- Mark the location for the four (4) key-hole fixings points, two at 243mm, and two at 363mm above the marked position of the hood base (refer Mounting the hood body).
- Fix four (4) suitable screws (to support a total weight of 40kg) into the wall at the positions marked in step 2 to allow the body of the hood to be hung on the wall. Leave a 3-4mm gap between the face of the screw and the surface of the wall.

*NOTE: Screw head must be between 7mm and 11mm diameter, with screw thread diameter to be less than 5.5mm to suit key-hole slots. Total hood weight is 40kg.*

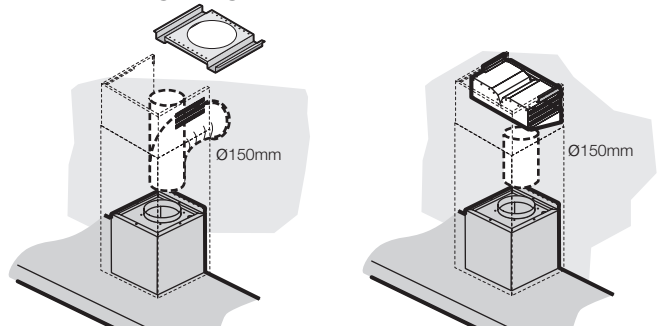
- Hang the body of the hood on the wall using the screws attached in step 3. To secure the hood body, use two (2) suitable screws and fix the top-edge of the motor housing to the wall.

Depending on the preferred installation/ducting mode, follow step 5a or 5b below:

- a) Recirculating Mode: Using the centre line, secure the flue fixing bracket to the wall with suitable screws, so that the location of the fixing holes are 63mm from the ceiling. Attach the recirculating T-piece to the flue fixing bracket using two M5x12mm screws (supplied). Secure bottom of T-piece assembly to wall using suitable screws.

**OR**

- b) Ducted Mode: Continue the centre line to the ceiling. Mark a line on the ceiling 14mm away from the wall. Locate the back edge of the flue cover mounting bracket on this line and centre. Screw the bracket to the ceiling using suitable screws.



*NOTE: Flue pipe shown is not included - must be purchased separately.*

### important

In recirculating mode, you must use carbon filters to eliminate cooking smells (Carbon filter model no. EFF72).

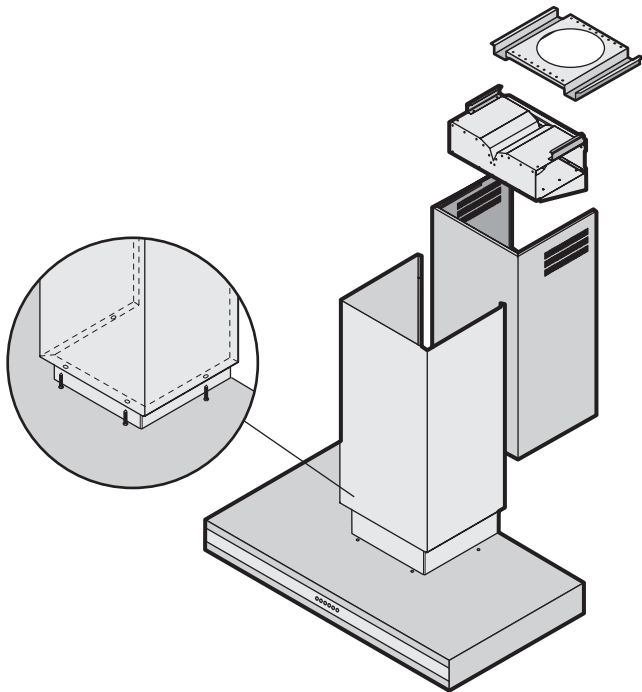
*NOTE: To ensure best performance of the rangehood use of straight ducting is recommended. The use of bends should be avoided. Rigid flexible ducting is suitable, although loose flexible ducting is unacceptable. All ducting must be fire retardant.*

- Connect an internal flue pipe (not included) between the fan outlet to the inlet of the T-piece/flue cover mounting bracket (depending on ducting mode).  
*NOTE: Before installing outer flue cover, ensure the power cord is connected to a suitable powerpoint.*

## Using the rangehood

### Installation of outer flue cover

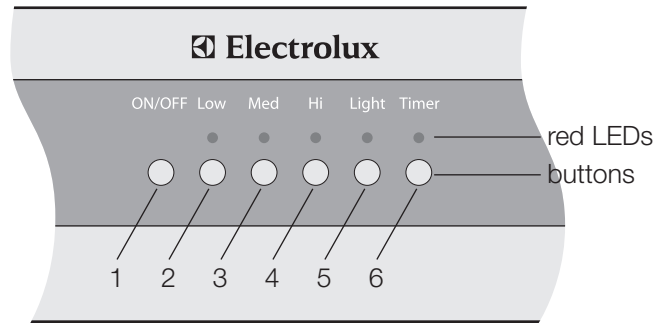
7. You will need to separate the outer and inner flue cover sections, and carefully peel the protective coating from both. Additionally, remove the protective coating from the hood body.  
Carefully reassemble the outer and inner flue sections by sliding the inner flue cover into the outer flue cover.
8. Holding both flue cover sections together, gently slide the inner flue cover section over the recirculating T-piece (for recirculating mode) or over the top-flue fixing bracket (for ducted mode) until the rear edge of the flue is touching the rear wall.  
Carefully lower the outer flue cover section to the top of the hood body.
9. With filters removed, fix the outer hood section to the hood body (using the M5x20mm screws supplied) by fixing through the under side of the hood body.



### **important**

Care must be taken to ensure the screws are not cross threaded when attaching the outer flue cover.

10. If installed in recirculating mode, insert the optional carbon filter (not supplied).
11. Replace the aluminium mesh filters. Your Electrolux rangehood is now ready for use.



### To switch Canopy ON and OFF

Depress push button 1 to turn the unit ON and depress push button 1 again to turn the unit OFF.

### Setting the power level required

Depress either of the push buttons 2,3 or 4 to select the desired power required for the type of cooking you are doing. Confirmation of the level selected is indicated by the red LED indicator above the selection chosen. Below is a guide only of the type of cooking being performed and suggested settings.

- setting Low – light frying/boiling
- setting Med – frying/wok cooking/heavy boiling
- setting Hi – grilling, intensive frying and wok cooking

### To switch Lights ON and OFF

Depress push button 5 to turn the lights ON and depress push button 5 again to turn the lights OFF. Confirmation of the light being selected is indicated by the red LED indicator above the light push button.

### Using the Timer

At the end of cooking if the timer is switched on the canopy rangehood will continue to run for an additional 15 minutes to remove any odours that remain at the completion of cooking. After 15 minutes the canopy will turn itself OFF.

Depress push button 6 to turn the timer ON and depress push button 6 again to turn the timer OFF, if you do not wish to let it run for the full amount of time. Confirmation of the timer being selected is indicated by the red LED indicator above the timer push button.

## Maintenance and cleaning

### caution

- **Before maintenance or cleaning is carried out, the canopy rangehood should be disconnected from the main power supply. Ensure that the rangehood is switched off at the wall socket and the plug removed.**
- **External surfaces are susceptible to scratches and abrasions, so please follow the instructions below to ensure the best possible result is achieved without damage.**

#### Stainless Steel Surface

Clean stainless steel surfaces using non-abrasive cleaning products that are specifically for use on stainless steel. To ensure best results also use an even pressure and follow the grain of the stainless steel. Use of a soft cloth reduces the risk of scratching. If the cloth is wet ensure that a dry soft cloth is used to wipe down the surface again reducing the risk of any surface rust appearing.

#### Glass Surface

The inlay glass panel can be cleaned using warm soapy water. Ensure the cloth is well wrung before cleaning. Use a dry soft cloth to remove any excess moisture left after cleaning.

#### Cleaning grease filters

The mesh filters can be cleaned either by hand or in the dishwasher. After cleaning ensure that the filters are completely dry before refitting.

By hand: Soak in warm water and some washing up liquid. For stubborn grease stains use a soft nylon brush to help remove these stains.

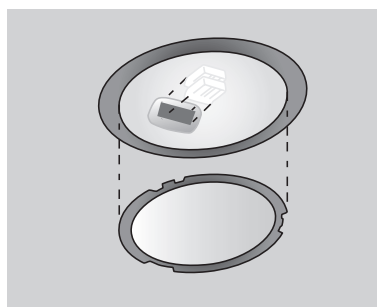
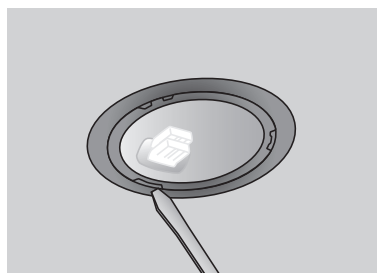
In a dishwasher: Ensure that placement of filters is made so as to no impede the functioning of the spray arm. Washing the filters in a dishwasher may cause discolouration of the filters although it will not affect their performance.

## Changing the halogen lamps

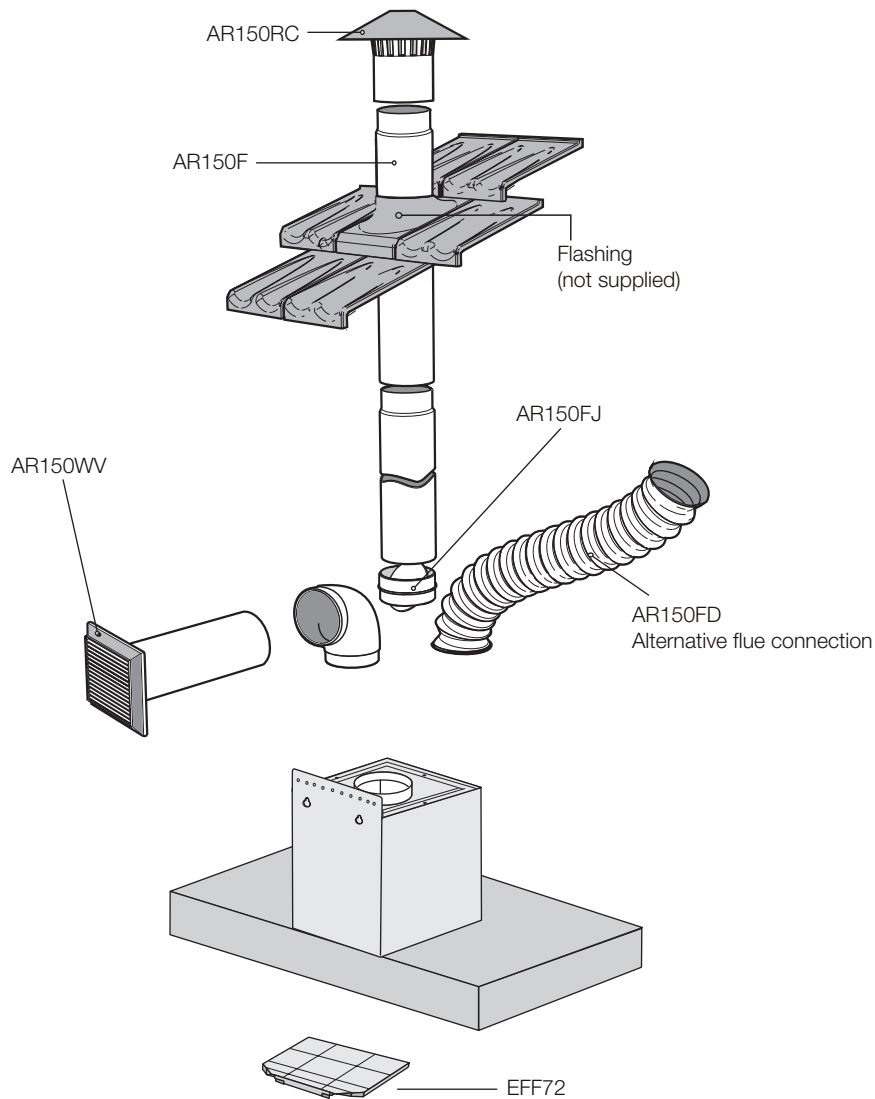
Using a small flat blade screwdriver remove the inner stainless steel ring to obtain access to the halogen globe. When removing the inner ring, do so carefully, as the glass lens could easily fall out of the inner ring. Remove halogen globe, whilst cool, and replace carefully with a new globe. The rangehood takes 2 x 20W, 12 volt halogen globes.

### important

When handling globes hold with a cloth or gloves to ensure perspiration does not come in contact with the globe as this can reduce the life of the globe.



## Optional ducting accessories



NOTE: Accessories are to be purchased separately.

Part Numbers	Description
AR150RC	150mm G/Bond Roof Cowl
AR150F	150mm G/Bond Flue 1200mm
AR159FD	150mm Alum Flexi Duct 1m
AR150WW	150mm Wall Vent + Flexi Duct
AR150FJ	150mm Flue Joiner
EFF72	Replacement carbon filters

NB: The ERCE90AS model is supplied with a recirculating T-piece. Therefore, if recirculating you only require carbon filters (Model No. EFF72)



## Electrolux Warranty

FOR SALES IN AUSTRALIA AND NEW ZEALAND  
APPLIANCE: ELECTROLUX E:LINE CANOPY RANGEHOOD

**This document sets out the terms and conditions of product warranties for the Electrolux E:Line canopy rangehood. It is an important document. Please keep it with your proof of purchase documents in a safe place for future reference should you require service for your Electrolux appliance.**

### General Terms and Conditions

1. In this warranty
  - (a) 'Electrolux' means Electrolux Home Products Pty Ltd ABN 51 004 762 341 in respect of Appliances purchased in Australia and Electrolux (NZ) Limited in respect of Appliances purchased in New Zealand;
  - (b) 'Appliance' means any Electrolux product purchased by you accompanied by this document;
  - (c) 'Warranty Period' means
    - (i) where you use the Appliance for personal, domestic or household purposes in Australia the period of "24" months and in New Zealand the period of "24" months;
    - (ii) where you use the Appliance for commercial purposes, in Australia the period of "3" months and in New Zealand the period of "3" months, (if the period stated is 0 months you are not covered by this product warranty) following the date of original purchase of the Appliance;
  - (d) 'you' means the purchaser of the Appliance not having purchased the appliance for re-sale, and 'your' has a corresponding meaning.
2. This warranty only applies to Appliances purchased and used in Australia or New Zealand and is in addition to (and does not exclude, restrict, or modify in any way) any non-excludable statutory warranties in Australia or New Zealand.
3. Electrolux warrants that, when dispatched from an Electrolux warehouse, the Appliance is free from defects in materials and workmanship for the Warranty Period.
4. During the Warranty Period Electrolux or its Authorised Service Centre will, at no extra charge if your appliance is readily accessible without special equipment, and subject to these terms and conditions, repair or replace any parts which it considers to be defective. You agree that any replaced Appliances or parts become the property of Electrolux. This warranty does not apply to light globes, batteries, filters or similar perishable parts.
5. Parts and Appliances not supplied by Electrolux are not covered by this warranty.
6. Where you are within an Electrolux service area, this warranty covers the cost of transport of the Appliance to and from Authorised Service Centres of Electrolux and travelling costs for representatives of the Authorised Service Centre to and from your home or business. If you are outside an Electrolux service area, you will bear these costs. For information about whether you are within an Electrolux service area, please phone 13 13 49 in Australia, or 0800 10 66 10 in New Zealand.
7. Proof of purchase is required before you can make a claim under this warranty.
8. You may not make a claim under this warranty unless the defect claimed is due to faulty or defective parts or workmanship. Electrolux is not liable in the following situations (which are not exhaustive):

- (a) The Appliance is damaged by:
    - (i) accident
    - (ii) misuse or abuse, including failure to properly maintain or service
    - (iii) normal wear and tear
    - (iv) power surges, electrical storm damage or incorrect power supply
    - (v) incomplete or improper installation
    - (vi) incorrect, improper or inappropriate operation
    - (vii) insect or vermin infestation.
  - (b) The Appliance is modified without authority from Electrolux in writing.
  - (c) The Appliance's serial number or warranty seal has been removed or defaced.
  - (d) The Appliance was serviced or repaired by anyone other than Electrolux or its Authorised Service Centres.
9. This warranty, the contract to which it relates and the relationship between you and Electrolux are governed by the law applicable in the Australian State where the Appliance was purchased or the law applicable in New Zealand if the Appliance was purchased in New Zealand. Where the Appliance was purchased in New Zealand for business purposes the Consumer Guarantee Act does not apply.

### Limitation of Liability

10. To the extent permitted by law:
  - (a) Electrolux excludes all warranties other than as contained in this document;
  - (b) Electrolux shall not be liable for any loss or damage whether direct or indirect or consequential arising from your purchase, use or non-use of the Appliance.
11. Provisions of the Trade Practices Act and State consumer legislation in Australia, and the Consumer Guarantees Act, the Sale of Goods Act and the Fair Trading Act in New Zealand, imply warranties or conditions, or impose obligations, upon Electrolux which cannot be excluded, restricted or modified. To the extent permitted by law, the liability of Electrolux (if any) arising out of or in relation to the Appliance or any services supplied by Electrolux shall be limited (where it is fair and reasonable to do so):
  - (a) in the case of Appliances, at its option, to the replacement or repair of the Appliances or the supply of equivalent products or the payment of the cost of replacing the Appliances or having the Appliances repaired or of acquiring equivalent Appliances. Upon being replaced, parts and Appliances become the property of Electrolux; or
  - (b) in the case of services, at its option, to the supply of the services again or the payment of the cost of having the services re-supplied;
 and in the case of Appliances or services supplied in New Zealand, loss or damage whether direct or indirect or consequential that is reasonably foreseeable.

### Privacy

You acknowledge that in the event that you make a warranty claim it will be necessary for Electrolux and its Authorised Service Centres to exchange information in relation to you to enable Electrolux to meet its obligations under this warranty.

### Important Notice

Before Calling a Service Technician please check carefully the operating instructions, service booklet and the warranty terms and conditions.

<p><b>FOR SERVICE</b> or to find the address of your nearest state service centre in Australia <b>PLEASE CALL 13 13 49</b> For the cost of a local call (Australia only)</p>	<p><b>SERVICE AUSTRALIA</b>  ELECTROLUX HOME PRODUCTS www.electrolux.com.au</p>	<p><b>FOR SPARE PARTS</b> or to find the address of your nearest state spare parts centre in Australia <b>PLEASE CALL 13 13 50</b> For the cost of a local call (Australia only)</p>
<p><b>FOR SERVICE</b> or to find the address of your nearest authorised service centre in New Zealand <b>FREE CALL 0800 10 66 10</b> (New Zealand only)</p>	<p><b>SERVICE NEW ZEALAND</b>  ELECTROLUX HOME PRODUCTS www.electrolux.co.nz</p>	<p><b>FOR SPARE PARTS</b> or to find the address of your nearest state spare parts centre in New Zealand <b>FREE CALL 0800 10 66 20</b> (New Zealand only)</p>



**Electrolux Home Products Australia**

telephone: 1300 363 640

fax: 1800 350 067

email: [customercare@electrolux.com.au](mailto:customercare@electrolux.com.au)

web: [www.electrolux.com.au](http://www.electrolux.com.au)

**The Thoughtful Design Innovator.**

Do you remember the last time you opened a gift that made you say "Oh! How did you know? That's exactly what I wanted!" That's the kind of feeling that the designers at Electrolux seek to evoke in everyone who chooses or uses one of our products. We devote time, knowledge, and a great deal of thought to anticipating and creating the kind of appliances that our customers really need and want.

This kind of thoughtful care means innovating with insight. Not design for design's sake, but design for the user's sake. For us, thoughtful design means making appliances easier to use and tasks more enjoyable to perform, freeing our customers to experience that ultimate 21st century luxury, ease of mind. Our aim is to make this ease of mind more available to more people in more parts of their everyday lives, all over the world. So when we say we're thinking of you, you know we mean just that.

**Electrolux. Thinking of you.**

Share more of our thinking at [www.electrolux.com.au](http://www.electrolux.com.au)

**P/No. XXXXXXX**

© Copyright 2007 Electrolux Home Products Pty Ltd  
ABN 51 004 762 341

Print code: ELINERANUM  
Issue date: Apr 07