

Thinking of you

 **Electrolux**



user manual
gas cooktops

EHGC77BS, EHGC97BS,
EHGF77BX & EHGF97BX

Congratulations

Congratulations and thank you for choosing our gas cooktop. We are sure you will find your new cooktop a pleasure to use and a great asset to your cooking. Before you use the cooktop, we recommend that you read through the whole user manual which provides the description of the cooktop and its functions. To avoid the risks that are always present when you use a gas appliance, it is important that the cooktop is installed correctly and that you read the safety instructions carefully to avoid misuse and hazards.

For future reference, please store this booklet in a safe place.

Contents

• General warnings	1
• Using your cooktop	2
• Burners	3
• Cleaning and care	4
• Troubleshooting	5
• Technical data	6
• Installation instructions	7
• Installation procedure	8
• Gas connection	9
• LP conversion	10
• Electrical connection	11
• Testing appliance operation	12
• Warranty	13



environmental tip

Information on disposal for users

- Most of the packaging materials are recyclable. Please dispose of these materials through your local recycling depot or by placing them in appropriate collection containers.
- If you wish to discard this product, please contact your local authorities and ask for the correct method of disposal.

Figure 1a

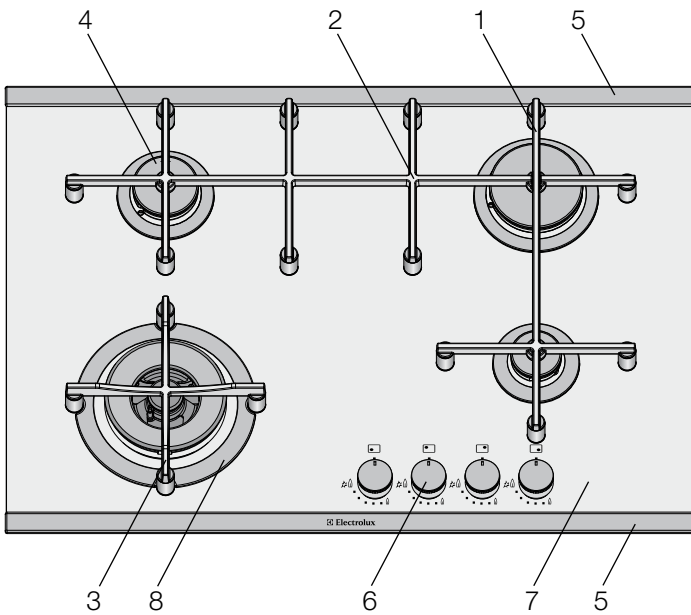
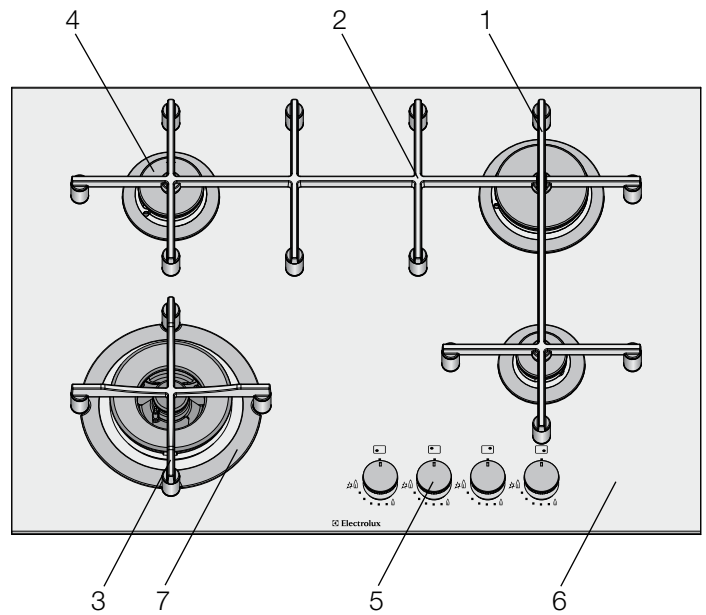


Figure 1b



EHGC77BS

1. removable cast iron trivet side
2. removable cast iron trivet top
3. removable wok trivet
4. burners – each unit has a small, medium, large and wok burner
5. stainless steel trim
6. control knob
7. ceramic glass hob – the glass hob is resistant to heat, cold and rapid temperature changes, but is vulnerable to impact. A pepper mill falling on the hob could crack it. Never stand or put heavy loads on the hob, or use as a storage space.
8. enamelled burner skirts

EHGF77BX

1. removable cast iron trivet side
2. removable cast iron trivet top
3. removable wok trivet
4. burners – each unit has a small, medium, large and wok burner
5. control knob
6. stainless steel hob
7. stainless steel burner skirts

Figure 2a

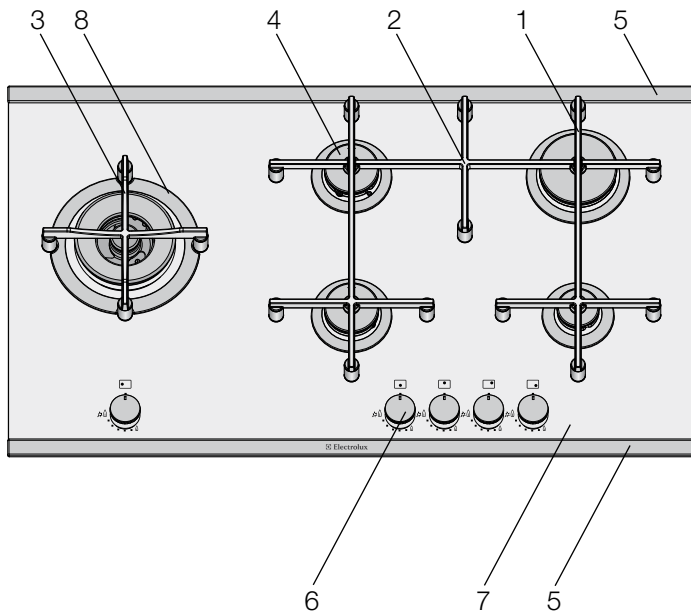
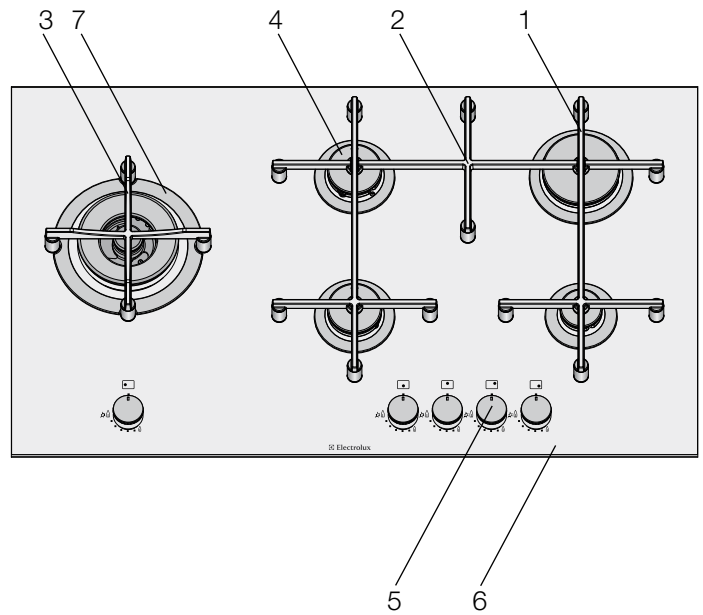


Figure 2b



EHGC97BS

1. removable cast iron trivet side
2. removable cast iron trivet top
3. removable wok trivet
4. burners – each unit has a small, medium (2 per), large and wok burner
5. stainless steel trim
6. control knob
7. ceramic glass hob – the glass hob is resistant to heat, cold and rapid temperature changes, but is vulnerable to impact. A pepper mill falling on the hob could crack it. Never stand or put heavy loads on the hob, or use as a storage space.
8. enamelled burner skirts

EHGF97BX

1. removable cast iron trivet side
2. removable cast iron trivet top
3. removable wok trivet
4. burners – each unit has a small, medium (2 per), large and wok burner
5. control knob
6. stainless steel hob
7. stainless steel burner skirts

General Warnings

Please read the user manual carefully and store in a handy place for later reference. Pass the user manual on to possible new owners of the cooktop.

The symbols you will see in this booklet have these meanings:



warning

This symbol indicates information concerning your personal safety



caution

This symbol indicates information on how to avoid damaging the cooktop



tips and information

This symbol indicates tips and information about use of the cooktop



environmental tip

This symbol indicates tips and information about economical and ecological use of the cooktop

Meanings of symbols used in this manual are shown below:

This symbol indicates never to do this

This symbol indicates always do this



warning

- Do not allow pots to boil dry, as damage to both pan and cooktop may result.
- Do not operate the cooktop for an extended period of time without a pot or pan on the burner.
- Do not allow large cookware to overhang the cooktop onto adjacent benchtop. This will cause scorching to the benchtop surface.
- Do not allow cooking pots or pans to intrude into the area which is close to the controls.
- Ensure burner bodies and trivets are properly located (see Figure 3).

NOTE! You must read these warnings carefully before installing or using the cooktop. If you need assistance, contact your Customer Care Department. The manufacturer will not accept liability, should these instructions or any other safety instructions incorporated in this book be ignored.



caution

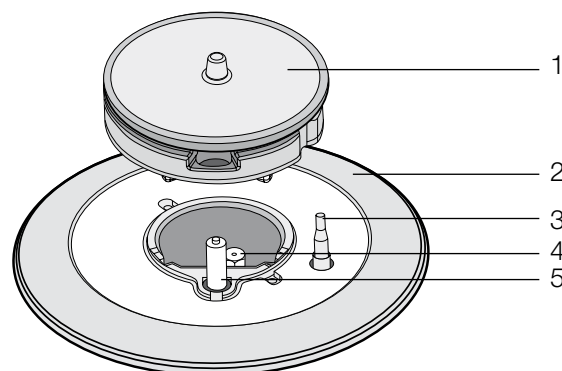
Read the following carefully to avoid an electric shock or fire.

It is important to use your cooktop safely. Check these safety points before using your cooktop.

- ⊘ This appliance is not intended for use by persons (including children) with reduced physical, sensory or mental capabilities, or lack of experience and knowledge, unless they have been given supervision or instruction concerning use of the appliance by a person responsible for their safety.
- ⚠ Children should be supervised to ensure they do not play with this appliance.
- ⚠ During use, this appliance becomes hot. Care should be taken to avoid touching hot surfaces. To avoid burns, young children should be kept away.
- ⊘ This appliance must not be used as a space heater.
- ⚠ Keep vents clear of obstructions.
- ⚠ In order to avoid a fire, this appliance must be kept clean.
- ⊘ Do not spray aerosols in the vicinity of this appliance while it is in operation.
- ⊘ Do not store flammable materials on or under this appliance, eg. aerosols.
- ⊘ Do not remove the trivet and enclose the burner with a wok stand as this will concentrate and deflect heat onto the burner.
- ⊘ Do not use large pots or heavy weights which can bend the trivet or deflect flame onto the burner.
- ⊘ Do not place anything, eg. asbestos mat between pan and trivet as serious damage to the cooktop may occur.
- ⚠ For maximum stability, ensure pots and pans are centrally located on the trivets.
- ⚠ Handles should be turned away from the front of the bench to avoid accidents.
- ⊘ Do not modify this appliance.

Description of the burner

Figure 3



- | | |
|---------------------------|------------------------|
| 1. burner | 4. injector |
| 2. skirt | 5. ignition spark plug |
| 3. flame safeguard sensor | |

Using your cooktop

Installation

- An authorised person must install this appliance and **MUST provide a certificate of compliance.** This certificate should be retained along with purchase information.
- Before using the appliance, ensure that all packing materials are removed from the appliance.
- In order to avoid any potential hazard, the installation instructions in this booklet, and any labels on the appliance must be followed.
- Ensure that all specified vents, openings and air spaces are not blocked.
- Where the appliance is built into a benchtop, the benchtop material must be capable of withstanding 85°C.
- Ensure that the duplicate rating label (in the instruction pack) is attached to a readily accessible adjacent surface, so that the cooktop can be easily identified in the case of a service call.

Servicing

- Servicing **MUST** only be carried out by authorised personnel.
- To maintain safe operation, it is recommended that the product be inspected every five years by an authorised service person.
- If the supply cord is damaged, it must be replaced by an authorised service person in order to avoid a hazard.

Cleaning

- Always ensure the appliance is turned off before cleaning.
- This appliance contains aluminium fittings.
Do not use caustic based cleaners.
- Do not use steam cleaners as this may cause moisture build up on electrical components.
- Always clean the appliance immediately after any food spillage.
- Do not place bodies and caps in a dishwasher.

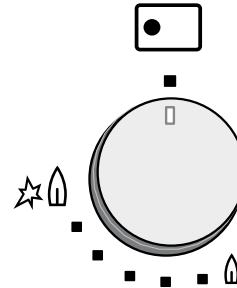
caution

- Do not place burners in a dishwasher.

Controls

Each burner is controlled by a control knob. The markings on the control panel indicate which burner the knob controls, and the setting for that burner (see Figure 4).

Figure 4




NOTE! Gas controls turn anticlockwise from 'OFF' and have limited movement.


Lighting burners

Electronic ignition: These cooktops are fitted with mains powered ignition. When the appliance has been connected and the power is on, depressing any knob will release sparks to all burners.

caution

- Keep hands clear of burners when lighting.
- If burner does not light within 5 seconds, turn knob to 'OFF' position, allow gas to disperse, then try lighting again.
- Burners **MUST** be operated between 'HIGH' and 'LOW' settings only.

To light a burner, the knob must be turned to the  'HIGH' position, then pushed down as far as possible for approximately 5 seconds. If the flame goes out when the knob is released simply depress the knob again, this time holding it down with slightly more force for the same length of time.

The height of the flame can be varied by turning the control knob toward the  'LOW' position.

In the absence of electrical power, carry out the ignition directly to the burner with a hand held ignition source.

Burners

Choice of burner

For your convenience there is a choice of burners –

- A small burner for special low heat and slow cooking.
- A medium burner for normal cooking and simmering (one on the four burner model and two on the five burner model).
- A large burner for fast heating and large pots and pans.
- A wok burner for very fast heating using a wok or large pot or pan.

To conserve gas place the pan centrally over the burner and adjust the flame so that it does not extend past the edge of the pan (Figure 5). Do not boil food too rapidly. A vigorous boil will not cook food any faster, and will waste energy.

Pots and pans

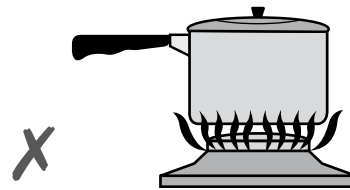
All common pots and pans; aluminium, stainless steel, cast iron, ceramic, etc., may be used on your new gas cooktop. Ensure that the pots or pans are steady and have flat bases to avoid dangerous spill-over of hot liquids and wasted energy.

caution

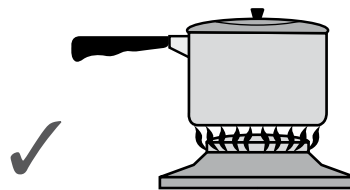
Never use asbestos mats, wire mats or grids, aluminium foil as it can lead to overheating, cracked enamel or broken glass. The warranty will be void if these items are used and cause a failure. Woks should only be used on the wok burner and wok support trivet.

Figure 5

Choice of flame height

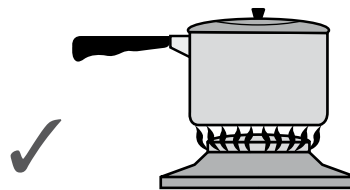


Incorrect – flame too high and will cause gas waste and possible handle damage.

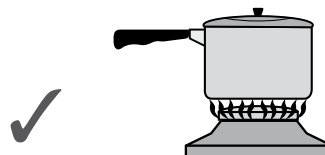


Correct flame height. Gas saved.

Choice of cooking utensils



For a large burner, use a large utensil.



For a small burner, use a small utensil.

Cleaning and care

caution

Ensure the appliance is off and cool before cleaning.

Enamel (on burner skirts and trivets)

Persistent stains may require rubbing with a nylon scourer or creamed powder cleansers. Household enamel cleaners are available, follow the manufacturer's instructions in their use. **Harsh abrasive cleaners, powder cleaners, steel wool or wax polishes should not be used.**

Stainless steel (*trims and models with stainless steel hob*)

Simply wipe with a soft cloth using warm water and a mild detergent and rinse with clean water. Where stainless steel has become extremely dirty or discoloured, use a stainless steel cleaner – but be sure to follow the brushing lines.

caution

DO NOT use abrasive cleaners or harsh solvents.

Ceramic glass (*on models with glass hob*)

The specially treated glass in the product is manufactured using the latest technology to the highest possible standards for both safety and reliability. However, it must be remembered that as it is **CERAMIC GLASS**, it may break. Treat it accordingly. To clean the ceramic glass hob use a soft cloth or sponge with detergent and warm water.



warning

If the surface is cracked, switch off the appliance immediately to avoid the possibility of electric shock.

If the hob is very soiled:

1. Remove soilage using the razor blade scraper.
2. Use a hob cleaner product after there has been sufficient time allowed for the hob to cool. Shake the bottle and apply a small quantity of cleaner directly onto the hob. Rub clean using a damp cloth or paper towels.
3. Use a damp cloth to remove all remaining traces of the cleaner, which could otherwise burn on when the hob is next used. Wipe the hob dry.

caution

Use the scraper supplied to remove spillages immediately, while the hob is still hot! Especially sugar and foods with a high sugar content (eg. jam), melted plastics and foil, all of which can damage the hob if left.

Razor blade scraper

Use the scraper to remove spillages from the ceramic hob.

How to use the razor blade scraper:

1. Pull back the protective cover until the blade is visible.
2. Make sure that the razor blade is clean and not worn. There is a risk, otherwise, that it might damage the hob. New razor blades can be bought from pharmacies.
3. Angle scraper at approx. 45° and scrape away the spillage. The razor blade can be pressed down hard onto the hob without causing any damage.
4. Carefully clean the blade by wiping it with a paper towel.
5. When you have finished, press the protective cover forwards as far as it will go. Keep the scraper out of the reach of children.

Changing the razor blade:

1. Open the scraper by completely unscrewing the screw and then place the new razor blade at the front edge.
2. Put the scraper together again and screw the screw back into place.
3. Press the protective cover forwards as far as it will go to cover the razor blade.

caution

THE RAZOR BLADE SCRAPER SHOULD BE KEPT WELL OUT OF THE REACH OF CHILDREN. Use the razor blade scraper carefully, as the razor blade is extremely sharp.

Trivets and burners

These can all be lifted off and removed for separate cleaning.

NOTE! When refitting the burners, ensure that they are correctly seated.

Ensure burners are thoroughly dried after cleaning or spillage. When cleaning the burners, ensure that all the flame ports are free of any blockage. If necessary, use a toothpick or brush to clear ports. The outer surface of the burner caps have a polished finish and extra care needs to be taken to avoid scratching this surface during cleaning. In instances of heavy soiling, it may be necessary to apply a non-abrasive cleaning compound and rub with a cloth until the soiling is removed and then finish with a soft, dry cloth.

NOTE! DO NOT place trivets or burners in the dishwasher.

Ignition spark plug and flame safeguard sensor

GENTLY clean the ignition spark plug and flame safeguard sensor with a damp cloth to avoid lighting difficulties. Ensure that they are dry before use.

Injector

Ensure the injector remains free of any foreign material. If necessary, use a thin piece of wire to clear the orifice.

Troubleshooting

If you have a problem with the cooktop, check the table below. You may be able to solve the problem and this will save you from paying for a service call. You will have to pay for a service call even in the warranty period if the problem is one listed below.

Table 1

Fault	Possible Cause	Remedy
Burner will not light even though the sparkler is working.	Knob not held down long enough in 'HIGH' position for flame safeguard.	Repeat lighting procedure and hold knob down for 5 seconds in 'HIGH' position. (Refer page 2).
	Gas supply valve turned off.	Turn on gas supply to appliance.
	Wrong knob turned.	Ensure the knob you are turning corresponds to the burner you want to light.
	Port blockage in ignition area.	Ensure that ports in ignition area are clean and dry.
	Ignition spark plugs wet or dirty.	Dry or clean ignition spark plugs.
No spark is obtained when control knob is activated.	Electricity supply is disconnected or switched off.	Switch on electricity or check fuses.
	Ignition spark plugs wet or dirty.	Dry or clean ignition spark plugs.
Flames uneven or tending to lift.	Flame ports blocked or wet.	Clean or dry flame ports.
	Burner cap incorrectly fitted.	Ensure this component is fitted correctly.
Flames not staying on when knob is released.	Knob not held down long enough in 'HIGH' position for flame safeguard to engage.	Repeat lighting procedure and hold knob down for 5 seconds in 'HIGH' position. (Refer page 2)
	Knob not set between 'HIGH' and 'LOW'.	Knob MUST be set between these positions.
	Dirt or spillage on flame safeguard sensor.	Clean flame safeguard sensor tip.
Low heat, slow cooking.	Incorrect cooking pot or pan being used.	Refer to Figure 5 (page 3).
Benchtop or knobs overheating.	Incorrect cooking pot or pan used.	Check Figure 5 for correct pot or pan to be used.
	Pot or pan not located on burner properly.	Ensure pot or pan is centrally located on burner.

Technical data

**We reserve the right to alter these specifications.
This appliance conforms to AS 4551.**

Table 2

Features	EHGC77BS	EHGF77BX	EHGC97BS	EHGF97BX
Cooking zones	4	4	5	5
Wok	Yes, triple ring	Yes, triple ring	Yes, triple ring	Yes, triple ring
Ignition	220-240V	220-240V	220-240V	220-240V
Trivet	Cast	Cast	Cast	Cast
Hob material	Ceramic glass	Stainless steel	Ceramic glass	Stainless steel
Features	Ignition through knobs	Ignition through knob	Ignition through knobs	Ignition through knob
Flame safeguard	Yes	Yes	Yes	Yes
Colours	Black	Stainless steel	Black	Stainless steel
Gas types	NG, (LP conversion kit supplied)	NG, (LP conversion kit supplied)	NG, (LP conversion kit supplied)	NG, (LP conversion kit supplied)
Cooktop dimensions mm				
Width	746	744	896	894
Depth	531	530	531	530
Height	55	55	55	55
Cut out dimensions mm				
Width	680	680	860	860
Depth	490	490	490	490
Energy rating (NG) – MJ/h				
Small burner	5.1	5.1	5.1	5.1
Medium burner	9.0	9.0	2 x 9.0	2 x 9.0
Large burner	12.1	12.1	12.1	12.1
Wok burner	15.0	15.0	15.0	15.0
Total MJ/h	41.2	41.2	50.2	50.2

Installation instructions

This appliance must be installed by an authorised person and in compliance with:

1. **AS 5601 'Gas Installations' (Australia) or NZS 5261 'Installation of Gas Burning Appliances and Equipment' (New Zealand)** or the relevant installation code for gas appliances of your country.
2. The local gas fitting regulations, municipal building codes, electrical wiring regulations and any other relevant statutory regulations.
3. The particular instructions as given below.



caution

Cooktops are supplied set up for natural gas (NG). To use on LPG, the injectors must be changed using the conversion kit supplied. Refer LP conversion on page 10.

4. A certificate of compliance **MUST** be given to the customer after the application is successfully installed.

Figure 6a

EHGC77BS & EHG77BX – Proud Fit

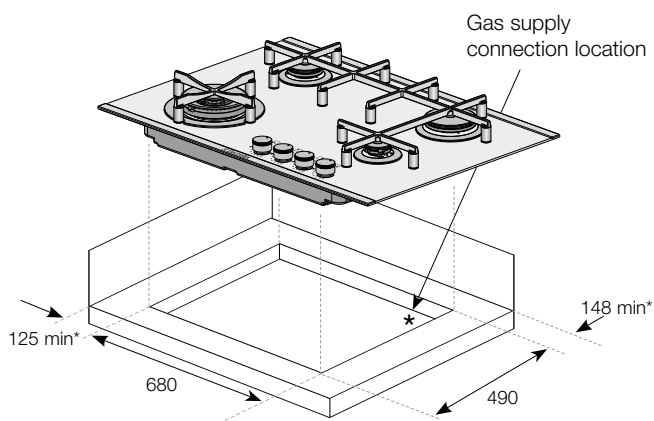
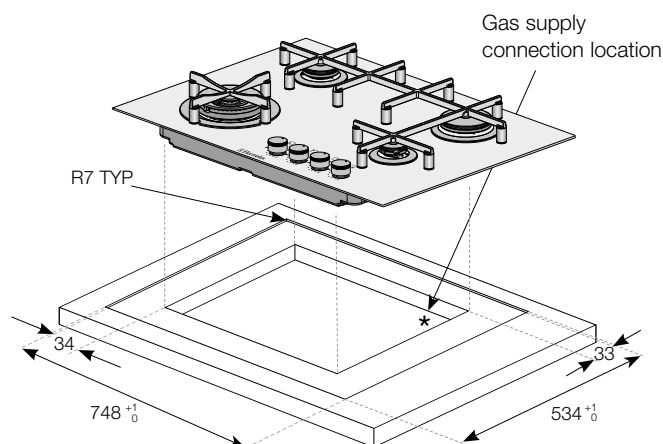
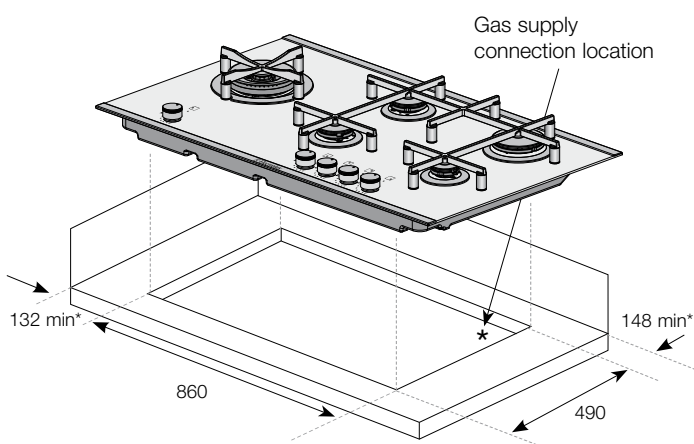


Figure 6b

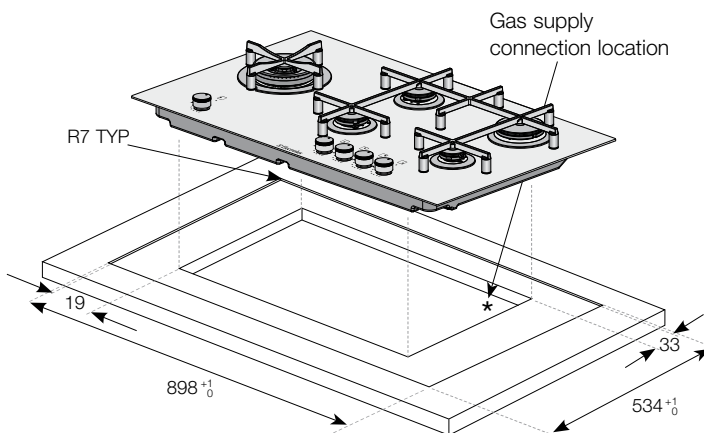
EHGF77BX – Additional Flush Fit detail
(Stainless Steel model only)



EHGC97BS & EHG97BX – Proud Fit



EHGF97BX – Additional Flush Fit detail
(Stainless Steel model only)



*to combustible surface

Installation procedure

1. The bench cutout should be made as per cutout dimensions in Table 2 and Figure 6.
2. **Adjacent walls, cupboards and protection for combustible materials:** Ensure that the appliance is installed with Section 5.12.1 of AS 5601 (Australia) or Section 14.1 of NZS 5261 (New Zealand), regarding clearances to combustible surfaces and materials, and clearance to rangehoods and exhaust fans. To ensure clearances of 200mm from burners to vertical combustible surfaces observe the dimensions shown in Figure 7. Clearances to combustible materials may be reduced if combustible surfaces are protected in accordance with clause 5.12.1.2 of AS 5601 (Australia) or section 14.1.2 of NZS 5261 (New Zealand).
3. **Optional barrier:** A barrier can be installed to prevent accidental contact with the cooktop base, where the base of the cooktop is accessible from below (ie inside a cupboard, etc). An impression has been incorporated into the base to ensure a minimum clearance of 15mm is maintained between the base and the barrier. This barrier may be made of any non-combustible, rigid material.
4. A FOAM SEAL has been provided and is to be applied along the perimeter of the hob.
5. Fit the pull down clamps supplied to ensure that the cooktop cannot move after installation.



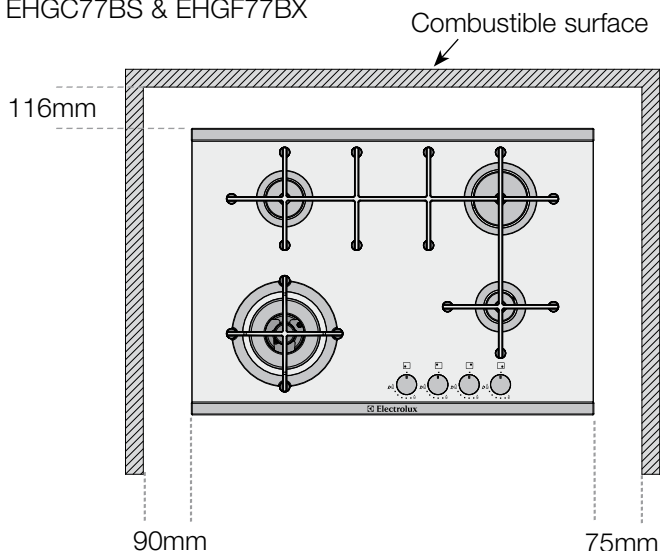
warning

Failure to fix the cooktop to the bench could result in loosening of the gas connection through movement of the cooktop and a gas leak may result.

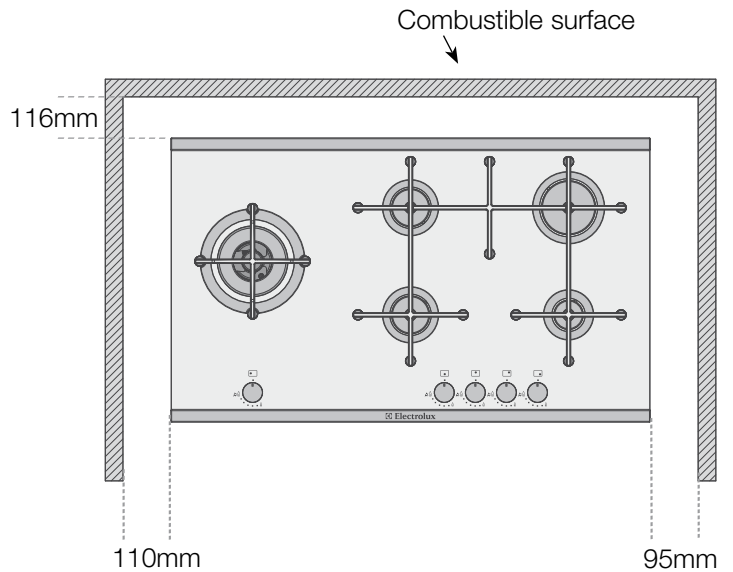
Four clamps and screws are supplied with 4-burner models and six clamps and screws are supplied with 5-burner models. Fit the clamps as shown in Figure 8. The clamp location points are shown in Figure 9.

For flush fit installation or when benchtops are less than 33mm in thickness, it will be necessary to fit a spacer between the benchtop and each clamp to ensure clamps can be tightened sufficiently.

Figure 7
EHGC77BS & EHG77BX



EHGC97BS & EHG97BX



Flush fit installation method (EHGF77BX & EHG97BX)

Important note: All cut-outs in the benchtop area are to be carried out at a specialist workshop.

The cut must be clean and precise, since the cut edge is visible on the benchtop surface. The stability of furniture being worked on must be ensured following the cut-outs.

Use special heat and water resistant benchtops (e.g. natural stone or tiled). See figures 6b and 8b for cutting dimensions.

Place the hob into the cut-out and align it, ensuring the gaps around the edges between the hob and the benchtop are even on all sides. Fit clamps as shown in figure 8 at the location points shown in figure 9.

Check the function and location of the hob.

Fill the gaps between the hob and benchtop with a suitable commercial silicone sealant in a colour of your choice.



caution

Use of an unsuitable silicone sealant on natural stone benchtops can cause permanent discolouration.

Before the silicone sealant starts to form a skin, moisten a blade or your finger with a soapy solution and smooth it over. The hob should only be used once the silicone sealant has hardened. Do not use foam seal in this application.

Operation on N.G./S.N.G.

Gas connection

This appliance is supplied for use with Natural Gas. However, it can be converted for use with LPG. Refer to LP conversion on page 10.

Supply pipe sizing

The total hourly gas consumption for the appliance is shown on the data label. The required supply pressure (i.e. at inlet to appliance regulator) for each gas type is shown on the data label, and given in Table 3 (page 10). Use this information in conjunction with the length of run, number of elbows, tees and bends, the available service pressure and the supply requirements of other installed appliances to determine a suitable pipe size. For assistance in this matter refer to the appropriate section of the Installation Code AS5601.

An AGA certified class B or D flexible connection may be used to connect the cooktop in accordance with the AS5601 and in particular section 4.8. Where a hose assembly is used and the cooktop is in the installed position, the hose assembly shall be suitable for connection to a fixed consumer piping outlet located at a point 800 – 850mm above the floor and in the region outside the width of the appliance to a distance of 250mm. The point of connection to consumer piping must be accessible with appliance installed.

Elbow positioning

It is possible to reposition the elbow if required by loosening the locking nut and elbow by using two spanners. Re-tighten the entire assembly after the elbow has been repositioned. When fitting elbow to appliance, ensure that the sealing washer is fitted.

Regulator

An appliance regulator is provided. The regulator must be positioned so that the pressure test nipple is accessible when the appliance is installed.

Connect the gas supply to the 1/2" B.S.P. internal thread inlet of the regulator. Refer to 'bench cutout' (Figure 6) for connection point position.

Regulators are supplied pre-adjusted and configured by the component maker for use with Natural Gas.

The appliance installer is not required to make an adjustment to obtain the correct outlet pressure setting.

An arrow on the base of the regulator indicates the direction of gas flow when the inlet and outlet of the regulator is orientated correctly. When the regulator has been fitted check for leaks from the connections with soapy water.

Figure 8a – Proud Fit

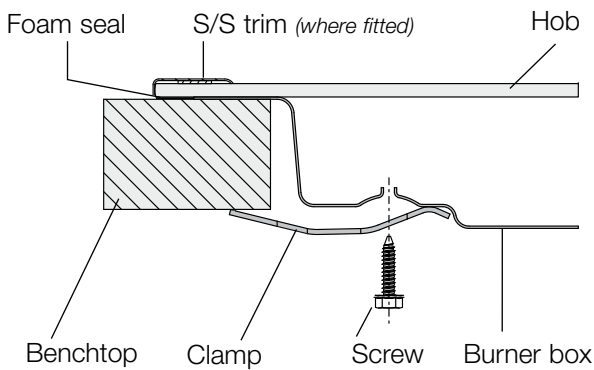


Figure 8b – Flush Fit (Stainless Steel models only)

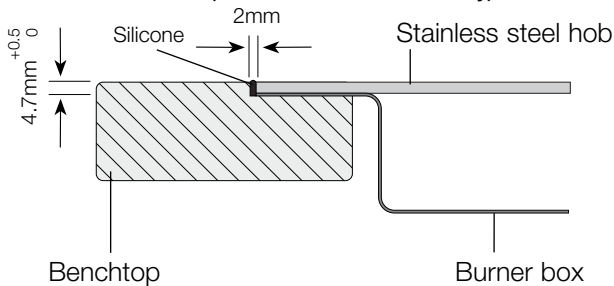
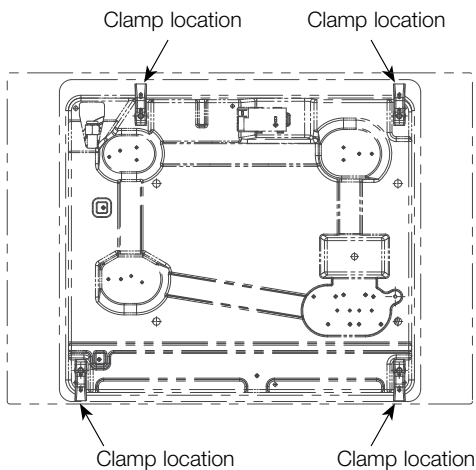
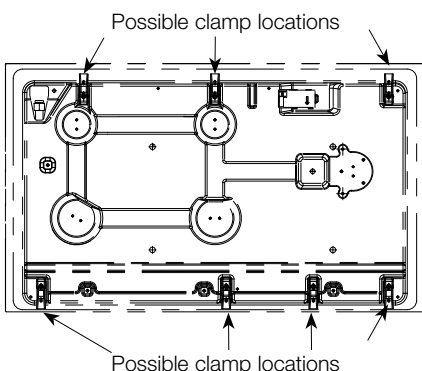


Figure 9

EHGC77BS & EHG97BX (Bottom view)



EHGC97BS & EHG97BX (Bottom view)



Operation on N.G./S.N.G.

Assembly of Regulator

The assembly of the regulator to the cooktop manifold is achieved via the elbow union and sealing washer supplied, refer to figure 10.

The ½” parallel thread connects to the manifold, and the sealing washer is placed between the manifold end and the flat face on the elbow.

The ½” tapered thread connects to the outlet of the regulator, and is sealed on the thread using approved thread sealing tape or approved thread sealing compound.

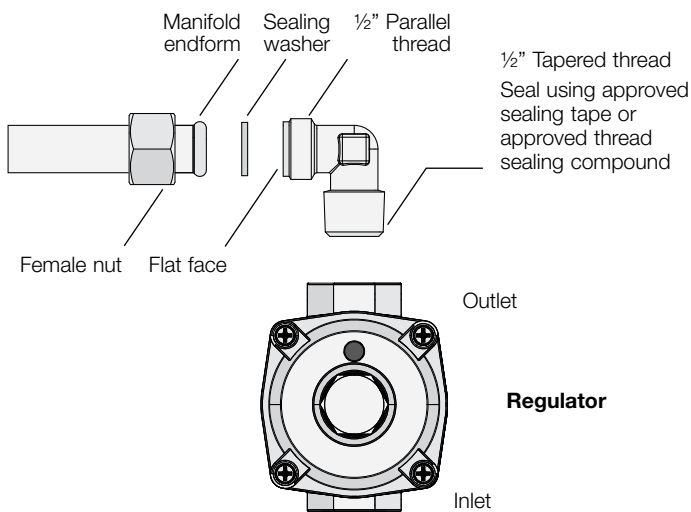
The inlet of the regulator is a ½” parallel thread and is connected to consumer piping or hose assembly.

Regulators are supplied pre-adjusted and configured by the component maker for use with Natural Gas.

The appliance installer is not required to make an adjustment to obtain the correct outlet pressure setting.

An arrow on the base of the regulator indicates the direction of gas flow when the inlet and outlet of the regulator is orientated correctly. When the regulator has been fitted check for leaks from the connections with soapy water.

Figure 10



Checking the gas supply

1. Check the manometer zero point is correct.
2. Connect the manometer to the cooktop pressure point. This is located on the regulator.
3. Turn on the gas supply and electricity and try to ignite the gas.

NOTE! It will take additional time to light the gas for the first time as air needs to be purged from the pipes.

4. With the appliance operating check the outlet pressure
 - when all burners of the appliance are operating at maximum,
 - when the smallest burner of the appliance is operating at minimum.

Under these conditions the outlet pressure should not vary from the nominal outlet pressure of 1.00kPa by more than ±0.20kPa.

If the regulator appears to not be performing satisfactorily, then check the following points.

1. If the outlet pressure is consistently too low then the inlet pressure may be too low and adjustment of an upstream regulator may be needed, or an upstream regulator or valve with insufficient flow capacity may be present in the gas supply line. If this is suspected then it may be necessary to repeat the checks whilst measuring both the inlet and outlet pressure to determine if the inlet pressure is in the range 1.13 – 5kPa.

2. Check that the regulator has been fitted to the gas supply line in the correct orientation, the arrow on the base of the body indicates the direction of gas flow. Once these checks have been completed, if the regulator still fails to perform in a satisfactory manner it should be replaced.

LP Conversion – Important

This appliance is fitted with Natural Gas burner injectors.

Please follow the procedure below if a conversion to suit LP gas is required.

The conversion kit contains appropriate LPG injectors and 1 LPG sticker.

Table 3

Burner type	Natural Gas (Nominal test point pressure: 1.00kPa)		LPG (Nominal test point pressure: 2.60kPa)	
	Injector size (mm)	Gas consumption (MJ/h)	Injector size (mm)	Gas consumption (MJ/h)
Small burner	1.00	5.1	0.55	4.2
Medium burner	1.35	9.0	0.70	6.5
Large burner	1.60	12.1	0.90	10.7
Wok burner	1.80	15.0	1.00	13.2

1. Remove the hotplate burners to access the hotplate injectors. Replace the factory fitted NG injectors with the appropriate injectors, as supplied (see Table 3).
2. Unscrew the hex nut from the regulator. The hex nut, brass washer and nylon insert will disengage as an assembly.
3. Unclip the nylon insert and nut assembly by rotating the insert ¼ turn, and pulling it free.
4. Turn over the insert and clip back into position.
5. Refit the hex nut assembly to the regulator ensuring that it is fully screwed down. The regulator is now set for connection to LP.
6. Turn on the gas supply and at each new connection check for leaks using soapy water: each hotplate valve should be turned on, one at a time, and the injector hole blanked off for several seconds.
7. The operation of the regulator can be confirmed by connecting a manometer to the pressure test point located on the side of the regulator body adjacent to the outlet.

With the appliance operating check the outlet pressure

- when all burners of the appliance are operating at maximum,
- when the smallest burner of the appliance is operating at minimum.

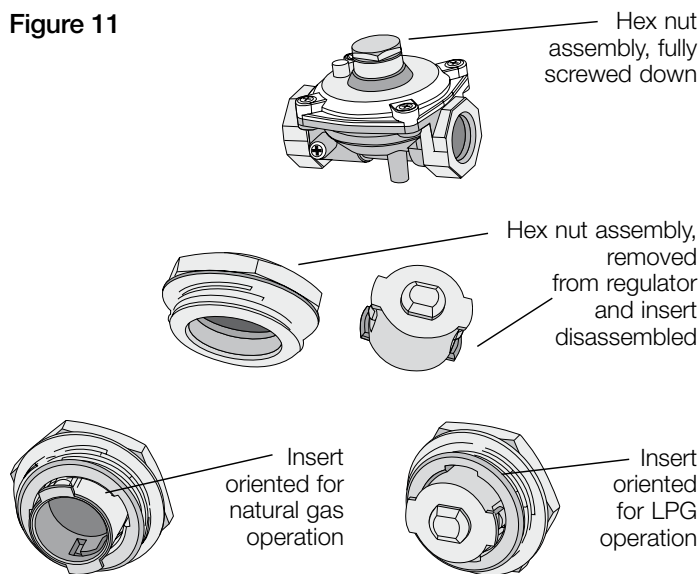
Under these conditions the outlet pressure should not vary from the nominal outlet pressure of 2.60kPa by more the +/-0.52kPa.

8. If the regulator appears to not be performing satisfactorily then check the following points.
 - If the outlet pressure is consistently too low then the inlet pressure may be too low and adjustment of an upstream regulator may be needed, or an upstream regulator or valve with insufficient flow capacity may be present in the gas supply line. If this is suspected then it may be necessary to repeat the checks whilst measuring both the inlet and outlet pressure to determine if the inlet pressure is in the range 2.75 – 7.00kPa.
 - Check that the insert has been fitted correctly as per diagram figure 11. Check that the hex nut is fully screwed down.
 - Check that the regulator has been fitted to the gas supply line in the correct orientation, the arrow on the base of the body indicates the direction of gas flow.

Once these checks have been completed, if the regulator still fails to perform in a satisfactory manner it should be replaced.

9. One by one, turn the knobs to minimum and screw in the bypass screw (accessible when the knob is removed) until a small stable flame results. Turn the knob to maximum and then back to minimum to ensure that the correct minimum flame is maintained.
10. Attach the LPG sticker to the cooker, near the gas supply inlet. Cover the Natural Gas label that is factory fitted.

Figure 11



Electrical connection (220-240 Volts)

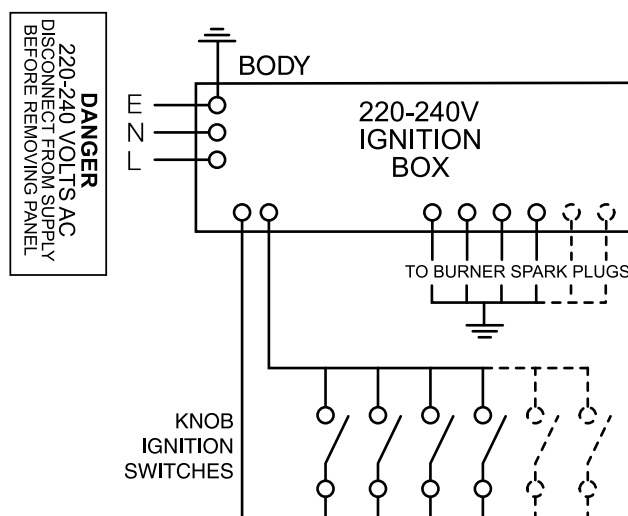
The appliance is supplied with a standard 7.5 Amp service cord terminated by a 3-pin plug for connection to a standard household socket. The electrical supply is required to power the electronic ignition system.

NOTE! It will be necessary for servicing purposes to disconnect the electrical power supply. The power point should therefore be accessible after the appliance is installed, as specified in the local wiring regulations.

Diagram 1 is a schematic of the wiring in the appliance.

WEIGHT of the unit is printed on the appliance packaging label.

Diagram 1



Use of hose assemblies

Ensure that the hose assembly is restrained from accidental contact with the flue outlet of an underbench oven or any other hot surface of an adjacent appliance.

Testing appliance operation

After installation, test the appliance and ensure that it operates correctly before handing it over to the customer. The following procedure is recommended:

1. Turn on the gas and electricity supply and attempt ignition on all burners, both separately and in combination. (For correct procedure refer to page 2 Lighting Burners). Note that additional time needs to be allowed for the initial lighting as air has to be purged from the pipes.
2. Observe the flame appearance on each burner (Figure 12). If it is much larger or much smaller than expected, the injector size and supply pressure require checking. Where a flame is unsatisfactory, refer to the Troubleshooting Guide (page 5) to correct the fault. If the Troubleshooting Guide does not solve the problem, call the Service Centre.
3. When all the foregoing is satisfactory, check the turndown (minimum or low) setting on each burner, as this may need adjustment. Valves have a bypass controlling screw, which may be accessed by removing the knob. This screw will be located on a particular area of the valve (refer Figure 13). Normally, this will have been correctly set at the factory for use on Natural Gas (NG) and should not require adjustment.

tips and information

If the appliance has been converted to LPG, then the bypass screw will **HAVE** to be screwed in until a small, stable flame results.

Please ensure the supply pressure has been checked PRIOR to any adjustment.

4. If the appliance cannot be adjusted to perform safely inform the customer of the problem and affix an appropriate warning notice to the appliance. If the fault appears to be dangerous the appliance should be disconnected. If a minor fault exists, the customer may wish to use the appliance while awaiting service. If a fault cannot be fixed, please call the Service Centre.
5. The customer should be advised that, in the event of a fault, the local service organisation or the retailer from whom the appliance was purchased should be contacted.
6. When satisfied that the unit is operating correctly, turn off and instruct the customer on correct operation as outlined in this booklet. Ask the customer to operate the controls to ensure that the correct procedure is understood.

caution

Servicing must only be carried out by an authorised service person.

Injector sizes required for various gas types are shown in Table 3 (page 10). The appliance test point pressure for each gas type is also shown.

For model identification after installation, an additional data plate sticker has been provided. This sticker is to be stuck onto adjacent cabinetry.

Figure 12

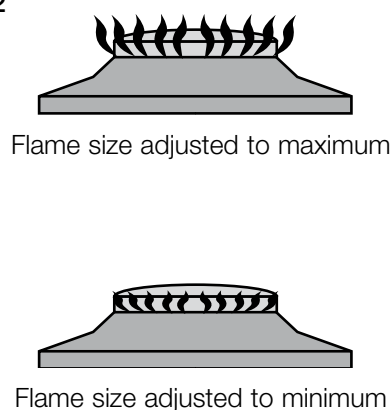
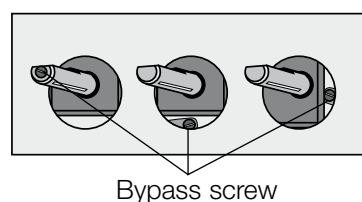


Figure 13



Electrolux Warranty

FOR SALES IN AUSTRALIA AND NEW ZEALAND
APPLIANCE: ELECTROLUX 4 & 5 BURNER GAS COOKTOPS

This document sets out the terms and conditions of product warranties for Electrolux branded appliances. It is an important document. Please keep it with your proof of purchase documents in a safe place for future reference should you require service for your Electrolux appliance.

General Terms and Conditions

1. In this warranty
 - (a) 'Electrolux' means Electrolux Home Products Pty Ltd ABN 51 004 762 341 in respect of Appliances purchased in Australia and Electrolux (NZ) Limited in respect of Appliances purchased in New Zealand;
 - (b) 'Appliance' means any Electrolux product purchased by you accompanied by this document;
 - (c) 'Warranty Period' means
 - (i) where you use the Appliance for personal, domestic or household purposes in Australia the period of '24' months and in New Zealand the period of '24' months;
 - (ii) where you use the Appliance for commercial purposes, in Australia the period of '3' months and in New Zealand the period of '3' months, (if the period stated is 0 months you are not covered by this product warranty) following the date of original purchase of the Appliance;
 - (d) 'you' means the purchaser of the Appliance not having purchased the appliance for re-sale, and 'your' has a corresponding meaning.
2. This warranty only applies to Appliances purchased and used in Australia or New Zealand and is in addition to (and does not exclude, restrict, or modify in any way) any non-excludable statutory warranties in Australia or New Zealand.
3. Electrolux warrants that, when dispatched from an Electrolux warehouse, the Appliance is free from defects in materials and workmanship for the Warranty Period.
4. During the Warranty Period Electrolux or its Authorised Service Centre will, at no extra charge if your appliance is readily accessible without special equipment, and subject to these terms and conditions, repair or replace any parts which it considers to be defective. Electrolux or its ASC may use reconditioned parts to repair your appliance. You agree that any replaced Appliances or parts become the property of Electrolux. This warranty does not apply to light globes, batteries, filters or similar perishable parts.
5. Parts and Appliances not supplied by Electrolux are not covered by this warranty.
6. Where you are within an Electrolux service area, this warranty covers the cost of transport of the Appliance to and from Authorised Service Centres of Electrolux and travelling costs for representatives of the Authorised Service Centre to and from your home or business. If you are outside an Electrolux service area, you will bear these costs. For information about whether you are within an Electrolux service area, please phone 13 13 49 in Australia, or 0800 10 66 10 in New Zealand.
7. Proof of purchase is required before you can make a claim under this warranty.
8. You may not make a claim under this warranty unless the defect claimed is due to faulty or defective parts or workmanship. Electrolux is not liable in the following situations (which are not exhaustive):
 - (a) The Appliance is damaged by:
 - (i) accident

- (ii) misuse or abuse, including failure to properly maintain or service
 - (iii) normal wear and tear
 - (iv) power surges, electrical storm damage or incorrect power supply
 - (v) incomplete or improper installation
 - (vi) incorrect, improper or inappropriate operation
 - (vii) insect or vermin infestation.
- (b) The Appliance is modified without authority from Electrolux in writing.
 - (c) The Appliance's serial number or warranty seal has been removed or defaced.
 - (d) The Appliance was serviced or repaired by anyone other than Electrolux or its Authorised Service Centres.
9. This warranty, the contract to which it relates and the relationship between you and Electrolux are governed by the law applicable in the Australian State where the Appliance was purchased or the law applicable in New Zealand if the Appliance was purchased in New Zealand. Where the Appliance was purchased in New Zealand for business purposes the Consumer Guarantee Act does not apply.

Limitation of Liability

10. To the extent permitted by law:
- (a) Electrolux excludes all warranties other than as contained in this document;
 - (b) Electrolux shall not be liable for any loss or damage whether direct or indirect or consequential arising from your purchase, use or non-use of the Appliance.
11. Provisions of the Trade Practices Act and State consumer legislation in Australia, and the Consumer Guarantees Act, the Sale of Goods Act and the Fair Trading Act in New Zealand, imply warranties or conditions, or impose obligations, upon Electrolux which cannot be excluded, restricted or modified. To the extent permitted by law, the liability of Electrolux (if any) arising out of or in relation to the Appliance or any services supplied by Electrolux shall be limited (where it is fair and reasonable to do so):
- (a) in the case of Appliances, at its option, to the replacement or repair of the Appliances or the supply of equivalent products or the payment of the cost of replacing the Appliances or having the Appliances repaired or of acquiring equivalent Appliances. Upon being replaced, parts and Appliances become the property of Electrolux; or
 - (b) in the case of services, at its option, to the supply of the services again or the payment of the cost of having the services re-supplied; and in the case of Appliances or services supplied in New Zealand, loss or damage whether direct or indirect or consequential that is reasonably foreseeable.

Privacy

You acknowledge that in the event that you make a warranty claim it will be necessary for Electrolux and its Authorised Service Centres to exchange information in relation to you to enable Electrolux to meet its obligations under this warranty.

Important Notice

Before Calling a Service Technician please check carefully the operating instructions, service booklet and the warranty terms and conditions.

<p>FOR SERVICE or to find the address of your nearest state service centre in Australia PLEASE CALL 13 13 49 For the cost of a local call (Australia only)</p>	<p>SERVICE AUSTRALIA  ELECTROLUX HOME PRODUCTS www.electrolux.com.au</p>	<p>FOR SPARE PARTS or to find the address of your nearest state spare parts centre in Australia PLEASE CALL 13 13 50 For the cost of a local call (Australia only)</p>
<p>FOR SERVICE or to find the address of your nearest authorised service centre in New Zealand FREE CALL 0800 10 66 10 (New Zealand only)</p>	<p>SERVICE NEW ZEALAND  ELECTROLUX HOME PRODUCTS www.electrolux.co.nz</p>	<p>FOR SPARE PARTS or to find the address of your nearest state spare parts centre in New Zealand FREE CALL 0800 10 66 20 (New Zealand only)</p>



Electrolux Home Products Australia

telephone: 1300 363 640

fax: 1800 350 067

email: customercare@electrolux.com.au

web: www.electrolux.com.au

The Thoughtful Design Innovator.

Do you remember the last time you opened a gift that made you say "Oh! How did you know? That's exactly what I wanted!" That's the kind of feeling that the designers at Electrolux seek to evoke in everyone who chooses or uses one of our products. We devote time, knowledge, and a great deal of thought to anticipating and creating the kind of appliances that our customers really need and want.

This kind of thoughtful care means innovating with insight. Not design for design's sake, but design for the user's sake. For us, thoughtful design means making appliances easier to use and tasks more enjoyable to perform, freeing our customers to experience the ultimate 21st century luxury: ease of mind. Our aim is to make this ease of mind more available to more people in more parts of their everyday lives, all over the world.

The "Thinking of you" promise from Electrolux goes beyond meeting the needs of today's consumers. It also means we're committed to making appliances safe for the environment – now and for future generations.

Electrolux. Thinking of you.

Share more of our thinking at www.electrolux.com.au