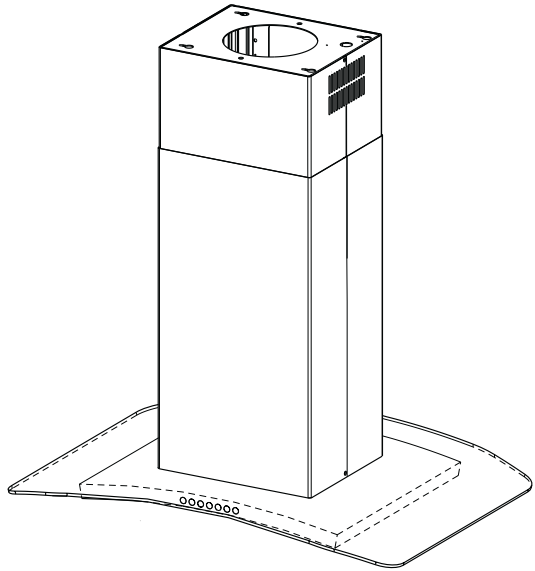


 **Electrolux**

EFC 9543



Instructions Manual

Instructions Manual

INDEX

RECOMMENDATIONS AND SUGGESTIONS	3
CHARACTERISTICS	4
INSTALLATION	6
USE	9
MAINTENANCE	11

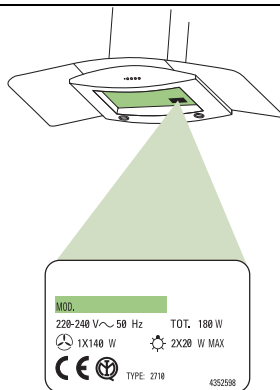
RECOMMENDATIONS AND SUGGESTIONS

INSTALLATION

- The manufacturer will not be held liable for any damages resulting from incorrect or improper installation.
- The minimum safety distance between the cooker top and the extractor hood is 650 mm.
- Check that the mains voltage corresponds to that indicated on the rating plate fixed to the inside of the hood.
- For Class I appliances, check that the domestic power supply guarantees adequate earthing.

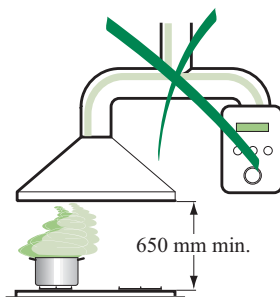
Connect the extractor to the exhaust flue through a pipe of minimum diameter 120 mm. The route of the flue must be as short as possible.

- Do not connect the extractor hood to exhaust ducts carrying combustion fumes (boilers, fireplaces, etc.).
- If the extractor is used in conjunction with non-electrical appliances (e.g. gas burning appliances), a sufficient degree of aeration must be guaranteed in the room in order to prevent the backflow of exhaust gas. The kitchen must have an opening communicating directly with the open air in order to guarantee the entry of clean air.



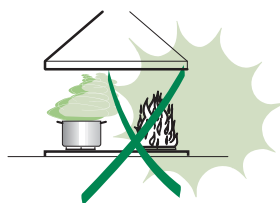
USE

- The extractor hood has been designed exclusively for domestic use to eliminate kitchen smells.
- Never use the hood for purposes other than for which it has been designed.
- Never leave high naked flames under the hood when it is in operation.
- Adjust the flame intensity to direct it onto the bottom of the pan only, making sure that it does not engulf the sides.
- Deep fat fryers must be continuously monitored during use: overheated oil can burst into flames.
- The hood should not be used by children or persons not instructed in its correct use.
- The appliance is not intended for use by young children or infirm persons without supervision.
- Young children should be supervised to ensure that they do not play with the appliance.



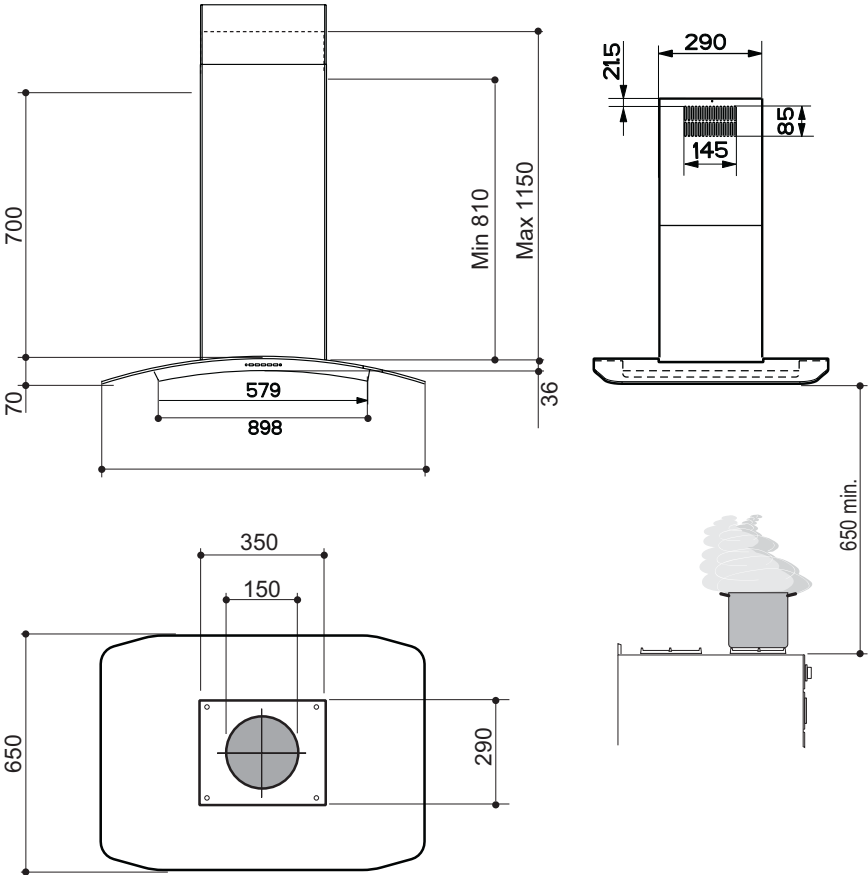
MAINTENANCE

- Switch off or unplug the appliance from the mains supply before carrying out any maintenance work.
- Clean and/or replace the Filters after the specified time period.
- Clean the hood using a damp cloth and a neutral liquid detergent.



CHARACTERISTICS

Dimensions

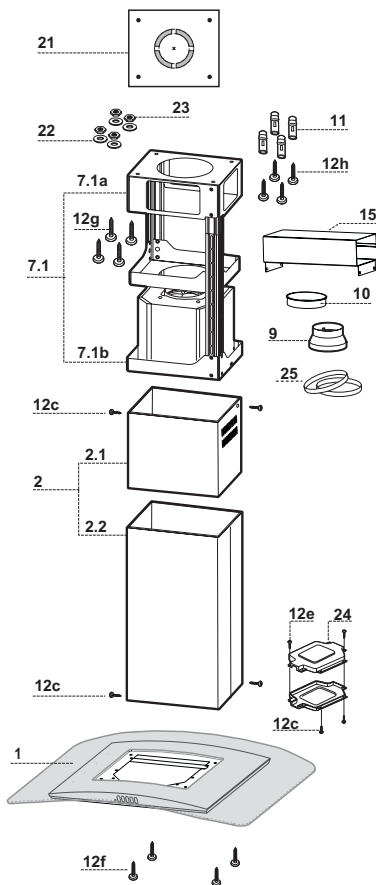


Components

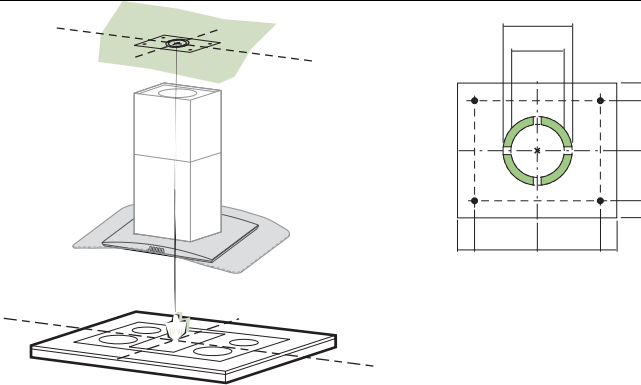
Ref.	Q.ty	Product Components
1	1	Hood Body, complete with: Controls, Light, Blower, Filters
2	1	Telescopic Chimney comprising:
2.1	1	Upper Section
2.2	1	Lower Section
7.1	1	Telescopic frame complete with extractor, consisting of:
7.1a	1	Upper frame
7.1b	1	Lower frame
9	1	Reducer Flange \varnothing 150-120 mm
10	1	Flange \varnothing 150
15	1	Air Outlet Connection
24	1	Junction box
25	2	Pipe clamps

Ref.	Q.ty	Installation Components
11	4	Wall Plugs \varnothing 10
12c	6	Screws 2,9 x 6,5
12e	2	Screws 2,9 x 9,5
12f	4	Screws M6 x 10
12g	4	Screws M6 x 80
12h	4	Screws 5,2 x 70
21	1	Drilling template
22	4	6.4 mm int. dia washers
23	4	M6 nuts

Q.ty	Documentation
1	Instruction Manual



INSTALLATION



Drilling the Ceiling/shelf and fixing the frame

DRILLING THE CEILING/SHELF

- Use a plumb line to mark the centre of the hob on the ceiling/support shelf.
- Place the drilling template **21** provided on the ceiling/support shelf, making sure that the template is in the correct position by lining up the axes of the template with those of the hob.
- Mark the centres of the holes in the template.
- Drill the holes at the points marked:
 - For concrete ceilings, drill for plugs appropriate to the screw size.
 - For hollow brick ceilings with wall thickness of 20 mm: drill \varnothing 10 mm(immediately insert the Dowels **11** supplied).
 - For wooden beam ceilings, drill according to the wood screws used.
 - For wooden shelf, drill \varnothing 7 mm.
 - For the power supply cable feed, drill \varnothing 10 mm.
 - For the air outlet (Ducted Version), drill according to the diameter of the external air exhaust duct connection.
- Insert two screws of the following type, crossing them and leaving 4-5 mm from the ceiling:
 - For concrete ceilings, use the appropriate plugs for the screw size (not provided).
 - for Cavity ceiling with inner space, with wall thickness of approx. 20 mm, Screws **12h**, supplied.
 - For wooden beam ceilings, use 4 wood screws (not provided).
 - For wooden shelf, use 4 screws **12g** with washers **22** and nuts **23**, provided.

FIXING THE frame

- Loosen the two screws fastening the lower chimney and remove this from the lower frame.
- Loosen the two screws fastening the upper chimney and remove this from the upper frame.

If you wish to adjust the height of the frame, proceed as follows:

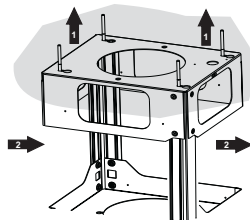
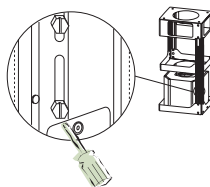
- Unfasten the eight metric screws joining the two columns, located at the sides of the frame.
- Adjust the frame to the height required, then replace all the screws removed as above.
- Insert the upper chimney stack from above, and leave it running free on the frame.
- Lift up the frame, fit the frame slots onto the screws up to the slot end positions.
- Tighten the two screws and fasten the other two screws provided with the hood.

Before tightening the screws completely it is possible to adjust the frame by turning it. Make sure that the screws do not come out of their seats in the slotted holes.

- The frame mountings must be secure to withstand the weight of the hood and any stresses caused by the occasional side thrust applied to the device.

On completion, check that the base is stable, even if the frame is subjected to bending.

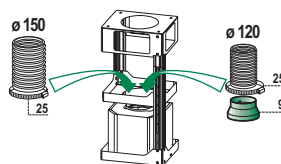
- In all cases where the ceiling is not strong enough at the suspension point, the installer must provide strengthening using suitable plates and backing pieces anchored to the structurally sound parts.



Ducted version air exhaust system Connection

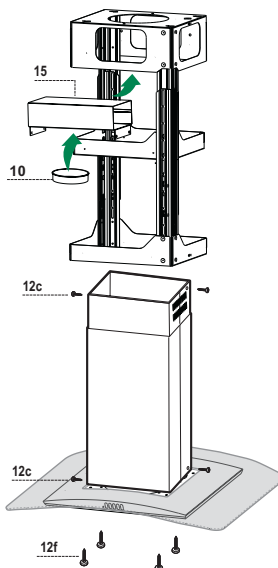
When installing the ducted version, connect the hood to the chimney using either a flexible or rigid pipe \varnothing 150 or 120 mm, the choice of which is left to the installer.

- To install a \varnothing 120 mm air exhaust connection, insert the reducer flange **9** on the hood body outlet.
- Fix the pipe using the pipe clamps **25** provided.
- Remove any activated charcoal filters.



Recirculation version air outlet

- Fix the connection **15** to the frame using the 4 screws provided.
- Fix the flange **10** to the lower opening of the connection **15**.
- Connect the hood air outlet to the flange in the lower part of the junction using a rigid or flexible \varnothing 150 tube (by installer's choice).



Flue assembly - Mounting the hood body

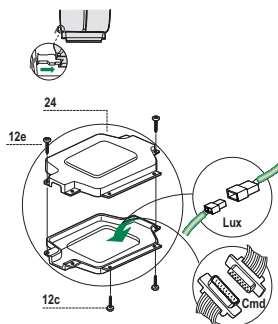
- Position the upper chimney section and fix the upper part to the frame using the 2 screws **12c** (2,9 x 6,5) provided.
- Similarly, position the lower chimney section and fix the lower part to the frame using the 2 screws **12c** (2,9 x 6,5) provided.

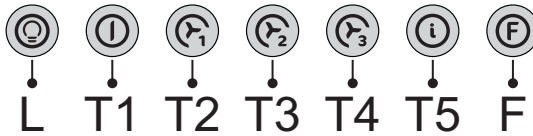
Before fixing the hood body to the frame:

- Remove the grease filters from the hood body.
- Remove any activated charcoal filters.
- From below, use the 4 screws **12f** (M6 x 10) provided to fix the hood body to the frame.

ELECTRICAL CONNECTION

- Connect the hood to the mains through a two-pole switch having a contact gap of at least 3 mm.
- Remove the grease filters (see paragraph Maintenance) being sure that the connector of the feeding cable is correctly inserted in the socket placed on the side of the fan.
- Connect the control connector **Cmd**.
- Connect the lights connector **Lux**.
- Place the connectors in the junction box **24** and close it using the 2 screws **12e** (2,9 x 9,5) provided.
- Fix the junction box to the hood body using the 2 screws **12c** (2,9 x 6,5) provided.
- For the recirculation version, fit the activated carbon odour filter.
- Replace the grease filters.





The hood can be switched on pushing directly onto the requested speed without firstly having to select 0/1 button .

Touch control	Basic functions	Indicator lights	
	Dual Function		
L	When briefly pressed it switches the lighting system on and off.	Touch control unlit	Lights off
	When pressed for 2 seconds it starts the lighting system in "courtesy light" mode. The lamps are fed at a reduced power of approximately 5W. Such function can be stopped by pressing the touch control for 2 seconds or just by pressing it shortly in order to return to the normal lighting mode. In courtesy light mode the touch control is not lit.	Touch control lit	Lights on
		Touch control unlit	Courtesy light on
T1	When pressed the motor is stopped, regardless of the speed it is set to.	Touch control lit	Motor on
		Touch control unlit	Motor off
T2	When pressed the motor is set to the first speed	Touch control lit	
T3	By a brief pressing the motor is set to the second speed.	Touch control lit	Second speed on
	By pressing the touch control for approximately 2 seconds the Delay function is enabled, i.e delayed shutdown of the appliance ensuring a complete elimination of the residual odours. This function can be activated at OFF-position and at 1°, 2° and 3° speeds. It can be stopped in advance by pressing any of the touch controls (T) with the exception of T3. The Delay function works according to the following scheme: 1° speed / OFF = 20 minutes 2° speed = 15 minutes 3° speed = 5 minutes	Flashing touch control	Delay function on
T4	When pressed the motor is set to the third speed	Touch control lit	

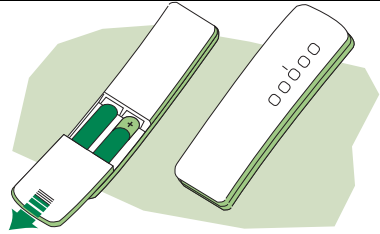
Touch control	Basic functions	Indicator lights	
T5	When pressed the motor is set to the intensive speed timed to 5 minutes. At the end of 5 minutes of intensive speed the hood starts again at the speed it was set to previously. In case the hood is set to the intensive speed directly from OFF-state it will then start from the first speed after 5 minutes of intensive speed.	Touch control lit	
F	When pressed for 4 seconds it resets the filter alarm signal indicated by flashing of the touch control T1 . This procedure can be carried out only when the motor is stopped.	Touch control lit	Metal grease filters saturation alarm. Metal grease filters need to be washed. The alarm starts up after 100 working hours.
		Flashing touch control	Charcoal odour filter saturation alarm. Charcoal filter has to be replaced and metal grease filters washed. The alarm starts up after 200 working hours. (Activation; check the paragraph "Odour filter")

MAINTENANCE

REMOTE CONTROL (OPTIONAL)

The appliance can be controlled using a remote control powered by a 1.5 V carbon-zinc alkaline batteries of the standard LR03-AAA type.

- Do not place the remote control near to heat sources.
- Used batteries must be disposed of in the proper manner.



Grease filters

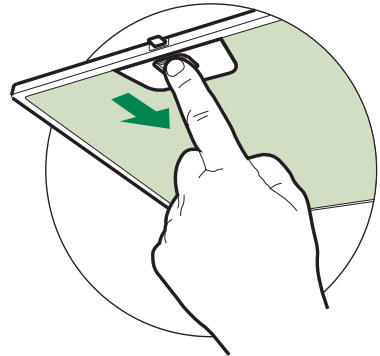
CLEANING OF THE METAL CASSETTE FILTERS

Alarm reset

- Stop the motor.
- Press the **F** -touch control for at least 4 seconds until the **T1** -touch control flashes.

Cleaning the filters

- Filters can be washed in the dish machine. They need to be washed every 2 months or even more frequently in case of particularly intensive use of the hood.
- Remove the filters one by one pushing them towards the back side of the unit and simultaneously pulling downwards.
- Any kind of bending of the filters has to be avoided when washing them. Before fitting them again into the hood make sure that they are completely dry.
- When fitting the filters into the hood pay attention that they are mounted in correct position and that the handle faces outwards.



Odour filter (Recirculation Version)

This filter cannot be washed or regenerated, and must be replaced when the **F** touch control starts to flash, or at least once every 4 months. The alarm is only triggered when the motor is on.

Enabling/Disabling the alarm signal

- In Recirculation Version Hoods, the Filter saturation Alarm must be enabled at the time of installation or later.
- Switch off the lights and the motor.
- Disconnect the mains power supply to the hood by removing the motor unit power supply cable connector, switching off the power supply at the Mains or turning the Main switch off.
- Restore the connection, pressing and holding **T2**.
- Release the touch control, touch controls **L**, **T2** and **F** will light up normally.
- **Within 3 seconds** press the touch control **F** until the key itself flashes to confirm as follows:
 - 2 flashes – Charcoal odour Filter saturation Alarm ENABLED
 - 1 flash - Charcoal odour Filter saturation Alarm DISABLED

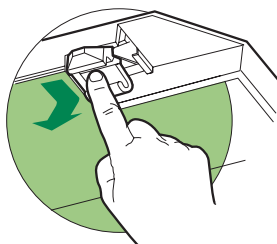
REPLACING THE CHARCOAL ODOUR FILTER

Reset the alarm signal

- Stop the motor.
- Press the touch control **F** for at least 4 seconds, until the touch control **T1** flashes.

Replace the Filter

- Remove the metal grease filters.
- Remove the saturated charcoal filter, turning the fasteners provided.
- Fit the new filter and fasten it its correct position.
- Put the metal grease filters in their seats.

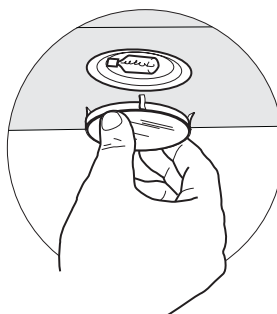


Lighting

LIGHT REPLACEMENT

20 W halogen light.

- Remove the snap-on lamp cover by levering it from under the metal ring, supporting it with one hand.
- Remove the halogen lamp from the lamp holder by pulling gently.
- Replace the lamp with a new one of the same type, making sure that you insert the two pins properly into the housings on the lamp holder.
- Replace the snap-on lamp cover.





Dir. 89/336/CEE
73/23/CEE
93/68/CEE