



user manual

Dishwasher

EX601SC

# Electrolux. Thinking of you.

Share more of our thinking at [www.electrolux.com](http://www.electrolux.com)

## Contents

|                                      |    |                           |    |
|--------------------------------------|----|---------------------------|----|
| Safety information                   | 2  | Unloading the dishwasher  | 14 |
| Product description                  | 4  | Washing programmes        | 15 |
| Control panel                        | 5  | Care and cleaning         | 16 |
| First use                            | 7  | What to do if...          | 17 |
| Use of rinse aid                     | 7  | Technical data            | 19 |
| Daily use                            | 8  | Hints for test institutes | 19 |
| Load cutlery and dishes              | 9  | Installation              | 20 |
| Use of detergent                     | 11 | Water connection          | 22 |
| Tablet function                      | 12 | Electrical connection     | 23 |
| Select and start a washing programme | 13 | Environment concerns      | 24 |
|                                      |    | Warranty                  | 25 |



Subject to change without notice



## Safety information



In the interest of your safety and to ensure the correct use, before installing and first using the appliance, read this user manual carefully, including its hints and warnings. To avoid unnecessary mistakes and accidents, it is important to ensure that all people using the appliance are thoroughly familiar with its operation and safety features. Save these instructions and make sure that they remain with the appliance if it is moved or sold, so that everyone using it through its life will be properly informed on appliance use and safety.

### Correct use

- This dishwasher is only intended for washing household utensils suitable for machine washing.
- Do not put any solvents in the dishwasher. This could cause an explosion.
- Knives and other items with sharp points must be loaded in the cutlery basket with their points down or placed in a horizontal position in the upper basket.
- Only use products (detergent, cleaners, rinse aid etc.) suitable for dishwashers.
- Hot steam may escape. Avoid opening the door whilst the appliance is in operation.

- Do not take any dishes out of the dishwasher before the end of the washing cycle.
- If the supply cord is damaged, it must be replaced by the manufacturer or its service agent or a similarly qualified person in order to avoid a hazard.
- This product must be serviced only by an authorized service engineer, and only genuine spare parts must be used.

### General safety

- Dishwasher detergents are very alkaline and extremely dangerous if swallowed. Be careful to: keep them away from your eyes and skin, keep children from the dishwasher when the door is opened and only put detergent in the dispenser when you are ready to wash.
- Make sure that the detergent receptacle in the dispenser is empty after the completion of a wash cycle.
- Water in the dishwasher is not for drinking purposes. Detergent residue may still be present in your machine.
- Ensure that the door of the dishwasher is always closed when it is not being loaded or unloaded. In this way you will avoid anybody tripping over the open door and hurting themselves.
- Do not sit or stand on the open door.

### Child safety

- This appliance is not intended for use by young children or infirm persons unless they have been adequately supervised by a responsible person to ensure that they can use the appliance safely.
- Young children must be supervised to ensure that they do not play with the appliance.
- Keep all packaging well away from children. There is a risk of suffocation.
- Keep all detergents in a safe place out of children's reach.
- Keep children well away from the dishwasher when the door is open.

### Installation

- Check your dishwasher for any transport damage. Never connect a damaged machine. If your dishwasher is damaged contact your supplier.
- All packaging must be removed before use.

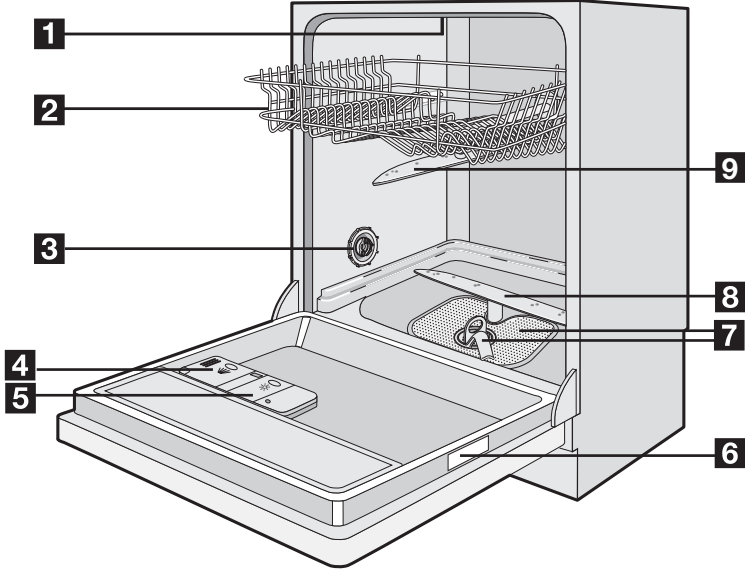
- Any electrical and plumbing work required to install this appliance must be carried out by a qualified and competent person.
- For safety reasons it is dangerous to alter the specifications or attempt to modify this product in any way.
- Never use the dishwasher if the electrical supply cable and water hoses are damaged; or if the control panel, work top or plinth area are damaged such that the inside of the appliance is freely accessible. Contact your local Customer Care Centre, in order to avoid hazard.
- All sides of the dishwasher must never be drilled to prevent damage to hydraulic and electric components.



**Warning!** FOR ELECTRICAL AND WATER CONNECTIONS CAREFULLY FOLLOW THE INSTRUCTIONS GIVEN IN THE SPECIFIC PARAGRAPHS.

## Product description

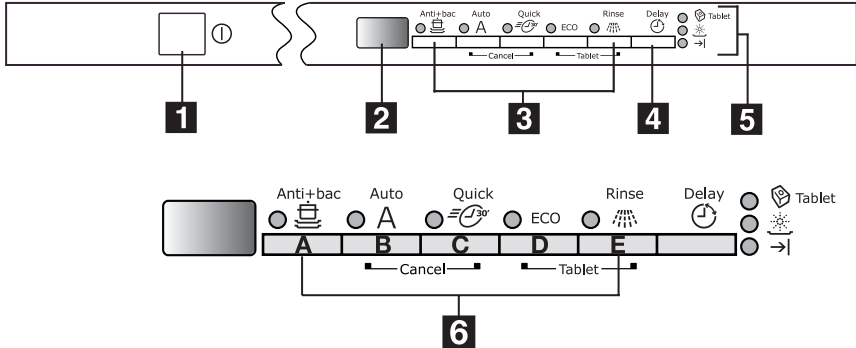
---






- 1** Top shower
- 2** Upper basket
- 3** Air vent and water hardness dial (the dial is only functional for dishwashers with a water softener)
- 4** Detergent dispenser

- 5** Rinse aid dispenser
- 6** Rating plate
- 7** Filters
- 8** Lower spray arm
- 9** Upper spray arm

## Control panel



1. On/Off button
2. Digital display
3. Programme selection buttons
4. Delay start button
5. Indicator lights
6. Function buttons

| Indicator lights   |  |
|--|--|
|  Tablet function | Indicates the activation/deactivation of the 'Tablet function' (refer to 'Tablet function'). |
|  Rinse aid<br>1) | Comes on when the rinse aid has run out.   |
|  End            | Comes on when a washing programme has ended.   |

1) The rinse aid indicator light never comes on while a washing programme is running even if filling with rinse aid is necessary.

### The digital display

The digital display indicates:

- the approximate remaining time of the running programme,
- activation/deactivation of the rinse aid dispenser (**ONLY** with the 'Tablet function' active),
- the end of a washing programme (the digital display shows a zero),
- the countdown for the delay start,
- fault codes concerning malfunction of the dishwasher,
- if the audible signals are activated/deactivated.

### Function buttons

The following functions can be set using these buttons:

- cancelling a washing programme or a delay start in progress,
- activation/deactivation of the 'Tablet function',
- activation/deactivation of the rinse aid dispenser when the 'Tablet function' is active,
- activation/deactivation of the audible signals.

### Setting mode

Press the On/Off button; if **ALL** programme button lights are on, the appliance is in setting mode.

- i** Always remember that when performing the following operations:
- selecting a washing programme,
  - activating/deactivating the rinse aid,
  - activating/deactivating the audible signals,
- the appliance **MUST** be in setting mode.

Press the On/Off button; if a programme button light is on, the last performed or selected programme is still set. In this case, to return to setting mode, the programme has to be cancelled.

### To cancel a set programme or a programme in progress

Simultaneously press and hold the two function buttons **B** and **C** until all the programme button lights come on. The programme has been cancelled and the machine is now in setting mode.

### Audible signals

Audible signals have been introduced to help indicate which operations the dishwasher is performing:

- end of the washing programme,
- intervention of an alarm due to malfunction of the machine.

**i** Factory setting: audible signals activated  
It is possible to deactivate the audible signals.

### Deactivation/activation of the audible signals

1. Press the On/Off button. The dishwasher must be in setting mode.

2. Simultaneously press and hold function buttons **B** and **C** until the lights of function buttons **A**, **B** and **C** start flashing.
3. Press function button **C**, the lights of function buttons **A** and **B** go off while the light of function button **C** continues to flash. The digital display shows the current level.

|           |                             |
|-----------|-----------------------------|
| <i>0b</i> | Audible signals deactivated |
| <i>1b</i> | Audible signals activated   |

4. To change the setting, press function button **C** again; the digital display shows the new setting.
5. To memorize the operation, switch off the dishwasher.

## First use

Before using your dishwasher for the first time:

- Ensure that the electrical and water connections comply with the installation instructions.
- Remove all packaging from inside the appliance.

- Fill the rinse aid dispenser.

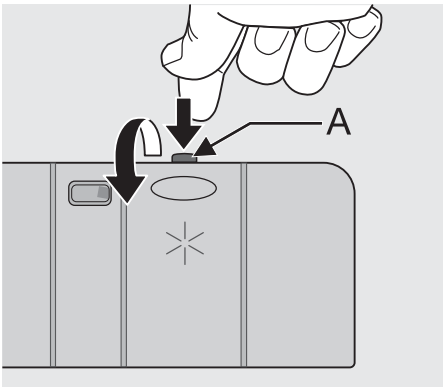
**i** If you want to use the multi benefit tablets set the 'Tablet' function. (Refer to 'Tablet function').

## Use of rinse aid

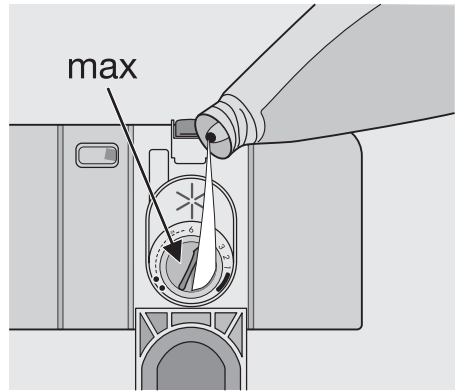
**!** **Warning!** Only use branded rinse aid for dishwashers. Never fill the rinse aid dispenser with any other substances (e.g. dishwasher cleaning agent, liquid detergent). This would damage the appliance.

**i** Rinse aid ensures thorough rinsing, and spot and streak free drying. Rinse aid is automatically added during the last rinse.

1. Open the container by pressing the release button (A).



2. Add the rinse aid in the container. The maximum level for filling is indicated by "max".



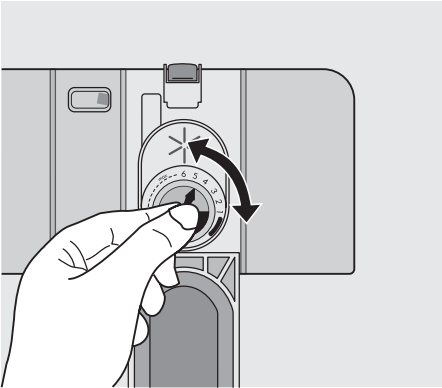
The dispenser holds about 110 ml of rinse aid, which is sufficient for between 16 and 40 washing cycles, depending upon the dosage setting.

3. Ensure that the lid is closed after every refill.

**i** Clean up any rinse aid spilt during filling with an absorbent cloth to avoid excess foaming during the next wash.

According to the finish and drying results obtained, adjust the dose of rinse aid by means of the 6 position selector (position 1 minimum dosage, position 6 maximum dosage).

The dose is factory set in position 4. Increase the dose if there are drops of water or lime spots on the dishes after washing. Reduce it if there are sticky whitish streaks on the dishes or a bluish film on glassware or knife blades.



## Daily use

- Check if it's necessary to refill with rinse aid.
- Load cutlery and dishes into the dishwasher.
- Add required amount of detergent just prior to wash.
- Select a wash programme suitable for the cutlery and dishes.
- Start the wash programme.

### Helpful hints and tips

Sponges, household cloths and any object that can absorb water may not be washed in the dishwasher.

- Before loading the dishes, you should:
  - Remove all left over food and debris.
  - Soften remnants of burnt food in pans
- When loading the dishes and cutlery, please note:

- Dishes and cutlery must not impede the rotation of the spray arms.
- Load hollow items such as cups, glasses, pans, etc. with the opening downwards so that water cannot collect in the container or a deep base.
- Dishes and items of cutlery must not lie inside one another, or cover each other.
- To avoid damage to glasses, they must not touch.
- Lay small objects in the cutlery basket.
- Plastic items and pans with non stick coatings have a tendency to retain water drops; these items will not dry as well as porcelain and steel items.
- Light items (plastic bowls etc.) must be loaded in the upper basket and arranged so they do not move.

### For washing in the dishwasher the following cutlery and dishes are not suitable:

- Cutlery with wooden, horn, china or mother-of-pearls handles.
- Plastic items that are not heat resistant.
- Older cutlery with glued parts that are not temperature resistant.
- Bonded cutlery items or dishes.
- Pewter or copper items.
- Lead crystal glass.
- Steel items prone to rusting.
- Wooden platters.
- Items made from synthetics fibres.

### are of limited suitability:

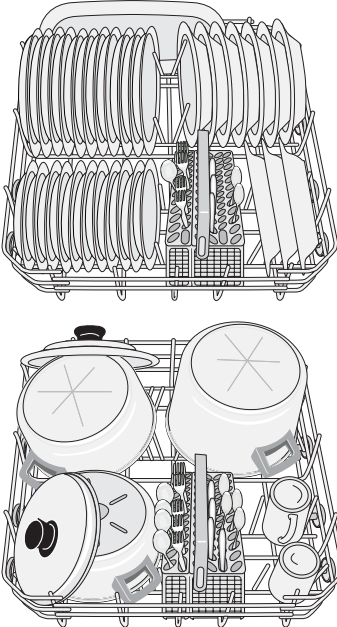
- Only wash stoneware in the dishwasher if it is specially marked as being dishwasher-safe by the manufacturer.
- Glazed patterns may fade if machine washed frequently.
- Silver and aluminium parts have a tendency to discolour during washing: Residues, e.g. egg white, egg yolk and mustard often cause discolouring and staining on silver. Therefore always clean left-overs from silver immediately, if it is not to be washed straight after use.



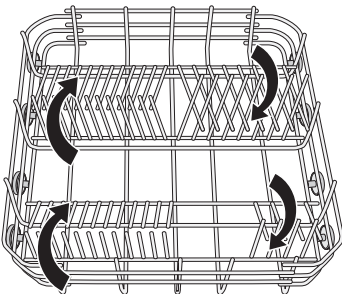
## Load cutlery and dishes

### The lower basket


The lower basket is designed to take saucepan, lids, plates, salad bowls, cutlery etc. Service dishes and large lids should be arranged around the edge of the basket, ensuring that the spray arms can turn freely.



The rows of prongs in the lower basket can lie flat to allow you to load pots, pans and bowls.

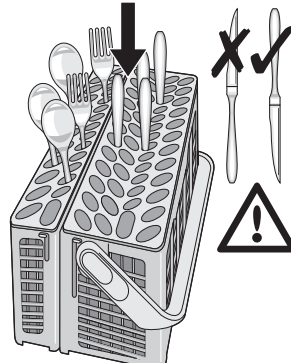


### The cutlery basket

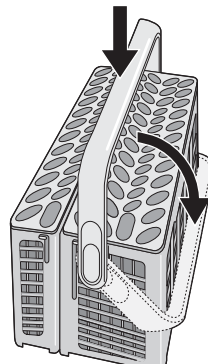
 Long bladed knives stored in an upright position are a potential hazard. Long and/or sharp items of cutlery such as carving knives must be positioned

horizontally in the upper basket. Take care when loading or unloading sharp items such as knives.

Forks and spoons should be placed in the removable cutlery basket with the handles facing downwards and the knives with their handles facing upwards.

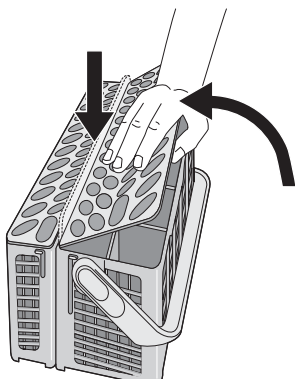


If the handles protrude from the bottom of the basket, obstructing the lower spray arm, load the cutlery with the handles facing upwards. Mix spoons with other cutlery to prevent them from sticking together. To make loading of the cutlery basket easier, lower the cutlery basket handle.

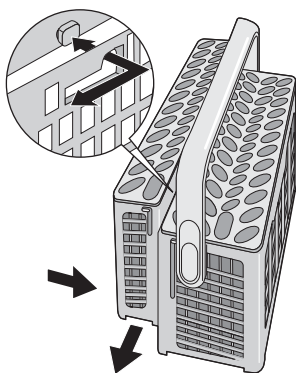


For best results we recommend that you use the cutlery grids.

If the size and dimensions of the cutlery do not allow the use of the grids, they can be easily hidden.



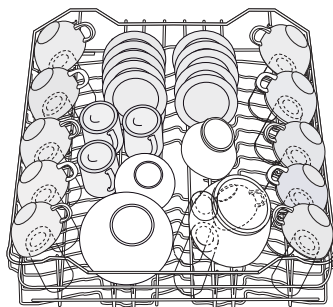
The cutlery basket is in two parts which can be separated to give greater loading flexibility. To separate the two parts, slide them horizontally in opposite directions and pull them apart.



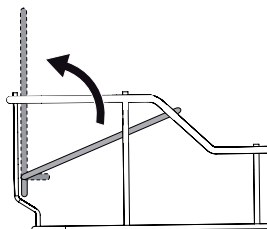
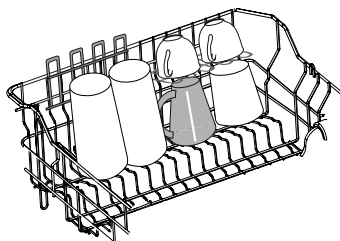
To reassemble, reverse the procedure.

### The upper basket

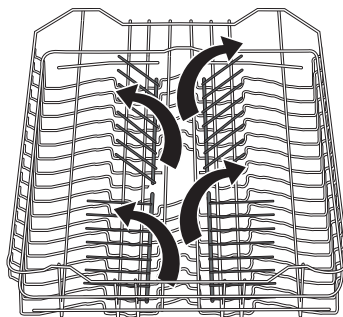
The upper basket is designed for saucers, salad bowls, cups, glasses, pots and lids. Arrange items on and underneath the cup racks so that water can reach all surfaces.



Glasses with long stems can be placed upside down in the cup racks. For taller items, the cup racks can be folded upwards.



The central rows of prongs can be easily lowered to improve loading flexibility.



**i** Before closing the door, ensure that the spray arms can rotate freely.

## Adjusting the height of the upper basket

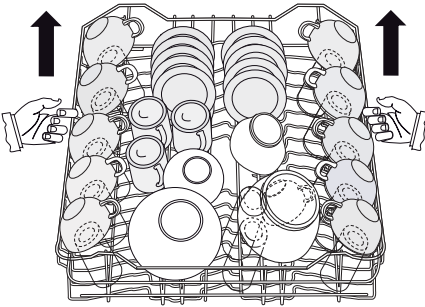
If washing very large plates you can load them in the lower basket after moving the upper basket to the higher position.

### Maximum height of the dishes in the lower basket

|                           |       |
|---------------------------|-------|
| With upper basket raised  | 31 cm |
| With upper basket lowered | 27 cm |

### To move to the higher position proceed as follows:

1. Pull out the basket until it stops.
2. Carefully lift both sides upwards until the mechanism is engaged and the basket is stable.



### To lower the basket to the original position proceed as follows:

1. Pull out the basket until it stops.
2. Carefully lift both sides upwards and then allow the mechanism to drop back down slowly, keeping hold of it.

**!** **Caution!** Never lift or lower the basket on one side only.

**i** When the basket is in the higher position:

- do not load cups on the cup racks,
- make sure that the cup racks are lied down and not folded upwards.

**!** **After loading your machine always close the door, as an open door can be a hazard.**

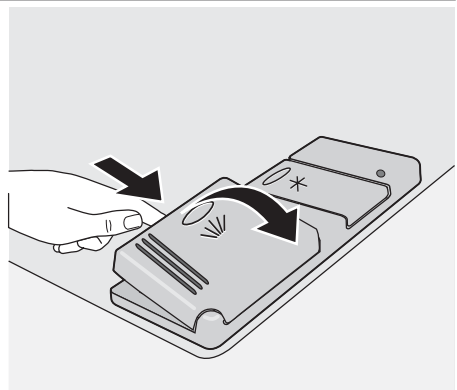
## Use of detergent

**i** Only use detergents specifically designed for use in dishwashers. Please observe the manufacturer's dosing and storage recommendations as stated on the detergent packaging.

**🌿** Using no more than the correct amount of detergent contributes to reducing pollution.

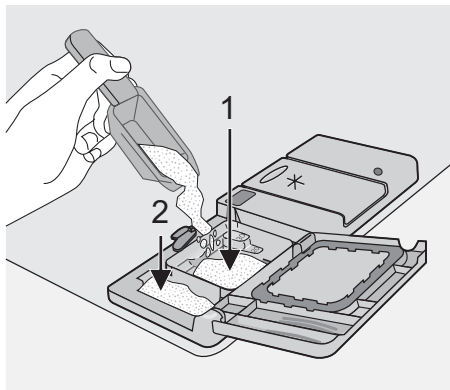
### Fill with detergent

1. Open the lid.

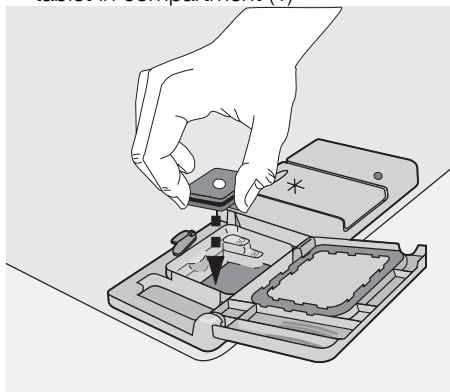


2. Fill the detergent dispenser (1) with detergent. The marking indicates the dosing levels:

20 = approximately 20 g of detergent  
30 = approximately 30 g of detergent.



3. All programmes with prewash need an additional detergent dose (5/10 g) that must be placed in the prewash detergent chamber (2). This detergent will be used during the prewash phase. When using detergent tablets; place the tablet in compartment (1)



4. Close the lid and press until it locks in place.

**i** Detergent tablets from different manufacturers dissolve at different rates. For this reason, some detergent tablets do not attain their full cleaning power during short washing programmes. Therefore, please use long washing programmes when using detergent tablets, to ensure the complete removal of detergent residuals.

## Tablet function

This appliance is equipped with the 'Tablet function' that allows the use of the detergent tablets.

These products are detergents with a combined cleaning and rinsing functions. They can also contain other different agents depending on which kind of tablets you choose. Once this function is selected it will remain active for all following wash programmes. With the selection of this function the inflow of rinse aid is automatically deactivated and

also the indicator light for rinse aid is deactivated.

When using the 'Tablet function', the cycle duration may change. If this is the case, the running time for the programme is automatically updated on the digital display.

- i** Activate/deactivate the 'Tablet function' before the start of a washing programme.

Once the programme is running, the set of the 'Tablet function' can **NO** longer be changed. You must cancel the set programme and then change the set of the 'Tablet function'.

Remember to set the washing programme again.

### Activation/deactivation of the Tablet function

Simultaneously press and hold the two Tablet buttons (function buttons **D** and **E**) until the Tablet indicator light comes on. This means that the function is active.

To deactivate the function press the same buttons again until the Tablet indicator light goes off.

- i** **If the drying results are not satisfactory we suggest that you:**

1. Fill up the rinse aid dispenser with rinse aid.
2. Activate the rinse aid dispenser.
3. Set the rinse aid dosage to position 2.
  - The activation/deactivation of the rinse aid is only possible with the 'Tablet function' active.

### Activation/deactivation of the rinse aid dispenser

1. Press the On/Off button. The dishwasher must be in setting mode.
2. Simultaneously press and hold function buttons **B** and **C**, until the lights of function buttons **A**, **B**, and **C** start flashing.
3. Press function button **B**, the lights of function buttons **A** and **C** go off while the light of function button **B** continues to flash. The digital display shows the current setting.



Rinse aid dispenser deactivated

Rinse aid dispenser activated

4. To change the setting, press button **B** again, the digital display shows the new setting.
5. To memorize the operation, switch off the dishwasher by pressing the On/Off button.

- i** **If you decide to revert back to the use of individual detergents we advise that you:**

1. Deactivate the 'Tablet function'.
2. Fill up the rinse aid dispenser again.
3. Adjust the rinse aid dosage.


## Select and start a washing programme

- i** **Select the washing programme and delay start with the door slightly opened. The start of the programme or the countdown of the delay start will occur only after the closure of the door. Until then it is possible to modify the settings**

1. Check that the baskets have been loaded correctly and that the spray arms are free to rotate.
2. Check that the water tap is opened.
3. Press the On/Off button. The dishwasher must be in setting mode.
4. Press the button corresponding to the required programme (refer to 'Washing programmes' chart).  
Close the dishwasher door, the programme starts automatically.

### Setting and starting the programme with delay start

1. After having selected the washing programme, press the delay start button until the flashing number of hours for the delay start shows in the digital display. The start of the selected washing programme can be delayed for between 1 and 19 hours.
2. Close the dishwasher door, the countdown starts automatically.
3. The countdown will decrease with steps of 1 hour.
4. The opening of the door will interrupt the countdown. Close the door; the countdown will continue from the point at which it was interrupted.
5. Once the delay start has elapsed the programme will start automatically.

 **Warning! Interrupt or cancel a washing programme in progress ONLY if it's absolutely necessary. Attention! Hot steam may escape when the door is opened. Open the door carefully.**

### Interrupt a washing programme in progress

- Open the dishwasher door; the programme will stop. Close the door; the programme will start from the point at which it was interrupted.

### Cancel a delay start or a washing programme in progress

- Simultaneously press and hold the two function buttons **B** and **C** until all the programme lights come on.
- Cancelling a delay start will also cancel the washing programme. You have to select the washing programme again.

## Unloading the dishwasher

- Hot dishes are sensitive to knocks. The dishes should therefore be allowed to cool down before removing from the appliance.
- Empty the lower basket first and then the upper one; this will avoid water dripping from the upper basket onto the dishes in the lower one.
- Water may appear on the sides and the door of the dishwasher as the stainless


- If a new washing programme is to be selected, check that there is detergent in the detergent dispenser.

### End of the washing programme

- The dishwasher will automatically stop and an audible signal informs you of the end of the washing programme.
  1. Open the dishwasher door.
    - The digital display shows zero.
    - **End** indicator light is on.
  2. Switch of the dishwasher.
  3. Leave the dishwasher door ajar for a few minutes before removing the dishes; this way they will be cooler and the drying will be improved.






---

steel will eventually become cooler than the dishes.

 **When the washing programme has finished, it is recommended that the dishwasher is unplugged and the water tap turned off.**

## Washing programmes

### Washing programmes

| Programme   | Degree of soil       | Type of load                                     | Programme description   |
|---|----------------------|--|---|
| <br>Anti+bac <sup>1)</sup> | Heavy soil           | Crockery, cutlery, pots and pans                 | Prewash<br>Main wash<br>2 intermediate rinses<br>Final rinse<br>Drying                                      |
| <br>Auto <sup>2)</sup>     | Any                  | Crockery, cutlery, pots and pans                 | Prewash<br>Main wash<br>1 or 2 intermediate rinses<br>Final rinse<br>Drying                                 |
| <br>Quick <sup>3)</sup>    | Normal or light soil | Crockery and cutlery                             | Main wash<br>Final rinse  |
| <br>ECO <sup>4)</sup>      | Normal soil          | Crockery and cutlery                             | Prewash<br>Main wash<br>Final rinse<br>Drying   |
| <br>Rinse                  | Any.                 | Partial load (to be completed later in the day). | 1 cold rinse (to avoid food scraps from sticking).<br>This programme does not require the use of detergent. |

1) The 'Anti+bac' programme provides a sanitising final rinse.

2) During the 'Auto' washing programme the level of soiling on the dishes is determined by how cloudy the water is. The programme duration, water and energy consumption levels can vary; this depends upon whether the appliance is fully or partially loaded and if the dishes are lightly or heavily soiled. The temperature of the water is automatically adjusted between 50° C and 65° C.

3) Ideal for washing a partially loaded dishwasher. This is the perfect daily programme, made to meet the needs of a family of **4 persons** who only wish to load breakfast and dinner crockery and cutlery.


4) The 'ECO' programme is recommended to wash a full 12 place setting load of normally soiled dishes. It saves energy and water. Because it runs at a lower temperature, it is not suitable for heavily soiled wash loads. To save energy, dry performance is reduced so you have to open the door at the end of the wash cycle or even towel dry some dishes.

### Consumption values

| Programme         | Programme duration<br>(in minutes)<br>1) | Energy consumption<br>(in kWh) | Water consumption<br>(in litres) |
|-------------------|--|--------------------------------|----------------------------------|
| Anti+bac          | -  | 1,9 - 2,1                      | 23 - 25                          |
| Auto              | -  | 1,1 - 1,8                      | 12 - 25                          |
| Quick             | -  | 0,9                            | 9                                |
| ECO <sup>2)</sup> | -  | 0,8 - 0,88                     | 11 - 12                          |
| Rinse             | -  | 0,1                            | 4                                |

1) The digital display shows the programme duration.

2) Test programme for test institutes

 The consumption values are intended as a guide and depend on the pressure and the temperature of the water and also by

the variations of the power supply and the amount of dishes.

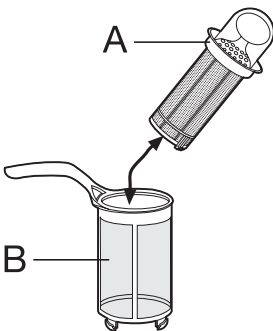
## Care and cleaning

### Cleaning the filters

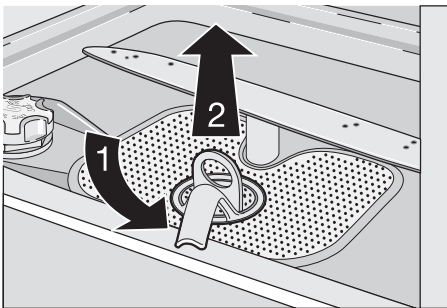
The filters must be checked and cleaned from time to time. Dirty filters will degrade the washing result.

**Warning!** Before cleaning the filters ensure that the machine is switched off.

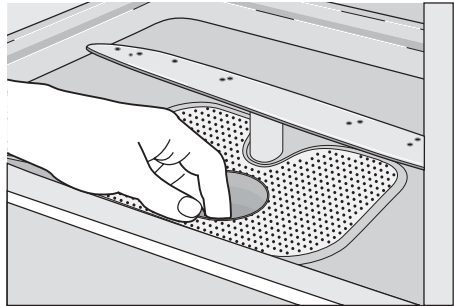
1. Open the door, remove the lower basket.
2. The dishwasher filter system comprises a coarse filter ( **A** ), a microfilter ( **B** ) and a flat filter. Unlock the filter system using the handle on the microfilter.



3. Turn the handle about 1/4 a turn anti-clockwise and remove the filter system



4. Take hold of the coarse filter ( **A** ) by the handle with the hole and remove from the microfilter ( **B** ).
5. Clean all filters thoroughly under running water.
6. Remove the flat filter from the base of the washing compartment and clean both faces thoroughly.



7. Put the flat filter back in the base of the washing compartment and ensure that it fits perfectly.
8. Place the coarse filter ( **A** ) in the microfilter ( **B** ) and press together.
9. Put the filter combination in place and lock by turning the handle clockwise to the stop. During this process ensure that the flat filter does not protrude above the base of the washing compartment.

**i** **NEVER use the dishwasher without filters. Incorrect repositioning and fitting of the filters will produce poor washing results and will result in damage to the appliance.**

**i** **NEVER try to remove the spray arms.**

If residues of soil have clogged the holes in the spray arms, remove the debris with a cocktail stick.

### External cleaning

Clean the external surfaces of the machine and control panel with a damp soft cloth. If necessary use only neutral detergents. Never use abrasive products, scouring pads or solvent (acetone, trichloroethylene etc...).

### Internal cleaning

Ensure that the seals around the door, the detergent and rinse aid dispensers are cleaned regularly with a damp cloth. We recommend every 3 months you run the wash programme for heavy soiled dishes using detergent but without dishes.

### Prolonged periods of non-operation

If you are not using the machine for a prolonged period of time you are advised to:



1. Unplug the appliance and then turn off the water.
2. Leave the door ajar to prevent the formation of any unpleasant smells.
3. Leave the inside of the machine clean.

### Frost precautions

Avoid placing the machine in a location where the temperature is below 0°C. If this is unavoidable, empty the machine, close the appliance door, disconnect the water inlet pipe and empty it.

### What to do if...

The appliance will not start or stops during operation.

Certain problems can be due to the lack of simple maintenance or oversights, which can be solved with the help of the indications described in the chart, without calling out a service technician.

- i** With the appliance door closed an intermittent audible signal informs you that a malfunction has occurred.

### Moving the machine

If you have to move the machine (moving house etc...):

1. Unplug it.
2. Turn the water tap off.
3. Remove the water inlet and discharge hoses.
4. Pull the machine out together with the hoses.

Avoid over tilting the machine during transportation.

Open the door and check which fault code the digital display shows. Switch off the appliance and carry out the suggested corrective actions given in the following chart. For fault codes not described in the chart, please contact your Customer Care Centre.

| Fault codes and malfunction   | Possible cause and solution   |
|---|---|
| <ul style="list-style-type: none"> <li>• continuous flashing of the running programme light</li> <li>• The digital display shows <b>10</b></li> </ul> <p><b>The dishwasher does not fill with water</b></p>                       | <ul style="list-style-type: none"> <li>• The water tap is blocked or furred with lime-scale.<br/>Clean the water tap.</li> <li>• The water tap is turned off.<br/>Turn the water tap on.</li> <li>• The filter (where present) in the water inlet hose is blocked.<br/>Clean the filter.</li> <li>• The water inlet hose has not been correctly laid or it is kinked or squashed.<br/>Check the water inlet hose connection.</li> </ul> |
| <ul style="list-style-type: none"> <li>• continuous flashing of the running programme light</li> <li>• The digital display shows <b>20</b></li> </ul> <p><b>The dishwasher will not drain</b></p>                                 | <ul style="list-style-type: none"> <li>• The sink spigot is blocked.<br/>Clean out the sink spigot.</li> <li>• The water drain hose has not been correctly laid or it is kinked or squashed.<br/>Check the water drain hose connection.</li> </ul>  |
| <ul style="list-style-type: none"> <li>• continuous flashing of the running programme light</li> <li>• The digital display shows <b>30</b> appears in the digital display</li> </ul> <p><b>Anti-flood device is activated</b></p> | <ul style="list-style-type: none"> <li>• Close the water tap and contact your Customer Care Centre.</li> </ul>  |

| Malfunction                                | Possible cause and solution  |
|--|--|
| <p><b>The programme does not start</b></p> | <ul style="list-style-type: none"> <li>• The dishwasher door has not been properly closed.<br/>Close the door.</li> <li>• The main plug is not plugged in.<br/>Insert the main plug</li> <li>• The fuse has blown out in the household fuse box.<br/>Replace the fuse.</li> <li>• Delay start has been set.<br/>If dishes are to be washed immediately, cancel the delay start.</li> </ul> |

Once these checks have been carried out switch on the appliance and close the door. The programme will continue from the point at which it was interrupted.

If the malfunction or fault code reappears contact your Customer Care Centre, quoting the model (Mod.), product number (PNC) and serial number (S.N.).

This information can be found on the rating plate located on the side of the dishwasher door.

So that you always have these numbers at hand, we recommend you to make a note of them here:

Mod. : .....  
 PNC : .....  
 S.N. : .....

| The wash results are not satisfactory  |   |
|--|---|
| <p><b>The dishes are not clean</b></p>   | <ul style="list-style-type: none"> <li>• The wrong washing programme has been selected.</li> <li>• The dishes are arranged in such a way as to stop water reaching all parts of the surface. The baskets must not be overloaded.</li> <li>• The spray arms do not rotate freely due to incorrect arrangement of the load.</li> <li>• The filters in the base of the washing compartment are dirty or incorrectly positioned.</li> <li>• Too little or no detergent has been used.</li> <li>• The drain hose connection is not correct.</li> </ul> |
| <p><b>The dishes are wet and dull</b></p>  | <ul style="list-style-type: none"> <li>• Rinse aid was not used.</li> <li>• The rinse aid dispenser is empty.</li> </ul>  |
| <p><b>There are streaks, milky spots or a bluish coating on glasses and dishes</b></p> | <ul style="list-style-type: none"> <li>• Decrease rinse aid dosage.</li> </ul>  |
| <p><b>Water drops have dried onto glasses and dishes</b></p>                           | <ul style="list-style-type: none"> <li>• Increase rinse aid dosage.</li> <li>• The detergent may be the cause. Contact the detergent manufacturer consumer care line.</li> </ul>  |

If after all these checks, the problem persists, contact your Customer Care Centre.

## Technical data

|  |   |                   |
|--|---|-------------------|
| Dimensions   | Width   | 59,6 cm           |
|  | Height  | 82 - 88 cm        |
|  | Depth   | 58 cm             |
| Electrical connection - Voltage - Overall power - Fuse | Information on the electrical connection is given on the rating plate on the inner edge of the dishwasher door. |                   |
| Water supply pressure                                  | Minimum   | 50 kPa (7 psi)    |
|  | Maximum cold water  | 800 kPa (116 psi) |
|  | Maximum hot water   | 350 kPa (51 psi)  |
| Capacity   | Place settings  | 12                |

## Hints for test institutes

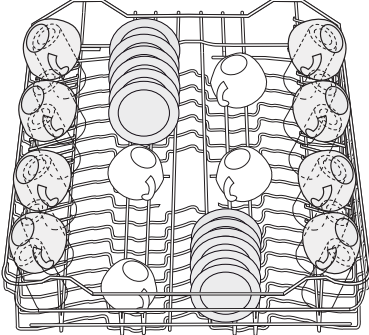
Testing in accordance with **AS/NZS 2007** must be carried out with appliance fully loaded and using the test programme ( refer to 'Washing programmes' - 'Consumption values' ).

The rinse aid dispenser must be filled and the door must be opened at the end of cycle for 30 minutes for drying assessment.

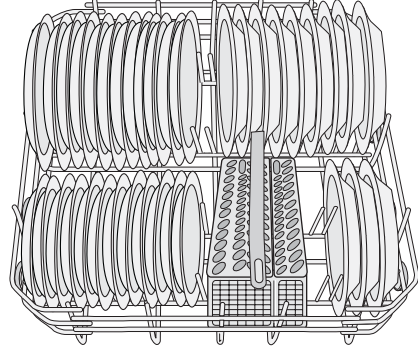
### Full load: 12 standard place settings

|                               |                               |
|-------------------------------|-------------------------------|
| Amount of detergent required: | 10 g + 20 g ( <b>AS/NZS</b> ) |
| Rinse aid setting             | position 4 ( <b>AS/NZS</b> )  |

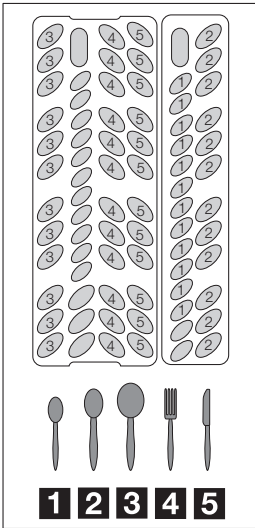
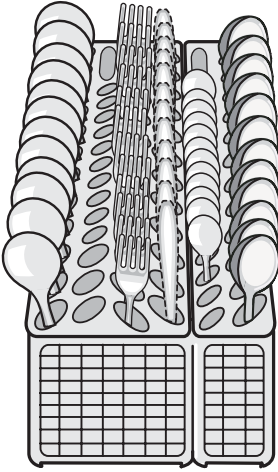
### Arrangement upper basket



### Arrangement lower basket



### Arrangement cutlery basket



### Installation

**Warning!** ANY ELECTRICAL AND/OR PLUMBING WORK REQUIRED TO INSTALL THIS APPLIANCE MUST BE CARRIED OUT BY A QUALIFIED ELECTRICIAN AND/OR PLUMBER OR COMPETENT PERSON.

During all operations that involve accessibility to internal components the appliance must be unplugged.

When inserting the appliance, ensure that the water inlet hose, the drain hose and the mains cable are not kinked or squashed.

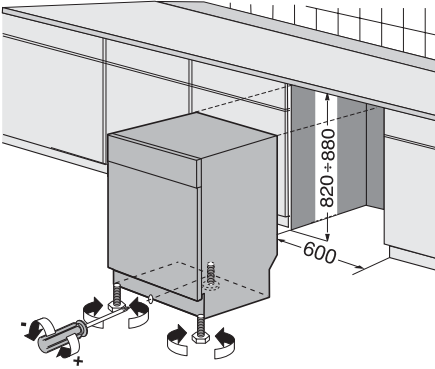
Remove all packaging before positioning the appliance.

If possible, position the appliance next to a water tap and a drain.

## Building-in

This appliance must be fitted under a kitchen counter or work surface.

The dimensions of the recess must be the same as shown in the figure.



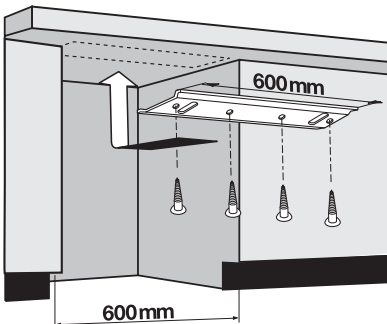
No further openings for the venting of the appliance are required, but only to let the water inlet hose, the drain hose and the mains cable pass through.

The appliance is fitted with adjustable feet (max. 60 mm) so the height of the recess can vary between 820 mm and 880 mm from the floor.

Leave a space of 2 mm between the top of the appliance and the underside of the kitchen counter.

## Steam protection

Fit the steam protection onto the front part of the work top using the screws provided.



## Adjusting the height of the appliance

It is important that the appliance absolutely stands level so that the door closes and seals properly.

If the appliance is not perfectly level the door will catch on the levelling spacers on the right and left side of the cabinet.

Turn the adjustable feet to the left or the right until the appliance stands level.

### To adjust the height proceed as follows:

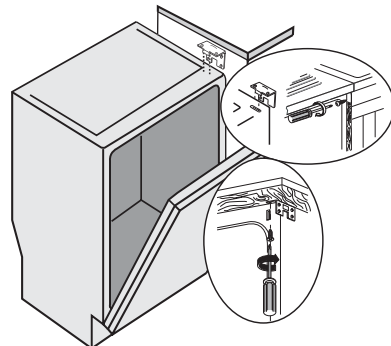
1. Remove the adjustable plinth.
2. Adjust the height of the 2 front feet.
3. Adjust the rear foot by turning the screw in the middle of the front kick plate to the left or to the right.
4. Replace the adjustable plinth.

## Fix to the adjacent units

**Warning!** THE APPLIANCE MUST BE SECURED UNDER THE WORK TOP OR TO THE ADJACENT UNITS USING THE SUPPLIED BRACKETS. FAILURE TO DO THIS WILL CAUSE INJURY OR DAMAGE.

1. Locate the supplied angular brackets in the slots on the top of the appliance.
2. Adjust the height of the appliance.
3. Secure the appliance in position (upwards or sideways) by using the supplied screws. Make sure the screws are tightened.

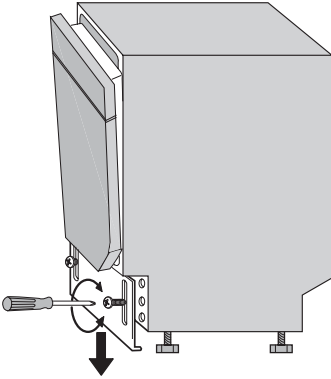
**Caution!** Do not secure the brackets upwards if the top of the appliance is not within 2 mm of the underside of the work top.



**Caution!** Never drill holes through the sides of the appliance. This will cause damage to the hydraulic components.

## Adjustment of the plinth

Space at the bottom of the appliance can be covered by lowering the plinth.



## Water connection

### Water inlet connection

This dishwasher may be fed with either hot (max. 60°) or cold water. However a hot water supply is not always efficient with heavily soiled crockery as it shortens the washing programmes a lot. Therefore we recommend connection to a cold water supply.

The water coupling nut fitted to the appliance water inlet hose is designed to screw onto a 3/4" BSP thread spout.

The water pressure must be within the limits given in the 'Technical data'. Your local Water Authority will advise you on the average mains pressure in your area.

A water temperature tempering-valve must be installed when the dishwasher is likely to be connected to a solar hot water system, drip heater, or any other supply where temperatures in excess of 60° are anticipated.

A pressure reducing valve must be fitted if the hot water supply pressure exceeds 350 kPa or the cold water supply pressure exceeds 800 kPa.

The water inlet hose must not be kinked, crushed, or entangled when it is being connected.

The dishwasher features inlet and drain hoses which can be turned either to the left or the right to suit the installation by means of the locknut. **The locknut must be correctly fitted to avoid water leaks.**

**i** Always use a new hose-set when connecting the appliance to the water mains. An old hose-set must not be reused. The water inlet hose should be inspected every 12 months for deterioration and replaced if necessary.

**i** This appliance has been fitted with safety features which will prevent the water used in the appliance from returning back into the drinking water system. This appliance complies with the applicable plumbing regulations.

### Water inlet hose with safety valve

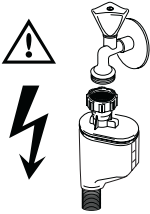
After connecting the double-walled water inlet hose, the safety valve is next to the tap. Therefore the water inlet hose is only under pressure while the water is running. If the water inlet hose starts to leak during this operation, the safety valve cuts off the running water.

Please take care when installing the water inlet hose:

- The electrical cable for the safety valve is in the double-walled water inlet hose. Do not immerse the water inlet hose or the safety valve in water.
- If water inlet hose or the safety valve is damaged, remove the mains plug immediately.

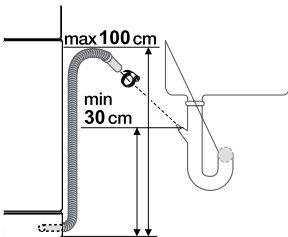
- A water inlet hose with safety valve must only be replaced by the Customer Care Centre.

**Warning!** Dangerous voltage

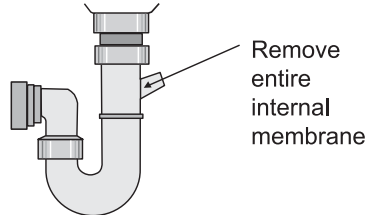


### Water drain connection

- Connect the water drain hose to the sink. Secure it with the supplied hose clamp.
- Required height: 30 to 100 cm above bottom of the dishwasher.
- If you use a drain hose extension the total length must be no longer than 4 metres. Likewise the internal diameter of the couplings used for connections to the waste outlet must be no smaller than the diameter of the hose provided. Ensure the drain hose is not bent or squashed as this could prevent or slow down the discharge of water.



When connecting the drain hose to an under sink trap spigot, **the entire plastic membrane must be removed.** Failure to remove all the membrane will result in food particles building up over time eventually blocking the appliance drain hose spigot



- i** Our appliances are supplied with a security device to protect against the return of dirty water back into the machine. If the spigot of your sink has a 'no return valve' incorporated this can prevent the correct draining of your dishwasher. We therefore advise you to remove it.
- i** To avoid water leakage after installation make sure that the water couplings are tight.

### Electrical connection

- Warning!** Safety standards require the appliance to be earthed. Prior to using the appliance for the first time, ensure that the rated voltage and type of supply on the rating plate match that of the supply where the appliance is to be installed. The electrical rating data is also to be found on the rating plate. Always plug the mains plug into a correctly installed shockproof socket.

**Multi-way plugs, connectors and extension cables must not be used. This could constitute a fire hazard through overheating. If necessary, have the domestic wiring system socket replaced. In case that the mains cable has to be replaced, contact your Customer Care Centre. The plug must be accessible after the appliance has been installed.**

**Never unplug the appliance by pulling on the cable. Always pull the plug.**


**The manufacturer accepts no liability for failure to observe the above safety precautions.**

## Environment concerns

---

### Packaging material

The packaging materials are environmentally friendly and can be recycled. The plastic components are identified by markings, e.g. >PE<, >PS<, etc. Please dispose of the packaging materials in the appropriate container at the community waste disposal facilities.

 **Warning!** When a unit is no longer being used:

- Pull the plug out of the socket.
- Cut off the cable and plug and dispose of them.
- Dispose of the door catch. This prevents children from trapping themselves inside and endangering their lives.

### Old appliance

This appliance must be handed over to the applicable collection point for recycling. Ensure that this product is disposed of correctly. You will help prevent potential negative consequences for the environment and human health, which could otherwise be caused by inappropriate waste handling of this product.

For more detailed information about recycling of this product, please contact your local city office, your household waste disposal service or the shop where you purchased the product.



## Warranty

FOR SALES IN AUSTRALIA AND NEW ZEALAND

**This document sets out the terms and conditions of product warranties for Electrolux branded appliances. It is an important document. Please keep it with your proof of purchase documents in a safe place for future reference should you require service for your Electrolux appliance. General Terms and Conditions**

1. In this warranty
  - Electrolux' means Electrolux Home Products Pty Ltd ABN 51 004 762 341 in respect of Appliances purchased in Australia and Electrolux (NZ) Limited in respect of Appliances purchased in New Zealand;
  - 'Appliance' means any Electrolux product purchased by you accompanied by this document;
  - 'Warranty Period' means
    - i) where you use the Appliance for personal, domestic or household purposes in Australia the period of 24 months and in New Zealand the period of 24 months;
    - ii) where you use the Appliance for commercial purposes, in Australia the period of 3 months and in New Zealand the period of 3 months, (if the period stated is 0 months you are not covered by this product warranty) following the date of original purchase of the Appliance;
  - 'you' means the purchaser of the Appliance not having purchased the appliance for re-sale, and 'your' has a corresponding meaning.
2. This warranty only applies to Appliances purchased and used in Australia or New Zealand and is in addition to (and does not exclude, restrict, or modify in any way) any non-excludable statutory warranties in Australia or New Zealand.
3. Electrolux warrants that, when dispatched from an Electrolux warehouse, the Appliance is free from defects in materials and workmanship for the Warranty Period.
4. During the Warranty Period Electrolux or its Authorised Service Centre will, at no extra charge if your appliance is readily accessible without special equipment, and subject to these terms and conditions, repair or replace any parts which it considers to be defective. You agree that any replaced Appliances or parts become the property of Electrolux. This warranty does not apply to light globes, batteries, filters or similar perishable parts.
5. Parts and Appliances not supplied by Electrolux are not covered by this warranty.
6. Where you are within an Electrolux service area, this warranty covers the cost of transport of the Appliance to and from Authorised Service Centres of Electrolux and travelling costs for representatives of the Authorised Service Centre to and from your home or business. If you are outside an Electrolux service area, you will bear these costs. For information about whether you are within an Electrolux service area, please phone 13 13 49 in Australia, or 0800 10 66 10 in New Zealand.
7. Proof of purchase is required before you can make a claim under this warranty.
8. You may not make a claim under this warranty unless the defect claimed is due to faulty or defective parts or workmanship. Electrolux is not liable in the following situations (which are not exhaustive):
  - The Appliance is damaged by
    - i) accident
    - ii) misuse or abuse, including failure to properly maintain or service
    - iii) normal wear and tear
    - iv) power surges, electrical storm damage or incorrect power supply
    - v) incomplete or improper installation
    - vi) incorrect, improper or inappropriate operation
    - vii) insect or vermin infestation.
  - The Appliance is modified without authority from Electrolux in writing.
  - The Appliance's serial number or warranty seal has been removed or defaced.

- The Appliance was serviced or repaired by anyone other than Electrolux or its Authorised Service Centres.
9. This warranty, the contract to which it relates and the relationship between you and Electrolux are governed by the law applicable in the Australian State where the Appliance was purchased or the law applicable in New Zealand if the Appliance was purchased in New Zealand. Where the Appliance was purchased in New Zealand for business purposes the Consumer Guarantee Act does not apply.

**Limitation of Liability**

10. To the extent permitted by law:
- Electrolux excludes all warranties other than as contained in this document;
  - Electrolux shall not be liable for any loss or damage whether direct or indirect or consequential arising from your purchase, use or non-use of the Appliance.
11. Provisions of the Trade Practices Act and State consumer legislation in Australia, and the Consumer Guarantees Act, the Sale of Goods Act and the Fair Trading Act in New Zealand, imply warranties or conditions, or impose obligations, upon Electrolux which cannot be excluded, restricted or modified. To the extent permitted by law, the liability of Electrolux (if any) arising out of or in re-

lation to the Appliance or any services supplied by Electrolux shall be limited (where it is fair and reasonable to do so),:

- in the case of Appliances, at its option, to the replacement or repair of the Appliances or the supply of equivalent products or the payment of the cost of replacing the Appliances or having the Appliances repaired or of acquiring equivalent Appliances. Upon being replaced, parts and Appliances become the property of Electrolux; or
  - in the case of services, at its option, to the supply of the services again or the payment of the cost of having the services re-supplied;
- and in the case of Appliances or services supplied in New Zealand, loss or damage whether direct or indirect or consequential that is reasonably foreseeable.

**Privacy**

You acknowledge that in the event that you make a warranty claim it will be necessary for Electrolux and its Authorised Service Centres to exchange information in relation to you to enable Electrolux to meet its obligations under this warranty.

**Important Notice**

Before Calling a Service Technician please check carefully the operating instructions, service booklet and the warranty terms and conditions.

**FOR SERVICE**

OR TO FIND THE ADDRESS OF YOUR NEAREST STATE SERVICE CENTRE IN AUSTRALIA

**Please call 13 13 4 9**

For the cost of a local call (Australia only)

**SERVICE AUSTRALIA**

**ELECTROLUX HOME PRODUCTS**

**FOR SPARE PARTS**

OR TO FIND THE ADDRESS OF YOUR NEAREST STATE SPARE PARTS CENTRE IN AUSTRALIA

**Please call 13 13 50**

For the cost of a local call (Australia only)

**FOR SERVICE**

OR TO FIND THE ADDRESS OF YOUR NEAREST AUTHORISED SERVICE CENTRE IN NEW ZEALAND

**Free call 0800 10 66 10**

**SERVICE NEW ZEALAND**

**ELECTROLUX HOME PRODUCTS**

**FOR SPARE PARTS**

OR TO FIND THE ADDRESS OF YOUR NEAREST SPARE PARTS CENTRE IN NEW ZEALAND

**Free call 0800 10 66 20**



[www.electrolux.com](http://www.electrolux.com)

[www.electrolux.com.au](http://www.electrolux.com.au)